

MICRO SWITCH
 FREEPORT, N.Y. U.S.A.
 A DIVISION OF HONEYWELL
 FED. MFG. CODE 91929

SWITCH — ENCLOSED

CATALOG LISTING
221CH55-RB

M
221CH55-RB

M

DRAWING
 NUMBER

A

ISSUE
5

REPLACES

RELEASE NO. PR-8632

CHECK

CHECK

CHECK

CHECK

CHECK

CHECK

CHECK

CHECK

CHECK

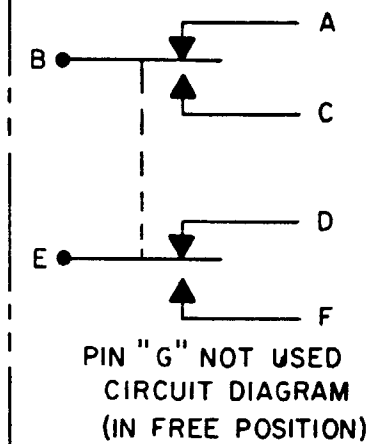
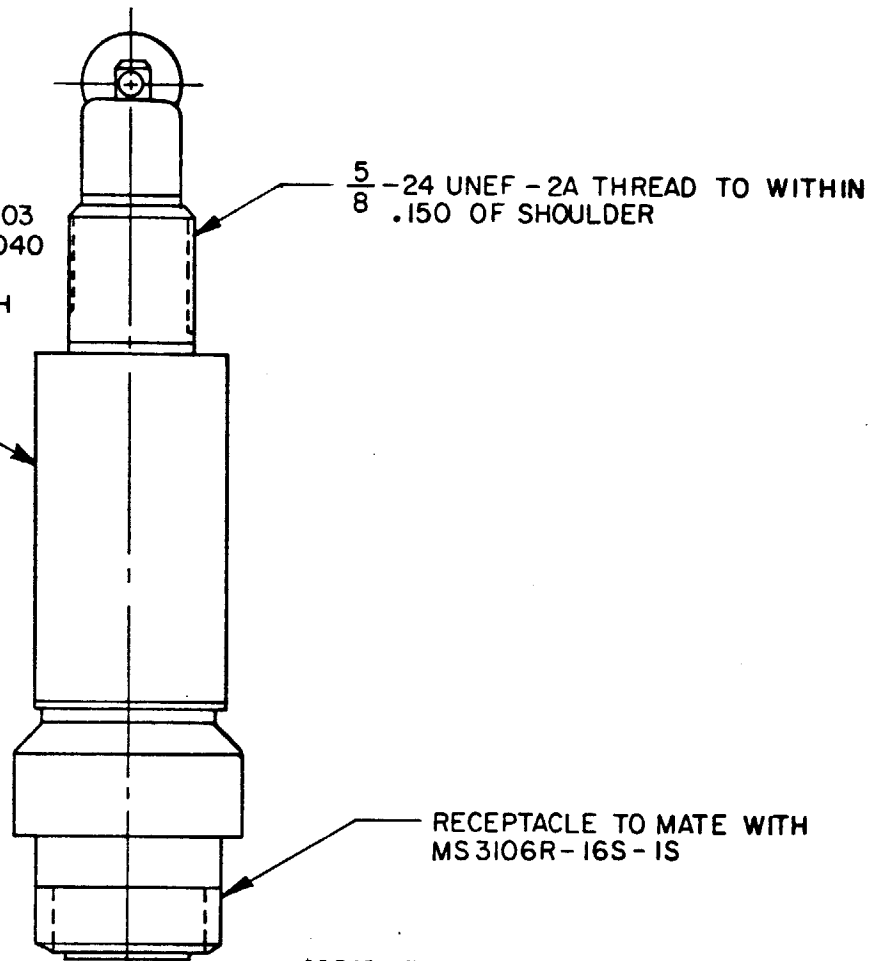
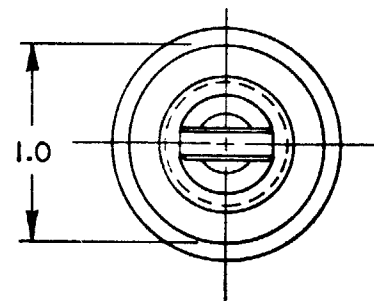
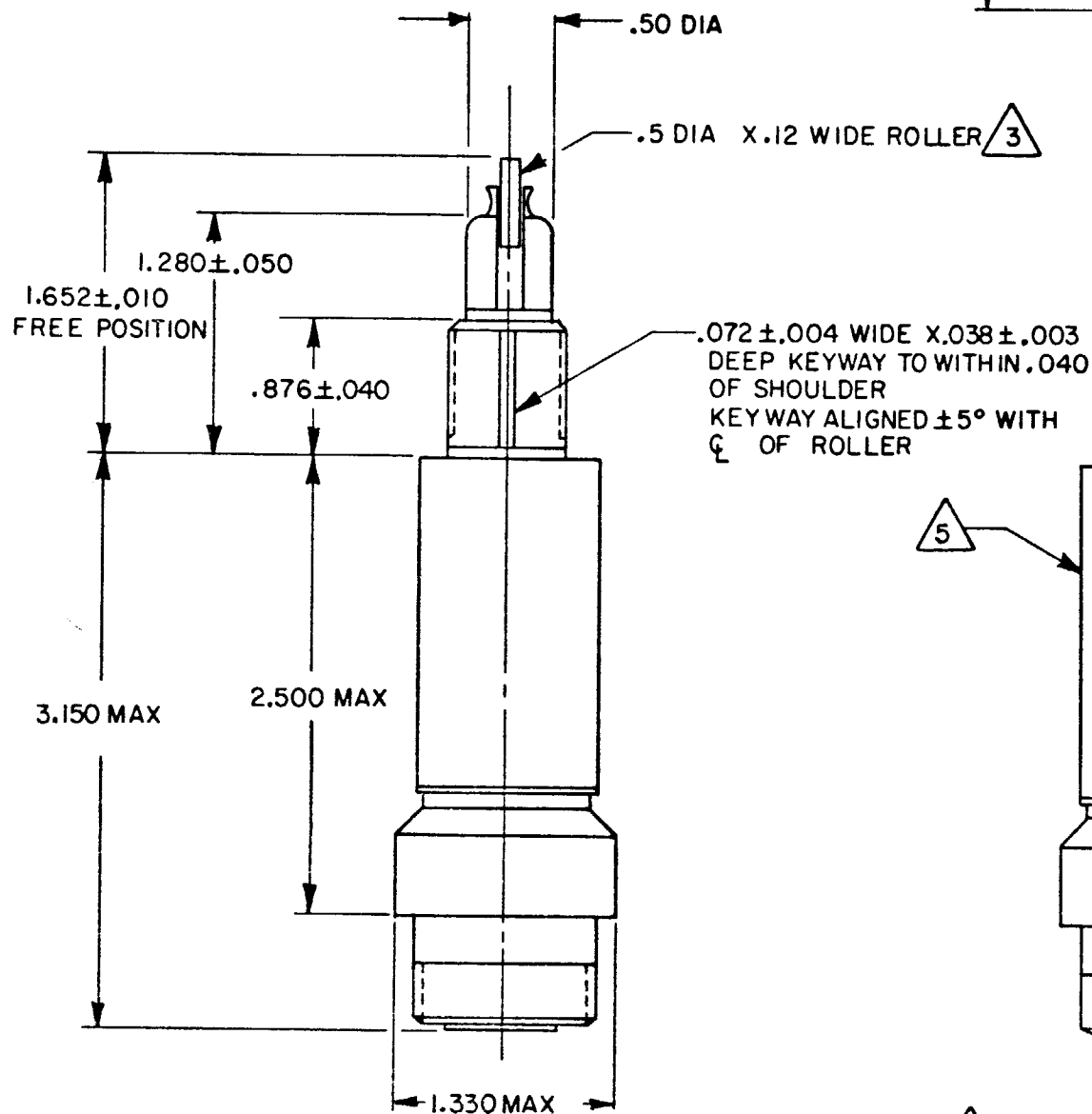
CHECK

CHECK

CHECK

CHECK

CHECK



REVISIONS

A	CO44351
S	L B
10	JAN 79
B	CO46978
R	J H
12	DEC 79
C	PR-8632
G	J W
9	APR 80

THIS DRAWING COVERS A PROPRIETARY ITEM AND IS THE PROPERTY OF MICRO SWITCH, A DIVISION OF HONEYWELL. THIS DRAWING IS NOT TO BE COPIED OR USED WITHOUT THE APPROVAL OF MICRO SWITCH.

THIRD ANGLE PROJECTION

SCALE FULL

DO NOT SCALE PRINT

CHARACTERISTICS	
OPERATING FORCE	3 - 6 LB MAX
FULL OVERTRAVEL FORCE	7 LB MAX
RELEASE FORCE	1 LB MIN
PRETRAVEL	.040 MAX
DIFFERENTIAL TRAVEL	.020 MAX
OVERTRAVEL	.250 MIN

ELECTRICAL DATA		
CONTACT ARRANGEMENT SEE CIRCUIT DIAGRAM		
LOAD	28 VDC	
	SEA LEVEL	50,000 FT.
RES	4	4
IND	2	2
MOTOR	4	

TOLERANCES			
APPLY TO DESIGN UNITS. CONVERSIONS ARE ONLY FOR REFERENCE. UNLESS NOTED, TOLERANCES ARE:			
DIM.	IN	MM	FIN.
NO. PLACES	X	1/64	0.001
ONE PLACE	X,X	0.0016	0.002
TWO PLACES	X,XX	0.00016	0.0002
THREE PLACES	X,XXX	0.000016	0.00002
AND ES			

DESIGN UNITS SI METRIC US CUSTOMARY

RAW MATERIAL - COMMERCIAL STANDARD
 MICRO SWITCH STANDARDS APPLY
 DIMENSIONS ARE TO BE MET BEFORE
 PROTECTIVE COATINGS ARE APPLIED

WEIGHT 7 OZ MAX

NOTES

- 1 - SWITCH SEALED PER MIL-S-8805 SYMBOL 3
- 2 - ALL EXPOSED PARTS ARE CORROSION RESISTANT
- 3 - ROLLER WILL ROTATE FREELY
- 4 - UNIT WILL WITHSTAND CONTINUOUS TEMPERATURE OF +300°F
- 5 - CATALOG LISTING, CIRCUIT DIAGRAM AND MICRO IDENTIFICATION PERMANENTLY MARKED ON SIDE OF SWITCH IN ACCORDANCE WITH DACO SPEC. 7958527
- 6 - KEYWAY IN BUSHING AND POLARIZING KEY OF RECEPTACLE ARE ALIGNED
- 7 - COINCIDENCE OF OPERATING AND RELEASING POINTS: .010 OF PLUNGER TRAVEL
- 8 - PLUNGER SEAL MATERIAL - VITON A

FO-5281-A

DRAWN

S L B 10 JAN 79