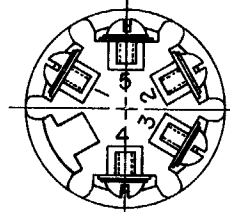
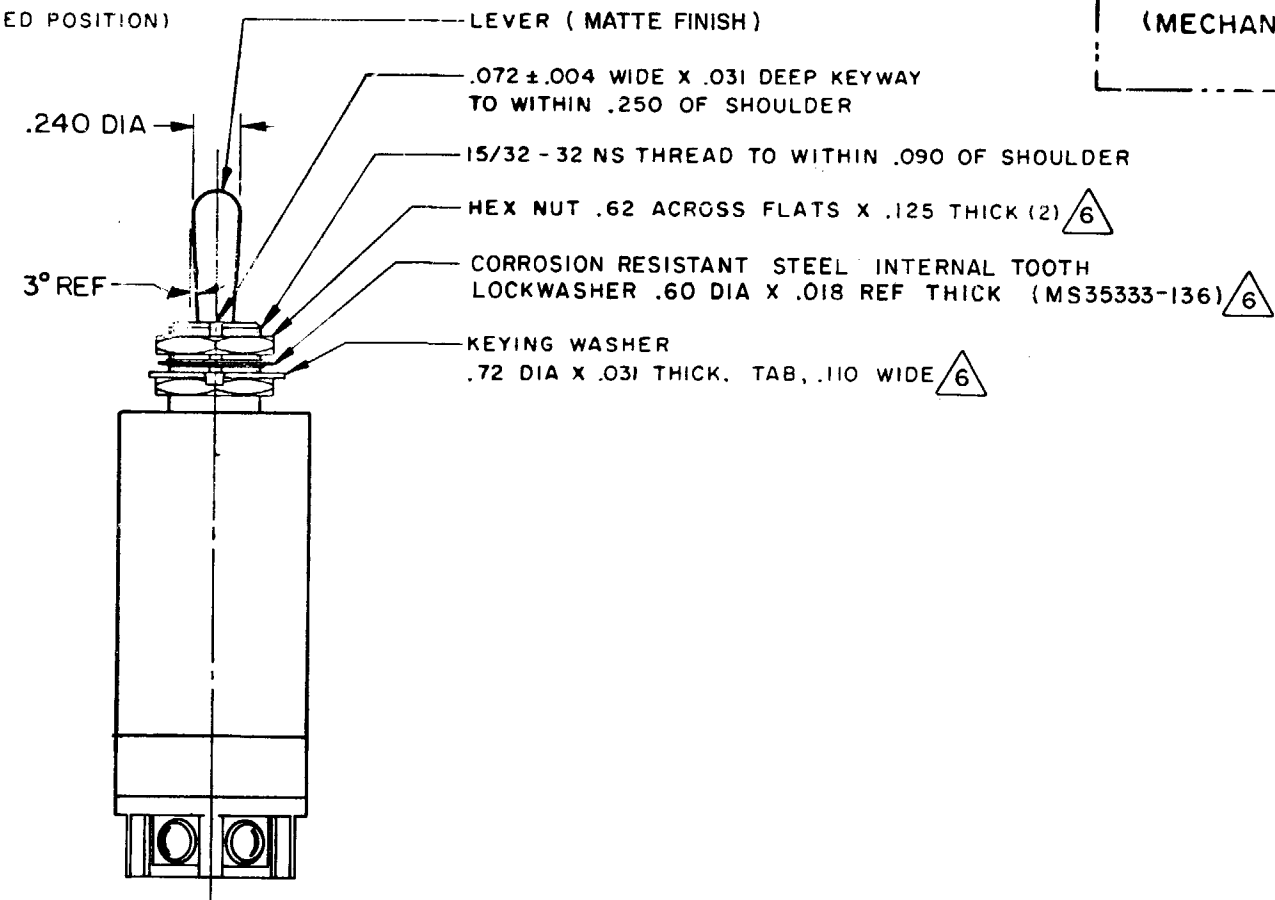
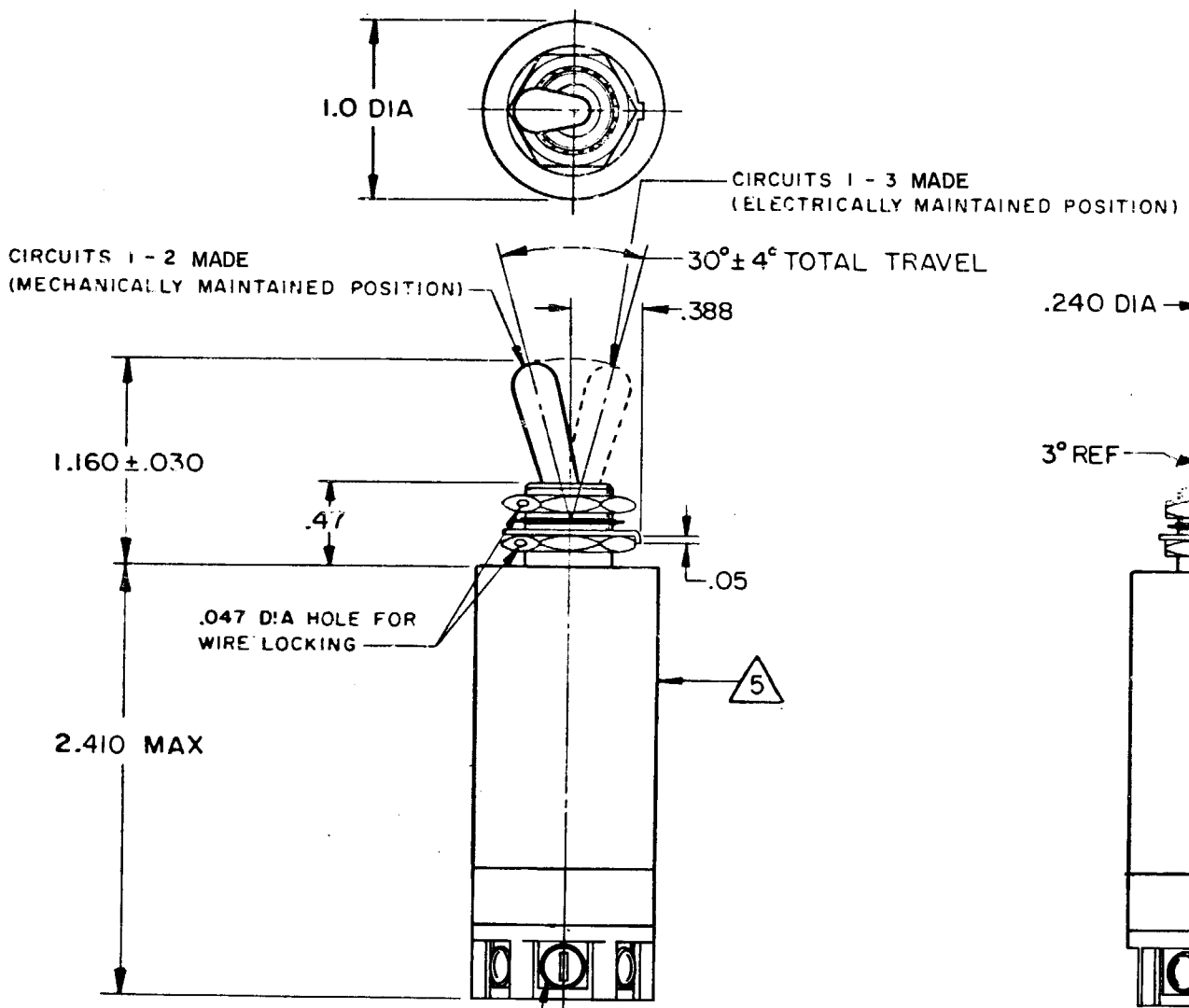
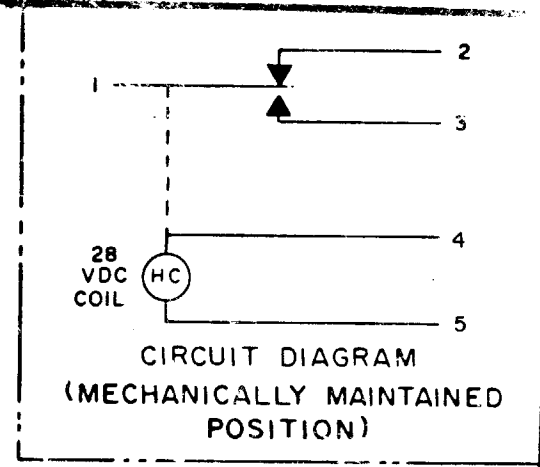


**SWITCH - TOGGLE
 (MAGNETIC HOLD-IN)**

CATALOG LISTING
25ET1-S



NOTES

- 1 - EXPOSED PARTS ARE OF CORROSION RESISTANT MATERIAL OR ARE SUITABLY PROTECTED TO PREVENT CORROSION, ENCLOSURE FINISHED WITH BLUE EPOXY BASED ENAMEL COLOR NO. 25184 PER FEDERAL STANDARD 595
- 2 - SWITCH SEALED PER MIL-S-5594
- 3 - HOLD IN VOLTAGE: THE MINIMUM SPECIFIED VOLTAGE AT WHICH THE LEVER WILL REMAIN ACTUATED; HOLD IN MAY OCCUR AT A LOWER VALUE. DROP OUT VOLTAGE THE VOLTAGE RANGE IN WHICH THE LEVER WILL BE RELEASED
- 4 - CIRCUITS CAN BE TRANSFERRED MANUALLY. ENERGIZING THE COIL WILL NOT CAUSE TRANSFER OF CIRCUITS
- 5 - CIRCUIT IDENTIFICATION IS SHOWN ON SWITCH
- 6 - HARDWARE MAY BE FURNISHED UNASSEMBLED PER MIL-S-5594

25ET1-S
 M
 DRAWING NUMBER
 X 8
 ISSUE
 X 4
 REVISIONS
 A C032637
 D B W
 8 NOV 73
 B CO
 50162
 WJM
 24 SEP 81
 C CO
 53402
 T M M
 14 APR 84
 R C R 7 SEPT 71 CHECK DAW 18 SEPT 71 CHECK CMA 20 SEPT 71 CHECK
 0-80378-002
 DRAWN
 R C R 7 SEPT 71 CHECK DAW 18 SEPT 71 CHECK CMA 20 SEPT 71 CHECK
 RELEASE NO. PR-2240-T
 REPLACES

THIS DRAWING COVERS A PROPRIETARY ITEM AND IS THE PROPERTY OF MICRO SWITCH, A DIVISION OF MINNEAPOLIS-HONEYWELL REGULATOR CO. THIS DRAWING IS NOT TO BE COPIED OR USED WITHOUT THE APPROVAL OF MICRO SWITCH.

CHARACTERISTICS		ELECTRICAL DATA		SCALE FULL	
SOLENOID RATING AT 20° C		CONTACT ARRANGEMENT SPDT		DO NOT SCALE PRINT	
STEADY STATE LIMITS	20-29 VDC	RATING IN AMPERES		UNLESS OTHERWISE NOTED	
HOLD IN	10 VDC	SEA LEVEL 65,000 FT		DIMENSIONS ARE IN INCHES	
DROP OUT	0-10 VDC	INRUSH RES IND MOTOR		TOLERANCES ARE:	
COIL RESISTANCE	220 OHM MIN	4 3 4	4 2.5 4	ONE PLACE (.0) ±.030	
OPERATING FORCE	7 LBS MAX			TWO PLACE (.00) ±.015	
OVERRIDE FORCE AT 29 VDC	10 LBS MAX			THREE PLACE (.000) ±.005	
				ANGLES ±	
				WEIGHT 4.0 OZ MAX	