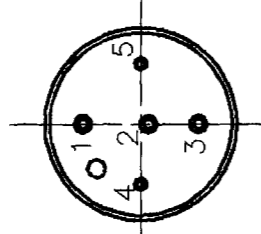
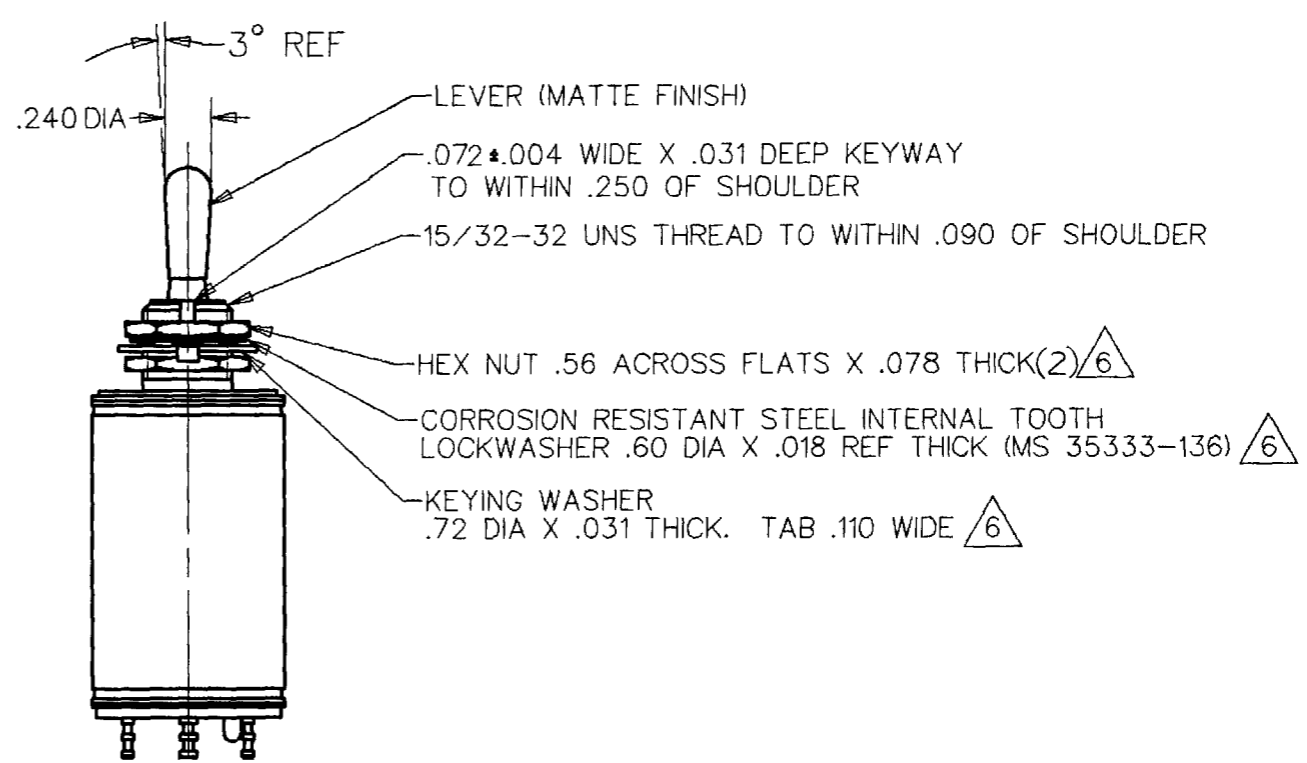
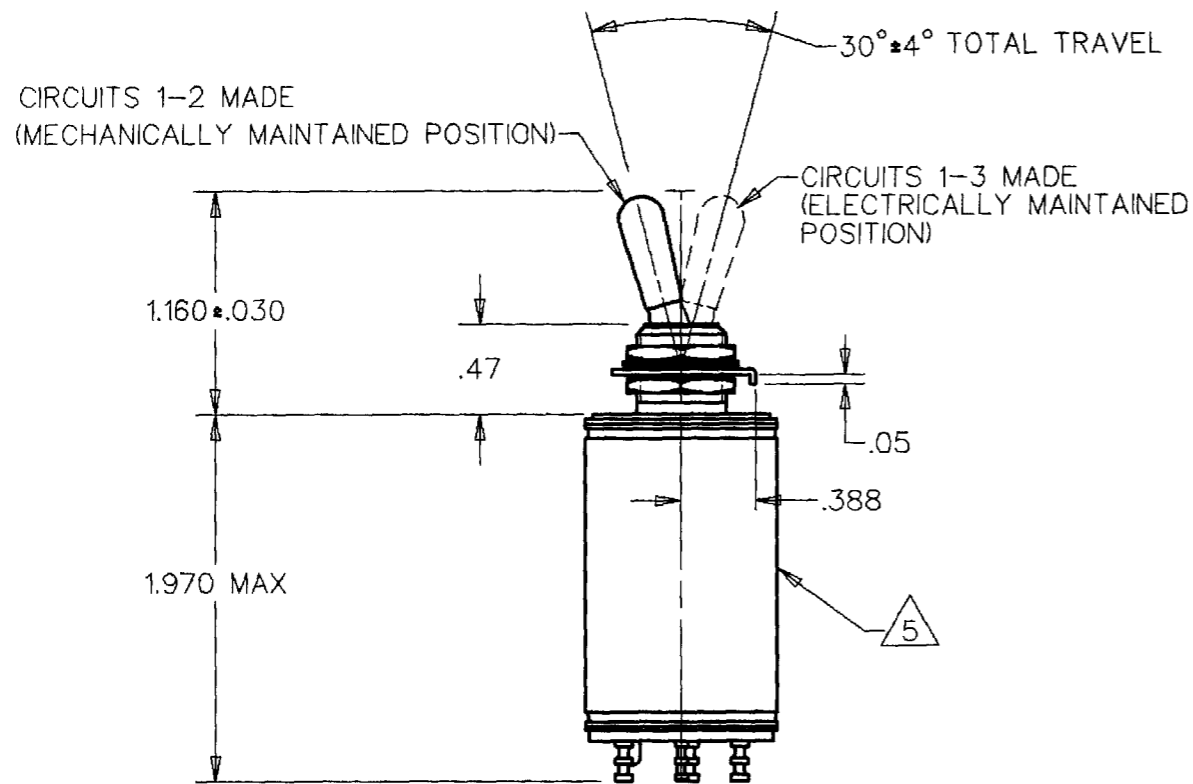
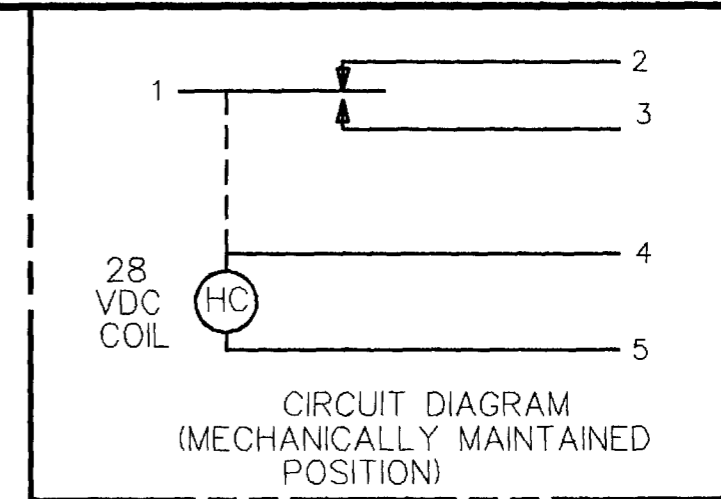
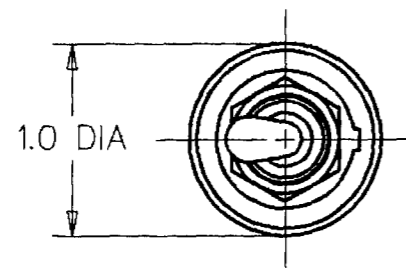


MICRO SWITCH
 FREEPORT, ILLINOIS, U. S. A.
 A DIVISION OF HONEYWELL
 FED. MFG. CODE 91929

**SWITCH - TOGGLE
 (MAGNETIC HOLD-IN)**

CATALOG LISTING
25ET11



- NOTES
- 1 - EXPOSED PARTS ARE OF CORROSION RESISTANT MATERIAL OR ARE SUITABLY PROTECTED TO PREVENT CORROSION, ENCLOSURE FINISHED WITH BLUE EPOXY BASED ENAMEL COLOR NO. 25184 PER FEDERAL STANDARD 595
 - 2 - SWITCH SEALED PER MIL-S-5594
 - 3 - HOLD IN VOLTAGE: THE MINIMUM SPECIFIED VOLTAGE AT WHICH THE LEVER WILL REMAIN ACTUATED. HOLD IN MAY OCCUR AT A LOWER VALUE. DROP OUT VOLTAGE: THE VOLTAGE RANGE IN WHICH THE LEVER WILL BE RELEASED
 - 4 - CIRCUITS CAN BE TRANSFERRED MANUALLY. ENERGIZING THE COIL WILL NOT CAUSE TRANSFER OF CIRCUITS
 - 5 - CIRCUIT IDENTIFICATION IS SHOWN ON SWITCH HARDWARE MAY BE FURNISHED UNASSEMBLED PER MIL-S-5594
 - 6 -

25ET11
 PAGE 1 OF 1
 M
 DRAWING NUMBER
 9
 ISSUE
 REVISIONS
 A CO 61410
 D J S 29 JUN 88
 B 204819
 G J W JAN 02
 CHECK MAM 30 JUN 88
 DRAWN D J S 29 JUN 88
 RASTER

THIS DRAWING COVERS A PROPRIETARY ITEM AND IS THE PROPERTY OF MICRO SWITCH, A DIVISION OF HONEYWELL. THIS DRAWING IS NOT TO BE COPIED OR USED WITHOUT THE APPROVAL OF MICRO SWITCH		SCALE FULL
DO NOT SCALE PRINT		
CHARACTERISTICS 3		TOLERANCES <small>APPLY TO DESIGN UNITS. CONVERSIONS ARE ONLY FOR REFERENCE. UNLESS NOTED, TOLERANCES ARE ±</small>
SOLENOID RATING AT 20° C		ONE PLACE (.01) ±.030
STEADY STATE LIMITS	20-29 VDC	TWO PLACES (.00) ±.015
HOLD IN	15 VDC	THREE PLACES (.000) ±.005
DROP OUT	0-15 VDC	ANGLES ±
COIL RESISTANCE	220 OHM MIN	RAW MATERIAL-COMMERCIAL STANDARD
OPERATING FORCE	7 LBS MAX	THIRD ANGLE PROJECTION
VERRIDE FORCE AT 28 VDC	24-160 OZ.	WEIGHT 4.0 OZ MAX
ELECTRICAL DATA		
CONTACT ARRANGEMENT SPDT		
RATINGS IN AMPHERES		
VOLTAGE	SEA LEVEL	65,000 FT
	INRUSH RES IND MOTOR INRUSH RES IND MOTOR	
28 VOLTS DC	4 3 4	4 2.5 4