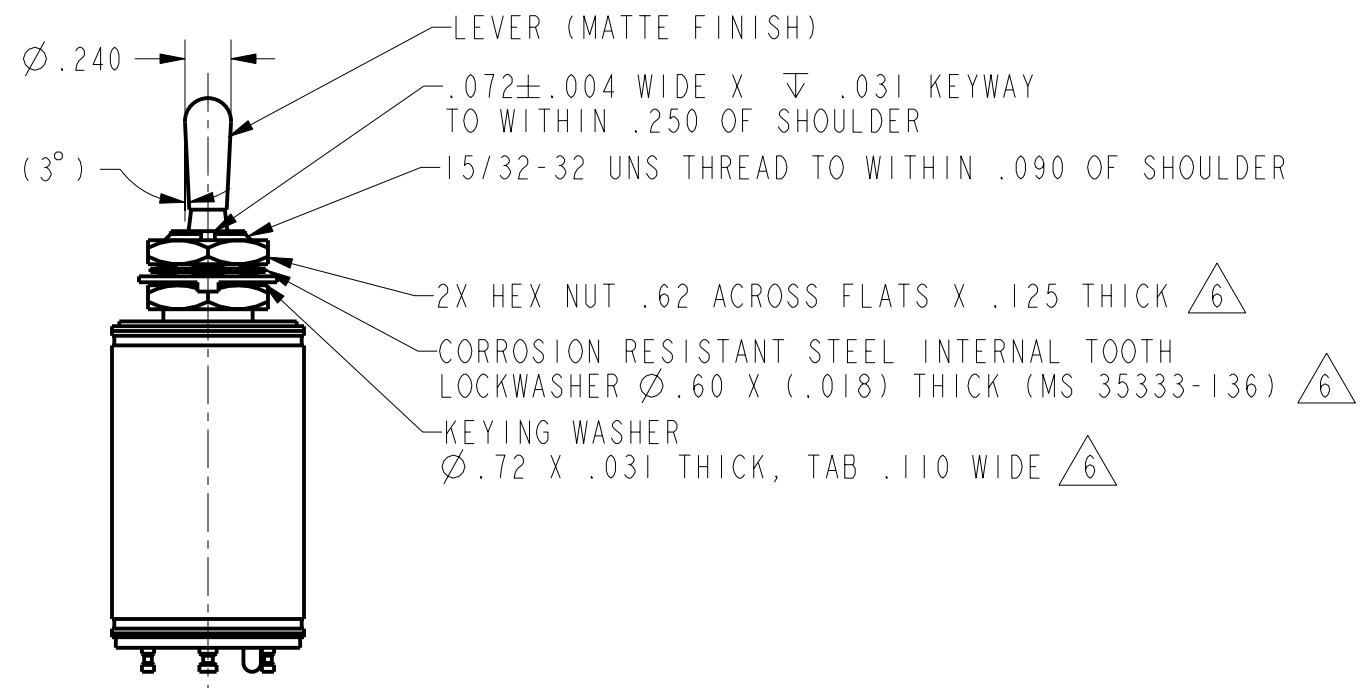
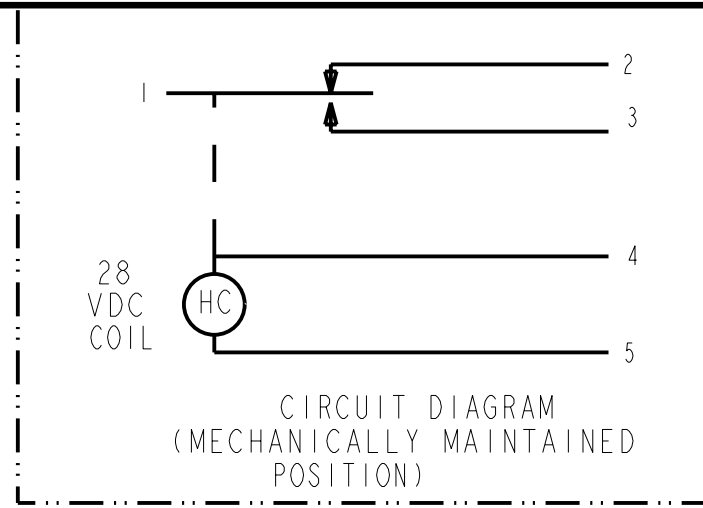
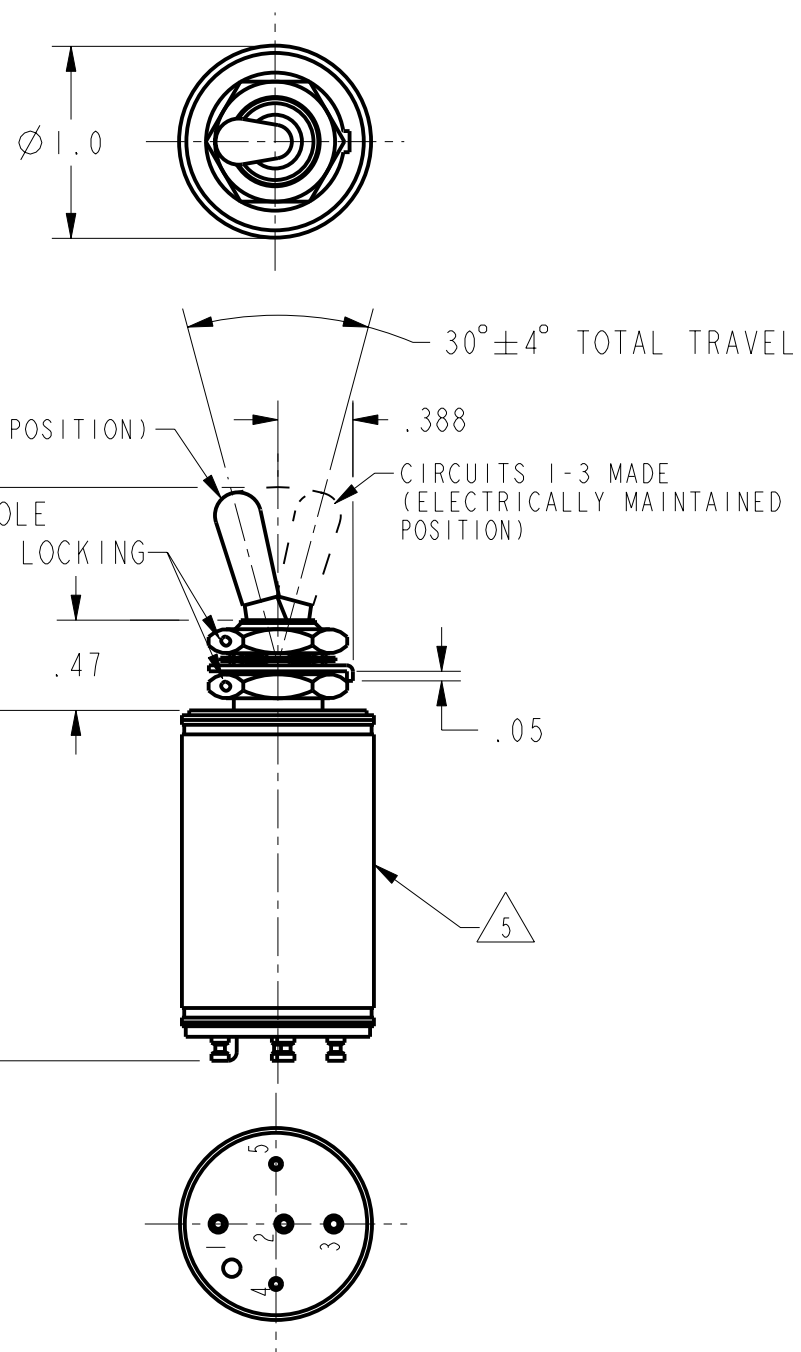


PTC/CAD 2D
 DRAWN
 D L T 13 JUN 02
 CHECK
 SAV
 13 JUN 02
 CHECK
 13 JUN 02
 REVISIONS
 A 205790
 D L T
 13 JUN 02
 ISSUE 5
 M
 CATALOG LISTING
 25ET29-T
 PAGE 1 OF 1
 RELEASE NO. PR-4873
 REPLACES -



- NOTES
- 1 - EXPOSED PARTS ARE OF CORROSION RESISTANT MATERIAL OR ARE SUITABLY PROTECTED TO PREVENT CORROSION, ENCLOSURE FINISHED WITH BLUE EPOXY BASED ENAMEL COLOR NO. 25184 PER FEDERAL STANDARD 595
 - 2 - SWITCH SEALED PER MIL-S-5594
 - (3) HOLD IN VOLTAGE: THE MINIMUM SPECIFIED VOLTAGE AT WHICH THE LEVER WILL REMAIN ACTUATED. HOLD IN MAY OCCUR AT A LOWER RANGE IN WHICH THE LEVER WILL BE RELEASED
 - 4 - CIRCUITS CAN BE TRANSFERRED MANUALLY. ENERGIZING THE COIL WILL NOT CAUSE TRANSFER OF CIRCUITS
 - (5) CIRCUIT IDENTIFICATION IS SHOWN ON SWITCH
 - (6) HARDWARE MAY BE FURNISHED UNASSEMBLED PER MIL-S-5594

THIS DRAWING COVERS A PROPRIETARY ITEM AND IS THE PROPERTY OF MICRO SWITCH, A DIVISION OF HONEYWELL. THIS DRAWING IS NOT TO BE COPIED OR USED WITHOUT THE APPROVAL OF MICRO SWITCH

CHARACTERISTICS	SOLENOID RATING AT 20°C
STEADY STATE LIMITS	----- 20-29 VDC
HOLD IN	----- 10 VDC
DROP OUT	----- 0-10 VDC
COIL RESISTANCE	----- 220 OHM MIN
OPERATING FORCE	----- 7 LBS MAX
VERRIDE FORCE AT 28 VDC	----- 10 LBS MAX

ELECTRICAL DATA	
CONTACT ARRANGEMENT S P D T	
RATINGS IN AMPHERES	
VOLTAGE	SEA LEVEL
	65,000 FT
28 VOLTS DC	INRUSH RES IN MOTOR
	4 3 4
	4 2.5 4

THIRD ANGLE PROJECTION

SCALE FULL

DO NOT SCALE PRINT

UNLESS OTHERWISE SPECIFIED TOLERANCES ARE

ONE PLACE	(.0)	$\pm .030$
TWO PLACE	(.00)	$\pm .015$
THREE PLACE	(.000)	$\pm .005$

ANGLES \pm

WEIGHT 4.0 OZ MAX

ANSI Y14.5M-1982 APPLIES