

MICRO SWITCH

FREEMONT ILLINOIS, U. S. A
A DIVISION OF HONEYWELL

FED. MFG. CODE 91929

PACKET

CATALOG LISTING

33PA4 - PD

M 33PA4 - PD

DRAWING NUMBER

ISSUE

REPLACES

RELEASE NO. PR - 618

CHECK

CHECK

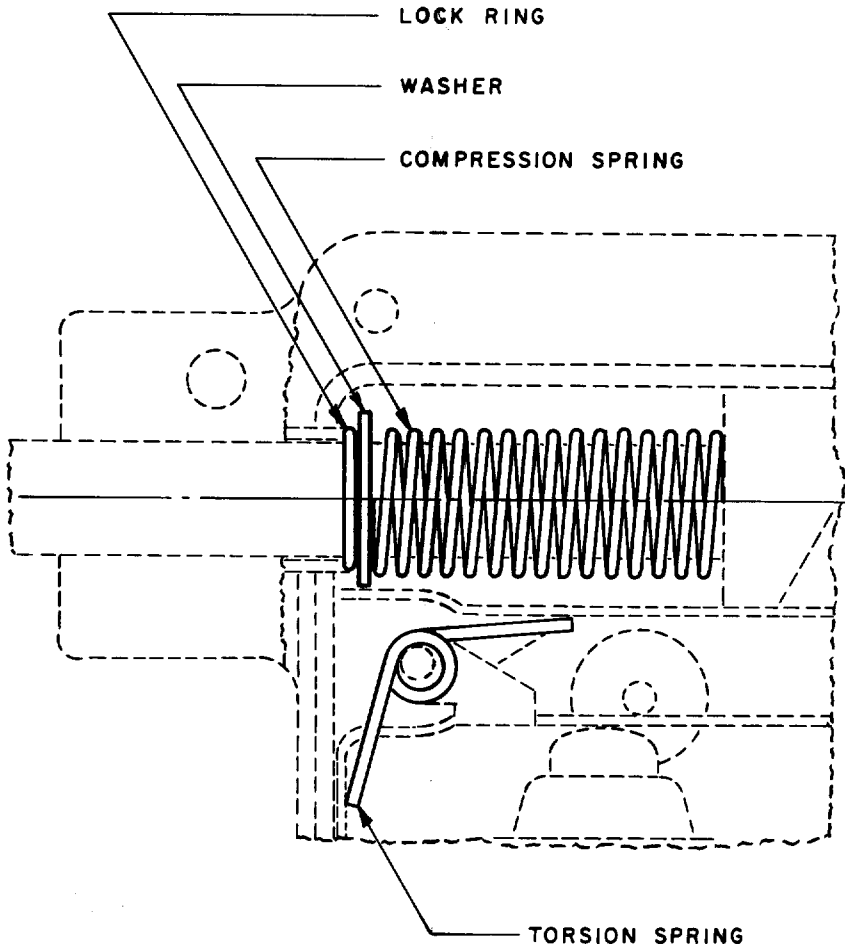
DRAWN 17 APR 69

CHECK

G C H 12 APR 69

DRAWN

FO-50378-1A



NOTE -

1 - PARTS FURNISHED UNASSEMBLED IN BULK AS A PACKET

THIS DRAWING COVERS A PROPRIETARY ITEM AND IS THE PROPERTY OF MICRO SWITCH, A DIVISION OF HONEYWELL. THIS DRAWING IS NOT TO BE COPIED OR USED WITHOUT THE APPROVAL OF MICRO SWITCH.

CHARACTERISTICS

ELECTRICAL DATA

SCALE 2:1

CONTACT ARRANGEMENT

DO NOT SCALE PRINT

UNLESS OTHERWISE NOTED

DIMENSIONS ARE IN INCHES

TOLERANCES ARE:

| | | |
|-------------|--------|-------|
| ONE PLACE | (.0) | ±.030 |
| TWO PLACE | (.00) | ±.015 |
| THREE PLACE | (.000) | ±.005 |
| ANGLES | | ± |

WEIGHT