

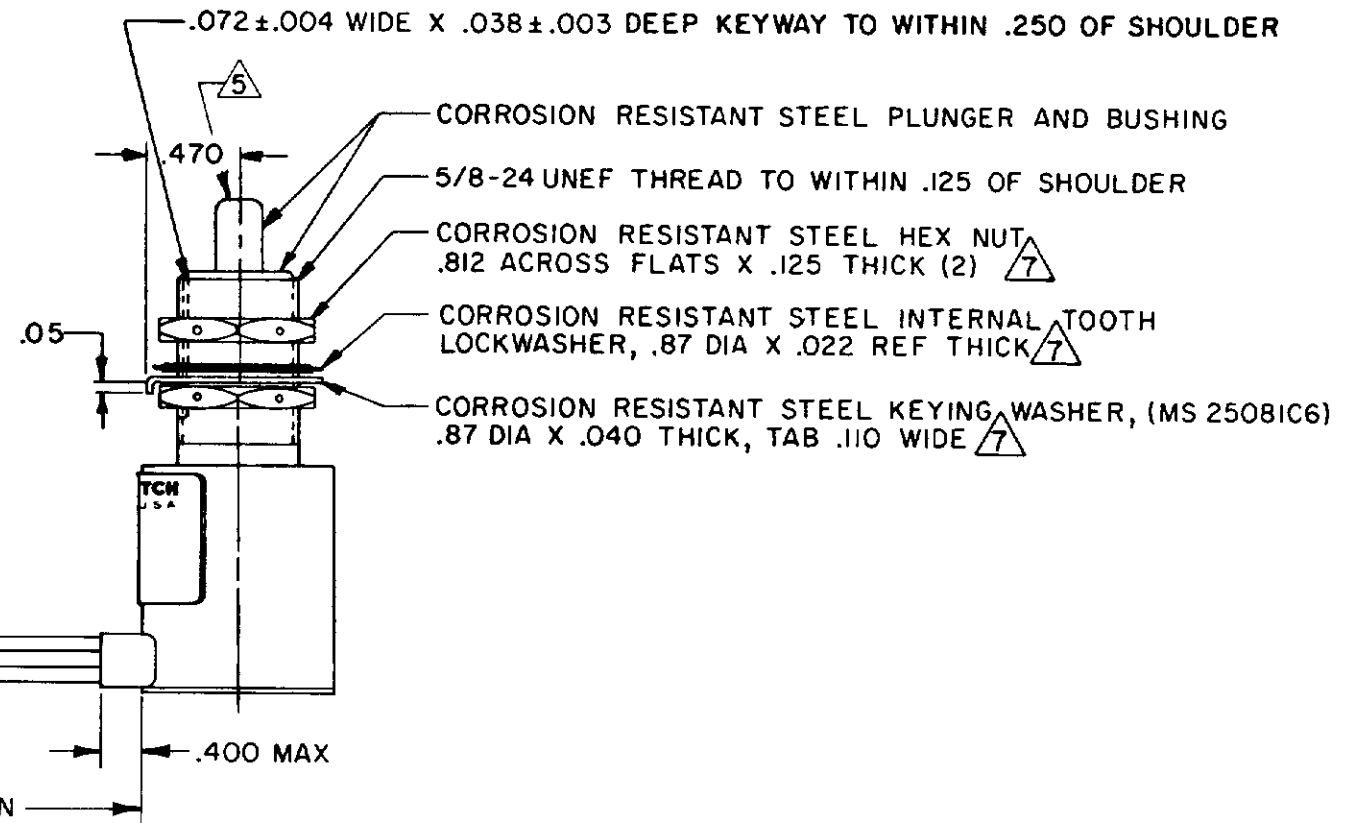
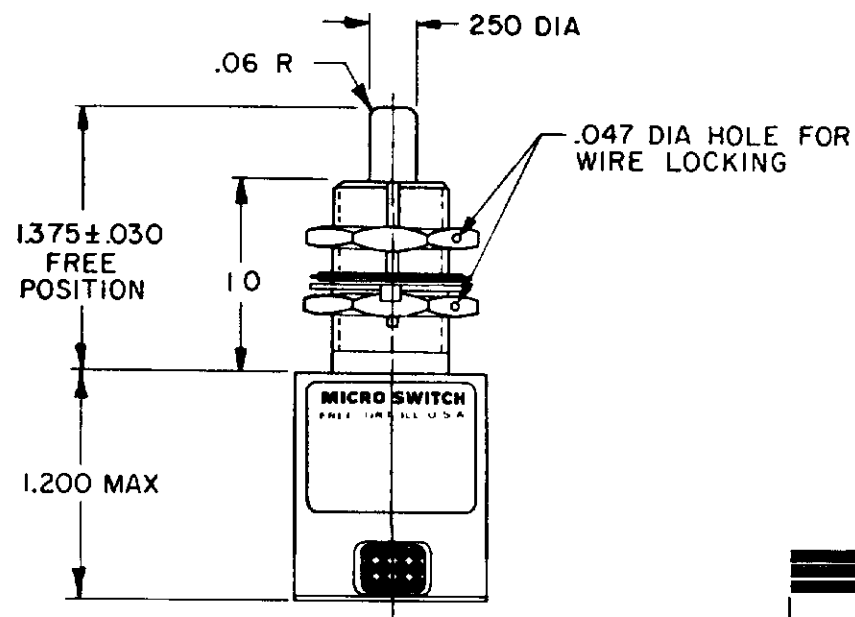
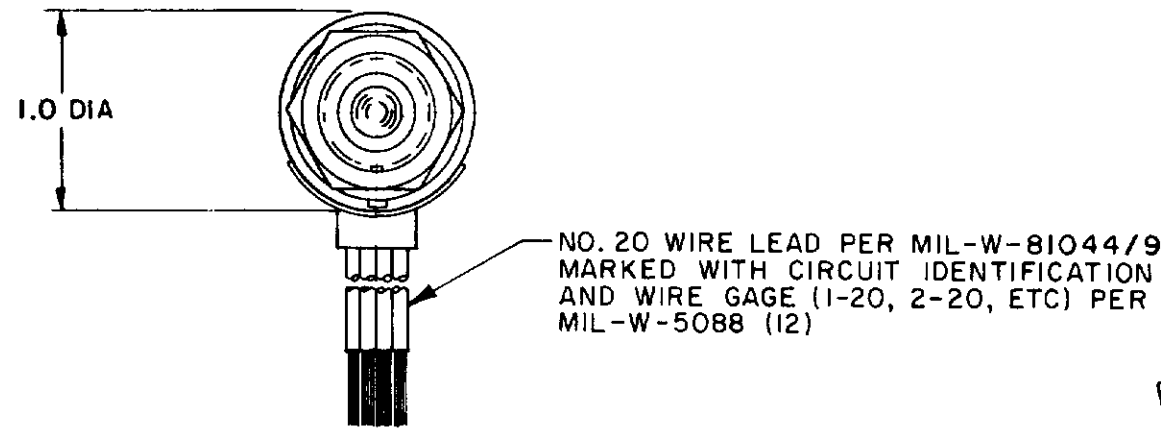
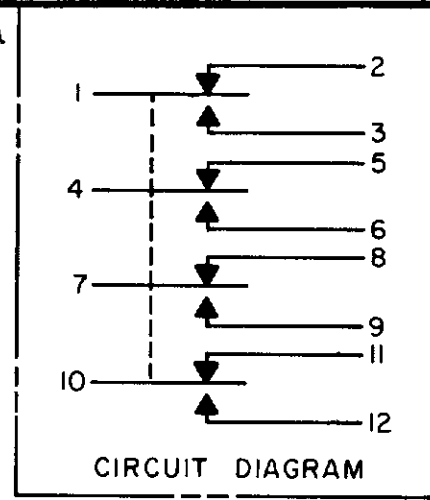
**MICRO SWITCH**

FREEPORT ILLINOIS U.S.A.  
A DIVISION OF HONEYWELL

FED MFG CODE 91929

**SWITCH - ENCLOSED**

CATALOG LISTING  
**404EN64-6**



- NOTES
- 1 - CORROSION RESISTANT STEEL ENCLOSURE
  - 2 - SWITCH SEALED PER MIL-PRF-8805 SYMBOL 4
  - 3 - CIRCUIT DIAGRAM AND CATALOG LISTING ARE SHOWN ON NAMEPLATE
  - 4 - COINCIDENCE OF OPERATING AND RELEASING POINTS .010 OF PLUNGER TRAVEL
  - 5 - EXTERNAL PLUNGER THROUGH HARDENED 37 ROCKWELL C MIN
  - 6 - BASIC SWITCHES HAVE SOLID GOLD CONTACT MATERIAL
  - 7 - HARDWARE MAY BE PACKAGED UNASSEMBLED PER MIL-PRF-8805

404EN64-6  
 DRAWING NUMBER  
 ISSUE 14  
 REVISIONS  
 A 0044351  
 C E B  
 1 OCT 79  
 B 0047020  
 W J M  
 14 DEC 79  
 C 0047573  
 J A P  
 7 AUG 80  
 D 0054924  
 K J S  
 9 DEC 83  
 E 0057370  
 T S K  
 15 MAY 85  
 F 0074101  
 G J W  
 30 JAN 93  
 G 0077804  
 S A D  
 16 MAY 94  
 H 0036806  
 M S T  
 18 JAN 08  
 CHECK C E B  
 1 OCT 79  
 CHECK C E B  
 18 JAN 08  
 REPLACES PR-2029  
 RELEASE NO  
 FO-82851-A  
 DRAWN

THIS DRAWING COVERS A PROPRIETARY ITEM AND IS THE PROPERTY OF MICRO SWITCH, A DIVISION OF HONEYWELL. THIS DRAWING IS NOT TO BE COPIED OR USED WITHOUT THE APPROVAL OF MICRO SWITCH

THIRD ANGLE PROJECTION

SCALE	FULL
DO NOT SCALE PRINT	
TOLERANCES	
APPLY TO DESIGN UNITS. CONVERSIONS ARE ONLY FOR REFERENCE UNLESS NOTED. *TOLERANCES ARE 2	
DIM	TOL
NO PLACES	X 1/04
ONE PLACE	X X 0.470 4
TWO PLACES	X X X 0.151 006
THREE PLACES	X X X X 0.081 003
FOUR PLACES	X X X X X 0.381 016
FIVE PLACES	X X X X X X 0.131 005
DESIGN UNITS	SI METRIC <input type="checkbox"/> US CUSTOMARY <input checked="" type="checkbox"/>
FOR MATERIAL-COMMERCIAL STANDARD MICRO SWITCH STANDARDS APPLY	
DIMENSIONS ARE TO BE MET BEFORE PROTECTIVE COATINGS ARE APPLIED	
WEIGHT	8.8 OZ MAX

CHARACTERISTICS		ELECTRICAL DATA	
OPERATING FORCE	-----9 LB MAX	CONTACT ARRANGEMENT	
FULL OVERTRAVEL FORCE	-----30 LB MAX	S P D T (4)	
RELEASE FORCE	-----3 LB MIN	LOAD	28 VDC
PRETRAVEL	-----0.040 MAX		SEA LEVEL
DIFFERENTIAL TRAVEL	-----0.020 MAX	RES	
OVERTRAVEL	-----0.250 MIN	IND	0.5 0.5