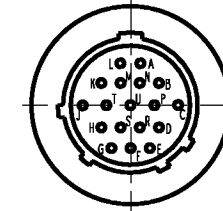


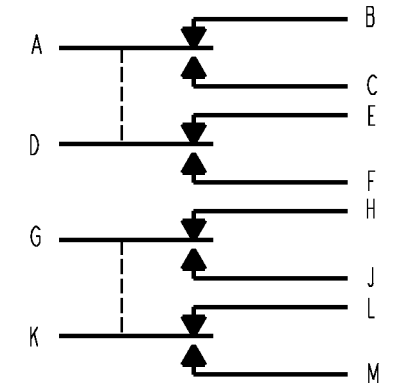
MICRO SWITCH
a Honeywell Division
FED. MFG. CODE 91929

SWITCH-ENCLOSED

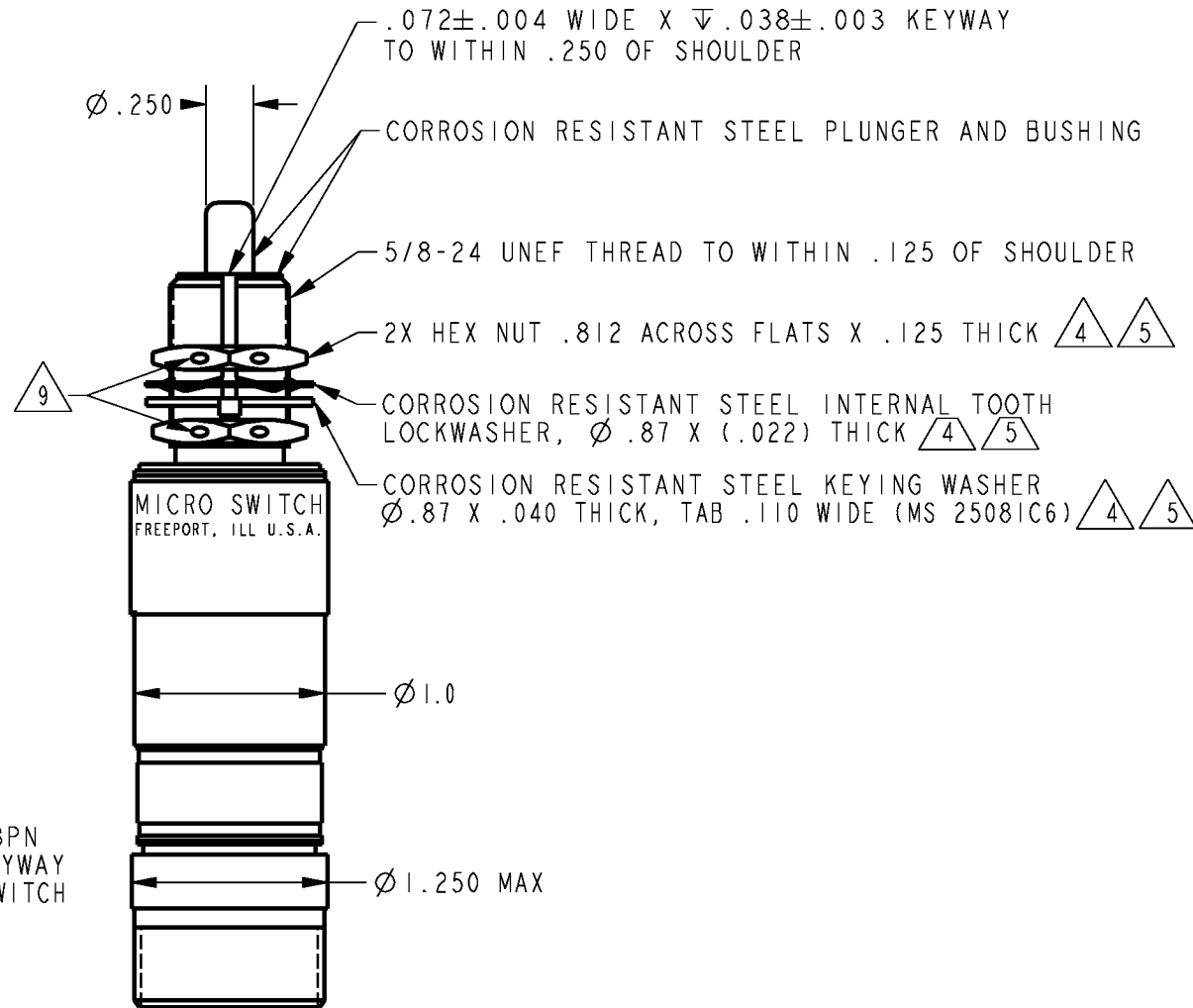
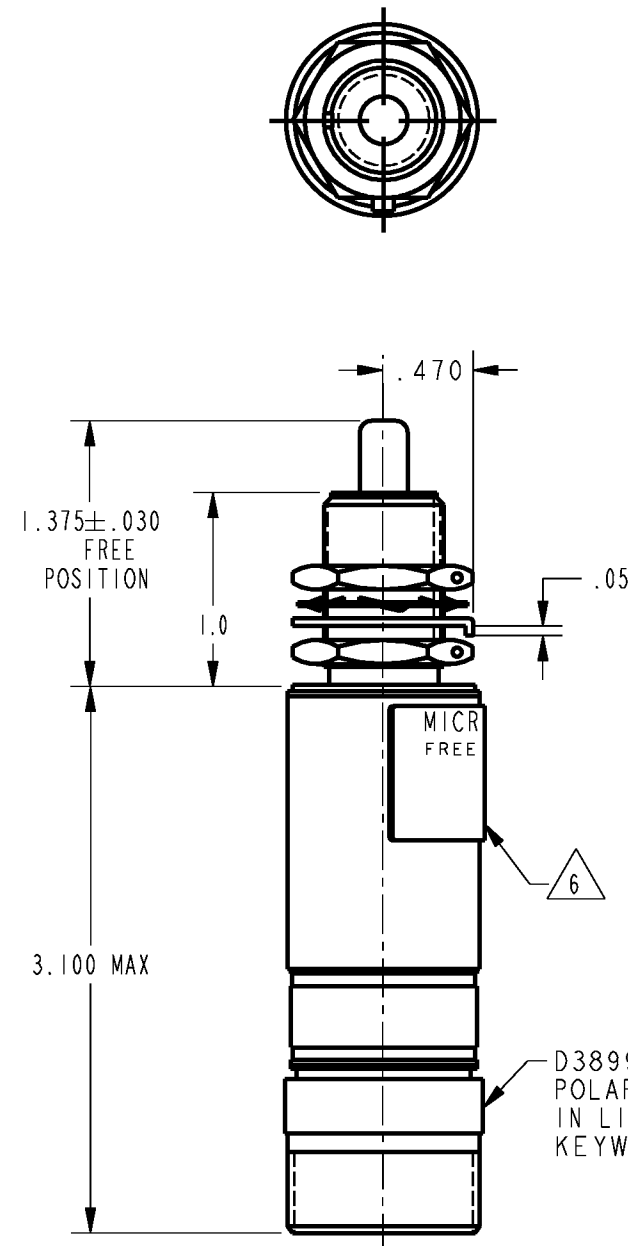
CATALOG LISTING
404HE24-RB
CUSTOMER PART NO.
5PTV0510-1



RECEPTACLE
DETAIL



CIRCUIT DIAGRAM



CATALOG LISTING
404HE24-RB

PAGE 1 OF 1

REPLACES

RELEASE NO. PR-22412

CHECK

ISSUE 3

REVISIONS

A CO-95358

KAG 29 JUL 99

CHECK

30 JUL 99

JAF

CHECK

30 JUL 99

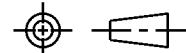
DRAWN

KAG

PTC/CAD 2D

THIS DRAWING COVERS A PROPRIETARY ITEM AND IS THE PROPERTY OF MICRO SWITCH, A DIVISION OF HONEYWELL. THIS DRAWING IS NOT TO BE COPIED OR USED WITHOUT THE APPROVAL OF MICRO SWITCH

THIRD ANGLE PROJECTION



CHARACTERISTICS	
OPERATING FORCE	6 - 12 LB
FULL OVERTRAVEL FORCE	30 LB MAX
RELEASE FORCE	4 LB MIN
PRETRAVEL	.040 MAX
DIFFERENTIAL TRAVEL	.020 MAX
OVERTRAVEL	.250 MIN

ELECTRICAL DATA		
CONTACT ARRANGEMENT 2X S P D T (8)		
LOAD	28 VDC	
	SEA LEVEL	100,000 FT
RES	7	7
IND	4	4
MOTOR	4	4

SCALE FULL	
DO NOT SCALE PRINT	
UNLESS OTHERWISE SPECIFIED TOLERANCES ARE	
ONE PLACE	(.0) ± .030
TWO PLACE	(.00) ± .015
THREE PLACE	(.000) ± .005
ANGLES	±
WEIGHT	6 OZ MAX (4.8 OZ TYP)

NOTES

- 1 - CORROSION RESISTANT STEEL ENCLOSURE
- 2 - SWITCH SEALED PER MIL-PRF-8805 SYMBOL 5
- 3 - OPERATING TEMPERATURE RANGE: -65° F TO +257° F
- (4) HARDWARE MAY BE PACKAGED UNASSEMBLED PER MIL-PRF-8805
- (5) REPLACEMENT MOUNTING HARDWARE PACKET: 19PA78-EN
- (6) MICRO SWITCH, MFG CODE, CATALOG LISTING, CIRCUIT DIAGRAM AND DATE CODE SHOWN ON LABEL
- 7 - COINCIDENCE OF OPERATING AND RELEASING POINTS: .010 INCH OF PLUNGER TRAVEL
- (8) GOLD PLATED SILVER CONTACTS
- (9) Ø.047 HOLE FOR WIRE LOCKING

ANSI Y14.5M-1982 APPLIES