

4EN88-6

SWITCH -- ENCLOSED

MICRO SWITCH
a Honeywell Division

FED. MFG. CODE 91929

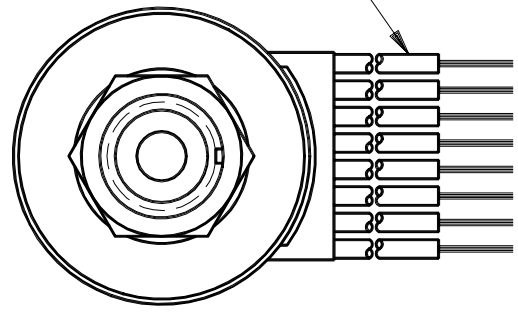
ISSUE	4
REVISIONS	
PR	A 19533
TSM	3SEP91
CO	B 73977
JAK	1DEC92
CO	C 75612-B
MES	16 AUG 93

REPLACES

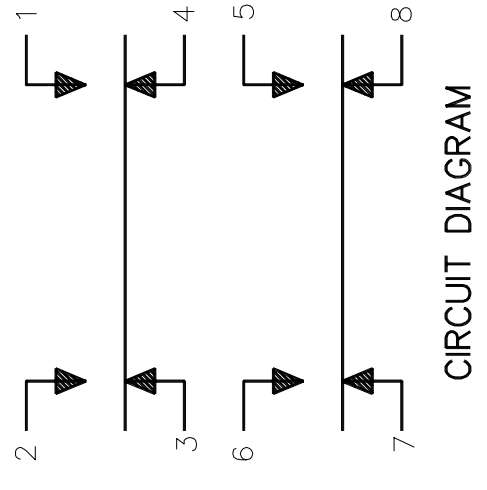
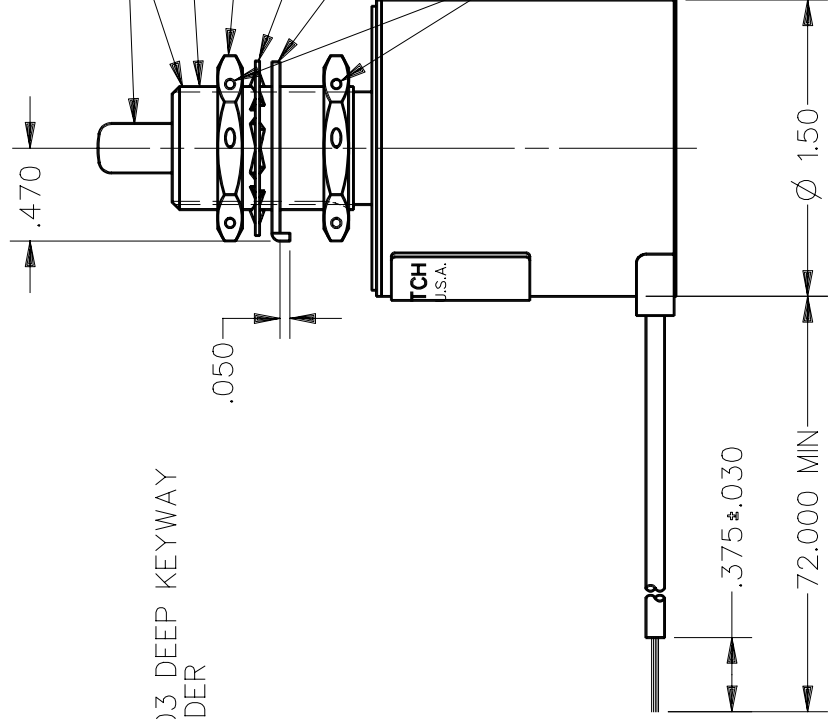
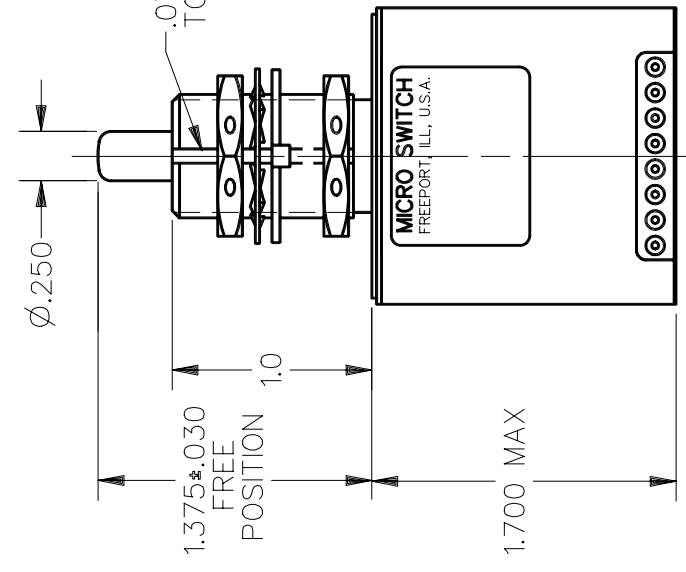
RELEASE NO. PR-19533

4EN88-6

CATALOG LISTING



8X NO. 20 WIRE LEAD PER MIL-W-22759/7 MARKED WITH CIRCUIT IDENTIFICATION AND WIRE GAGE (1-20, 2-20, ETC.) PER MIL-W-5088



CIRCUIT DIAGRAM

CHARACTERISTICS		ELECTRICAL DATA	
OPERATING FORCE	6-12 LB	CONTACT ARRANGEMENT	
FULL OVERTRAVEL FORCE	30 LB MAX	SEE CIRCUIT DIAGRAM	
RELEASE FORCE	5 LB MIN	LOAD	28 VDC
PRETRAVEL	.070 MAX	SEA LEVEL	50,000 FT.
DIFFERENTIAL TRAVEL	.045 MAX	RES	10
OVERTRAVEL	.250 MIN	IND	10
		MOTOR	5
			5 / 5

THIRD ANGLE PROJECTION	
SCALE	FULL
DO NOT SCALE PRINT	
UNLESS OTHERWISE SPECIFIED TOLERANCES ARE	
ONE PLACE	± .030
TWO PLACE	± .015
THREE PLACE	± .005
ANGLES	±
WEIGHT	.84 LB

NOTES

- 1 - CORROSION RESISTANT STEEL ENCLOSURE
- 2 - SWITCH SEALED PER MIL-S-8805, SYMBOL 4
- 3 - COINCIDENCE OF OPERATING AND RELEASING POINTS: .010 OF PLUNGER TRAVEL
- 4 - CIRCUIT DIAGRAM AND CATALOG LISTING ARE SHOWN ON NAMEPLATE
- 5 - APPLICATION INFORMATION ONLY
- 6 - HARDWARE MAY BE PACKAGED UNASSEMBLED PER MIL-S-8805

ANSI Y14.5M-1982 APPLIES

DRAWN DDM/CAD

TSM

28AUG91

CHECK

MAM

3SEP91

CHECK

16 AUG 93

WES

10 DEC 92

CO

73977

JAK

3SEP91

TSM

19533

PR