

MICRO SWITCH

A DIVISION OF MINNEAPOLIS-HONEYWELL REGULATOR COMPANY
 PINEBROOK, ILLINOIS
 FED. MFR. CODE 91929

SWITCH - BASIC

CATALOG LISTING

4HS46

(M) 4HS46
 ISSUE 3

4HS46
 PAGE 1 OF 1

M

DRAWING NUMBER

ISSUE

11

ISSUE

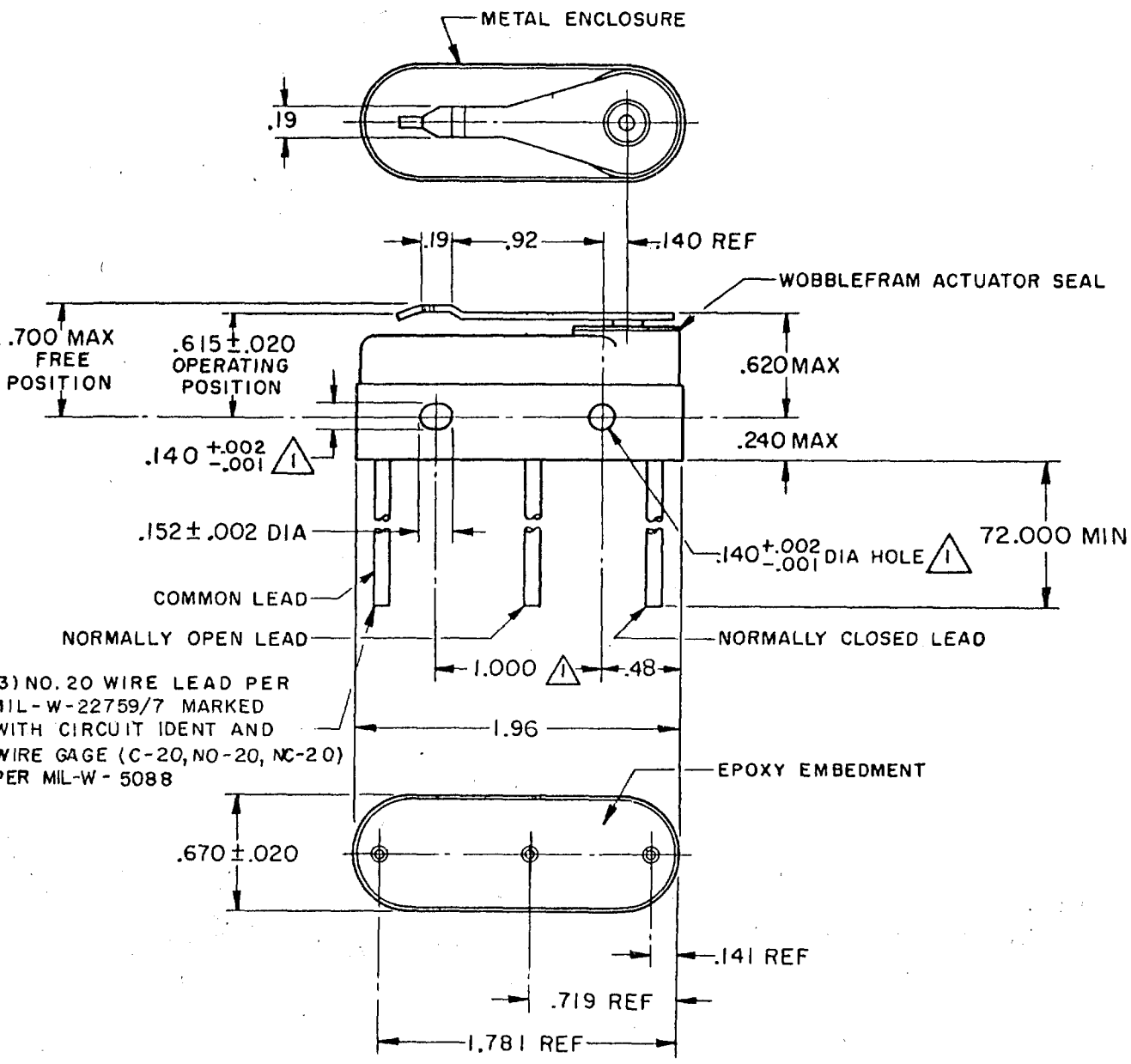
11

ISSUE

11

REVISIONS

A	CO15761	OMW	27 APR 61
B	CO30206	DBW	13 MAR 72
C	CO32089	SRH	JUN 73
D	CO44646-C	CO	9 JAN 79
E	CO55162-B	KEW	OCT 84
F	CO61043	TSK	29 AUG 88
G	CO75625	DB	9 JULY 93
H	CO-94122	TSM	12 MAR 99



(3) NO. 20 WIRE LEAD PER MIL-W-22759/7 MARKED WITH CIRCUIT IDENT AND WIRE GAGE (C-20, NO-20, NC-20) PER MIL-W-5088

- NOTE -
- 1 - MOUNTING HOLES WILL ACCEPT PINS OR SCREWS OF .139 MAX DIA ON 1.000 ± .002 CENTERS
 - 2 - FOR USE IN AMBIENT TEMPERATURE RANGE FROM MINUS 65° F TO PLUS 250° F
 - 3 - WEIGHT OF SWITCH ONLY IS 1.5 OZ MAX WEIGHT OF CONDUCTOR GROUP ONLY IS 0.4 OZ MAX PER FOOT

THIS DRAWING COVERS A PROPRIETARY ITEM AND IS THE PROPERTY OF MICRO SWITCH, A DIVISION OF MINNEAPOLIS-HONEYWELL REGULATOR CO. THIS DRAWING IS NOT TO BE COPIED OR USED WITHOUT THE APPROVAL OF MICRO SWITCH.

CHARACTERISTICS	ELECTRICAL DATA (TENTATIVE)			SCALE FULL
OPERATING FORCE - - - - - 10 - 22 OZ	CONTACT ARRANGEMENT S P D T			DO NOT SCALE PRINT
RELEASE FORCE - - - - - 4 OZ MIN	LINE VOLTAGE	INDUCTIVE LOAD	RESISTIVE LOAD	UNLESS OTHERWISE SPECIFIED
PRETRAVEL - - - - - .065 MAX	28 VDC	8 AMP (SEA LEVEL - 100,000 FT)	25 AMP	DIMENSIONS ARE IN INCHES
DIFFERENTIAL TRAVEL - - - - .020 MAX	125 VAC	1 AMP (SEA LEVEL - 70,000 FT)	.5 AMP	TOLERANCES ARE:
OVERTRAVEL - - - - - .010 MIN				ONE PLACE (.0) ± .030
				TWO PLACE (.00) ± .015
				THREE PLACE (.000) ± .005
				ANGLES ±
				WEIGHT 3

FO-50378
 FORMTEK

DRAWN
 O M W 27 APR 61

REPLACES
 CHECK
 G, MAY '61
 REF
 CHECK
 G, MAY '61
 REF
 CHECK
 G, MAY '61
 REF
 CHECK
 G, MAY '61
 REF