

MICRO SWITCH

FREEPORT ILLINOIS U.S.A.
A DIVISION OF HONEYWELL

FED. MFG. CODE 91929

SWITCH-BASIC

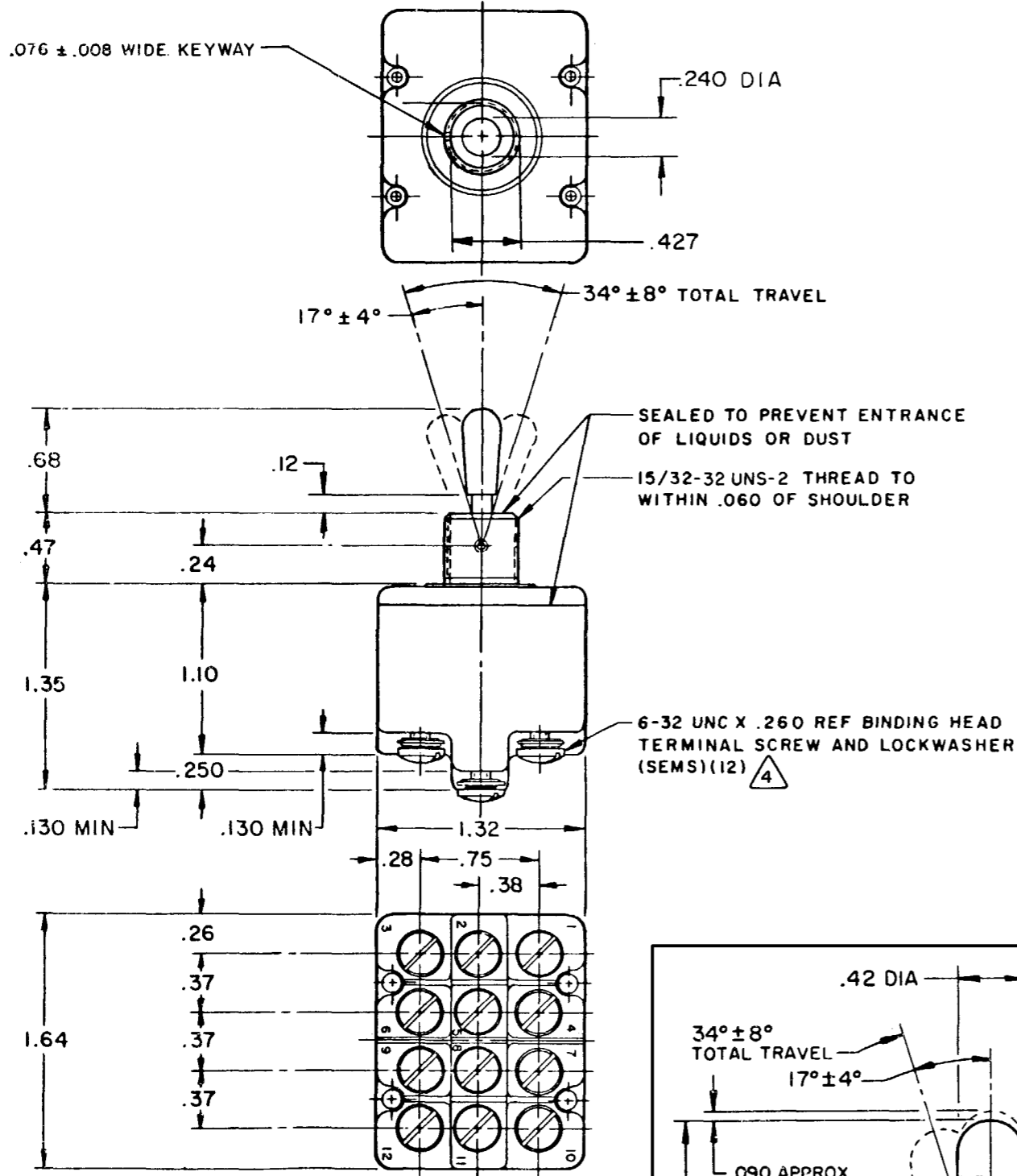
CATALOG LISTING

4TL1-12 SERIES

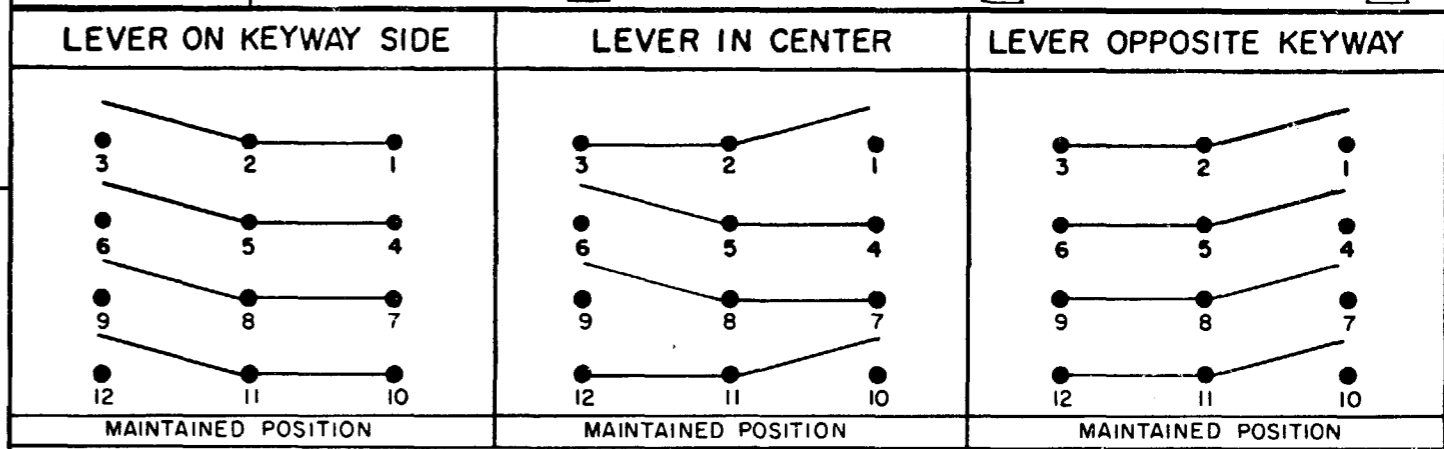
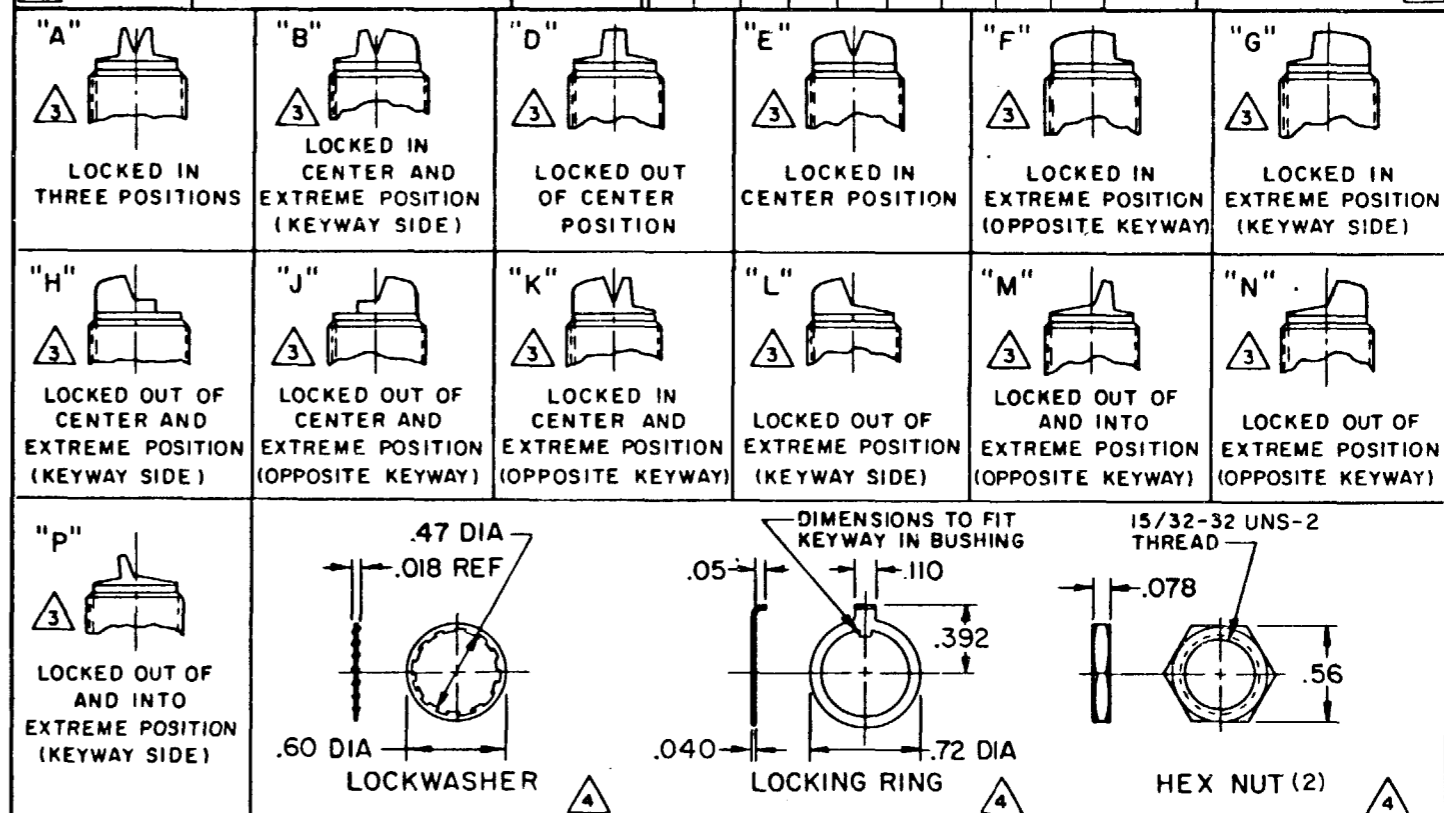
CHART 1

THIS DRAWING COVERS A PROPRIETARY ITEM AND IS THE PROPERTY OF MICRO SWITCH, A DIVISION OF MINNEAPOLIS-HONEYWELL REGULATOR CO. THIS DRAWING IS NOT TO BE COPIED OR USED WITHOUT THE APPROVAL OF MICRO SWITCH.

4TL1-12 SERIES CHART 1
 PAGE 1 OF 1
 DRAWING NUMBER M
 ISSUE 11
 REVISIONS
 A CO-81150 J A K 20 JUN 95
 B CO 94440 G R T 23 NOV 99
 C 0079849 MBH 22 JUL 11
 D 0083449 SBH 28 OCT 11
 RASTER DRAWN
 MJB 16 SEPT 71
 CMH 28 OCT 11
 L S D 20 SEP 71
 CHECK 71
 RELEASE NO. PR-2093



CAT. LIST.	AVAILABLE LOCKING COMBINATIONS FOR CONFIGURATION SEE LETTERED DETAILS	STYLE NO.	MILITARY RATING (AMPS)										MS NUMBER	
			RESISTIVE LOAD DC VOLTS		AC VOLTS		LAMP LOAD		INDUCTIVE LOAD		CONTINUOUS			
			28	125	250	125	250	28 VDC	125 VAC	28 VDC		125 VAC		
4TL1-12	NONE	1												27406-1
△ 4TL1-12	A,B, D,E,F,G,H,J,K,L,M,N,P	2	20	.75	.5	15	6	5	4	12	15			△ 27409-1



NOTES

- SWITCHES ARE CAPABLE OF WITHSTANDING A TEMPERATURE OF 160°F CONTINUOUSLY AT FULL RATED LOAD
- CIRCUIT DESIGNATION AND MICRO SWITCH CATALOG LISTING MARKED ON SIDE OF SWITCH
- KEYWAY SHOWN ON LEFT SIDE
- FURNISHED UNASSEMBLED
- FOR TERMINAL COVER SEE MICRO SWITCH CATALOG LISTING 5PA9
- SUFFIX LETTER MUST BE ADDED FOR DESIRED TYPE TOGGLE LOCKING. SEE CHART FOR AVAILABLE LOCKING COMBINATIONS

L191 15A 125, 250, 277 VAC
1/2HP 125 VAC
1HP 250, 277 VAC
5A 125 VAC "L"

SCALE FULL
DO NOT SCALE PRINT
UNLESS OTHERWISE NOTED
DIMENSIONS ARE IN INCHES
TOLERANCES ARE:
ONE PLACE (.01) ± .030
TWO PLACE (.00) ± .015
THREE PLACE (.000) ± .005
ANGLES
WEIGHT