

**SWITCH - TOGGLE**

**62NT1 SERIES CHART 1**

CATALOG LISTING

THIS DRAWING COVERS A PROPRIETARY ITEM AND IS THE PROPERTY OF MICRO SWITCH. A DIVISION OF HONEYWELL. THIS DRAWING IS NOT TO BE COPIED OR USED WITHOUT THE APPROVAL OF MICRO SWITCH

CATALOG LISTING **62NT1 SERIES CHART 1**

PAGE 1 OF 1

REPLACES -

ISSUE **2**

CHECK

REVISIONS

A 207607  
TSM  
7 MAR 03

CHECK

CHECK

5 FEB 03

SAV

CHECK

5 FEB 03

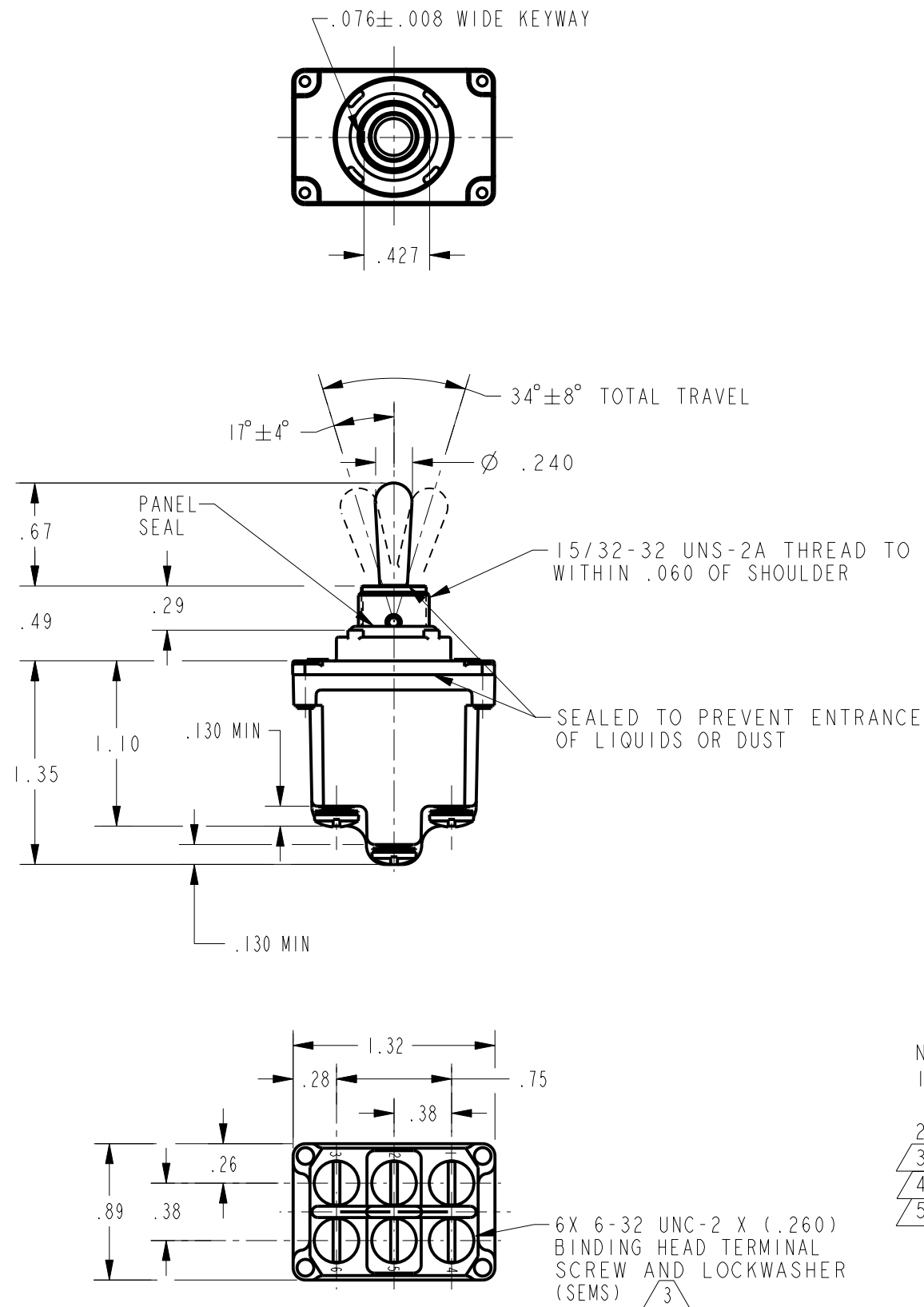
PTC/CAD 2D

DRAWN

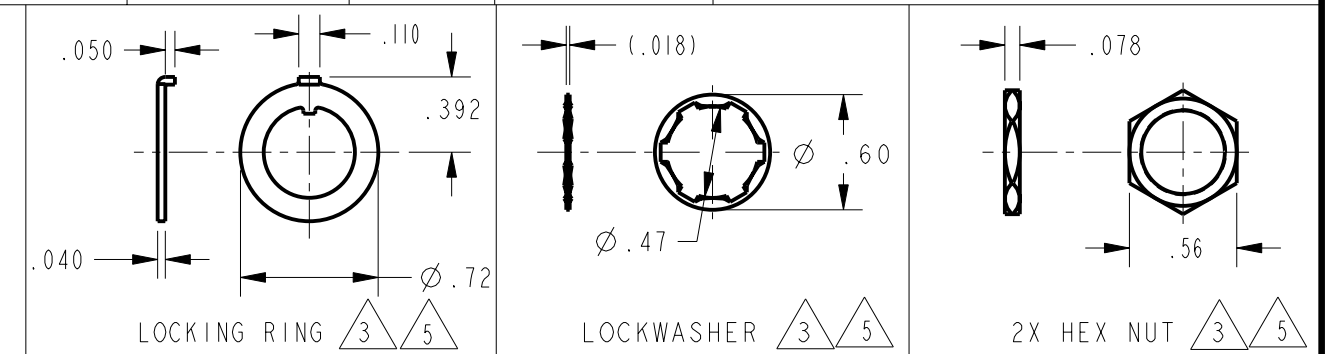
TSM

5 FEB 03

RELEASE NO. 207367



CATALOG LISTING	CIRCUIT MADE WITH TOGGLE LEVER IN $\triangle 4$			ELECTRICAL DATA
	KEYWAY SIDE (1-2, 4-5)	CENTER (1-2, 4-5)	OPPOSITE KEYWAY (2-3, 5-6)	
62NT1-1	ON	OFF	ON	L191 15A 125, <u>250</u> , 277 VAC 1/2HP 125 VAC 1HP <u>250</u> , 277 VAC 5A 125 VAC "L" $\triangle 4$ $\triangle 5$
62NT1-2	OFF	NONE	ON	
62NT1-3	ON	NONE	ON	
62NT1-6	MOM ON	NONE	OFF	L192 10A 125, <u>250</u> , 277 VAC 1/4HP 125 VAC, 1/2HP <u>250</u> , 277 VAC 3A 125 VAC "L" $\triangle 4$ $\triangle 5$
62NT1-7	MOM ON	OFF	MOM ON	
62NT1-8	MOM ON	NONE	ON	



**NOTES**

- 1 - SWITCHES ARE CAPABLE OF WITHSTANDING A TEMPERATURE OF 160°F CONTINUOUSLY AT FULL RATED LOAD
- 2 - MICRO SWITCH CAT. LIST. MARKED ON SIDE OF SWITCH FURNISHED UNASSEMBLED
- $\triangle 3$  APPLIES ONLY TO "ON" AND "MOMENTARY ON" POSITIONS
- $\triangle 4$  NH SUFFIX MUST BE ADDED TO SPECIFY NO HARDWARE (EX 2NT1-1-NH)
- $\triangle 5$

THIRD ANGLE PROJECTION	
SCALE	FULL
DO NOT SCALE PRINT	
UNLESS OTHERWISE SPECIFIED TOLERANCES ARE	
ONE PLACE	(.0) ±.030
TWO PLACE	(.00) ±.015
THREE PLACE	(.000) ±.005
ANGLES	±
WEIGHT	.12 LBS APPROX