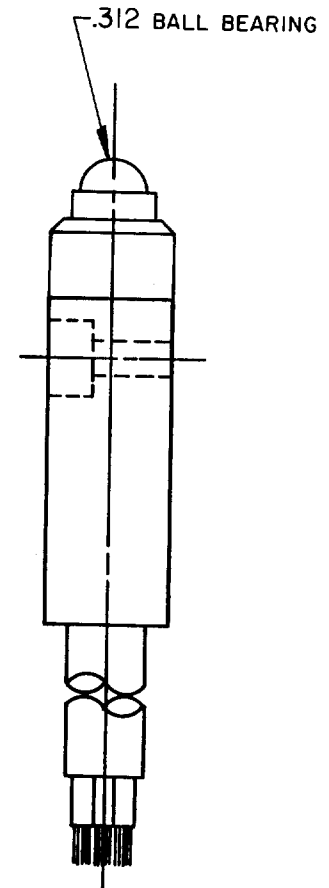
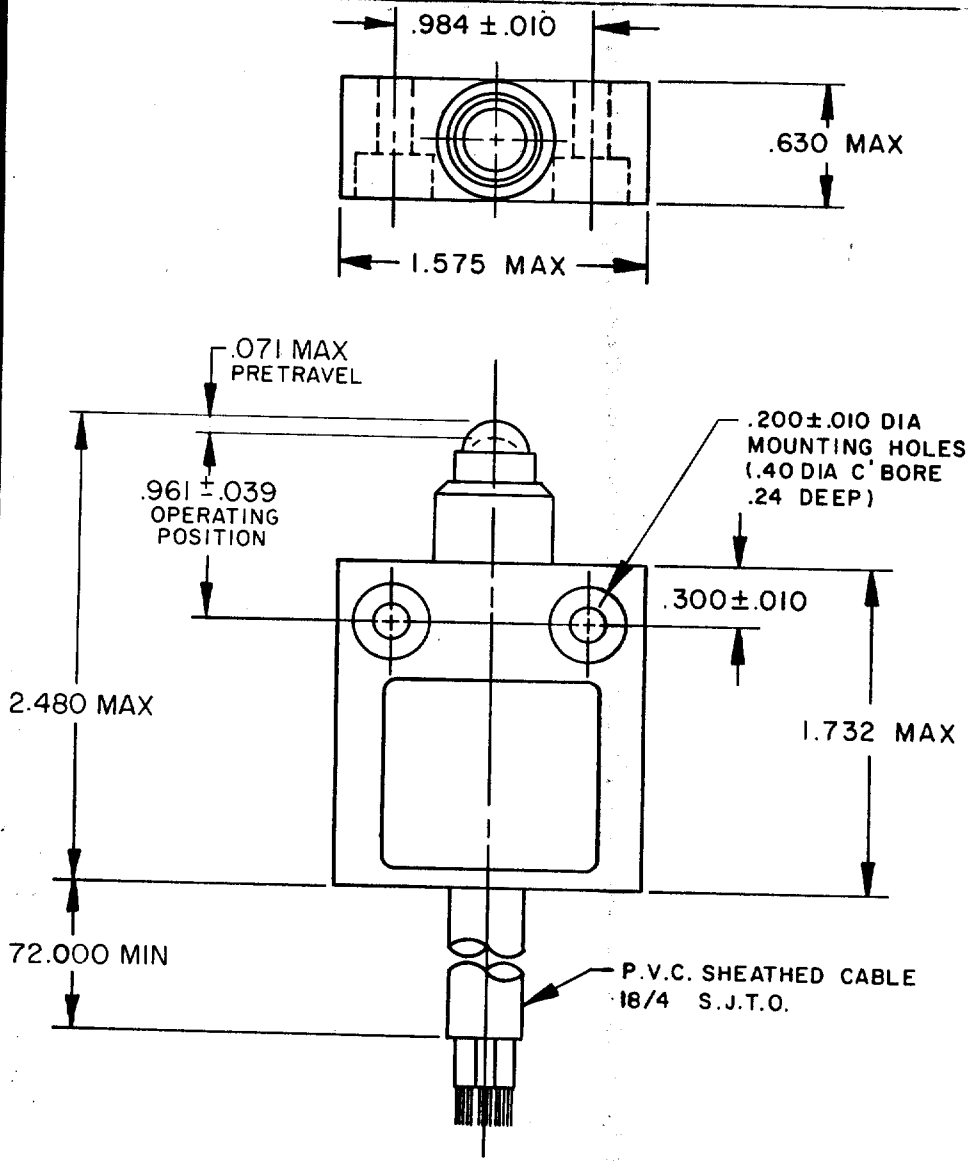


MICRO SWITCH
 FREEPORT ILLINOIS, U.S.A.
 A DIVISION OF HONEYWELL
 FED. MFG. CODE 91929

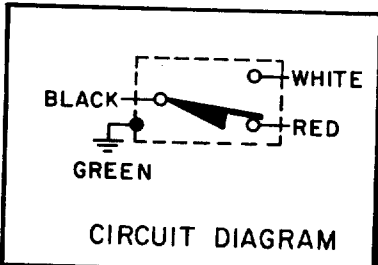
**SMALL PRECISION
 LIMIT SWITCH**

CATALOG LISTING
914CE66-6

FO-52849-A DRAWN TSK 15 APR 85 CHECK KA G 17 APR 85 CHECK
 ISSUE **X2** DRAWING NUMBER **M** 914CE66-6
 RELEASE NO. PR-13834-T REPLACES



NOTE -
 1 - ZINC HOUSING FINISHED WITH GRAY PAINT



THIS DRAWING COVERS A PROPRIETARY ITEM AND IS THE PROPERTY OF MICRO SWITCH, A DIVISION OF HONEYWELL. THIS DRAWING IS NOT TO BE COPIED OR USED WITHOUT THE APPROVAL OF MICRO SWITCH.

THIRD ANGLE PROJECTION

CHARACTERISTICS	
OPERATING FORCE	--- 2.75 LBS MAX
RELEASE FORCE	----- 1.0 LB MIN
DIFFERENTIAL TRAVEL	--- .004 MAX
OVERTRAVEL	--- .118 MIN

ELECTRICAL DATA	
CONTACT ARRANGEMENT S P D T	
5A - 125 OR 250 VAC 1/10 HP - 125 OR 250 VAC	

SCALE FULL			
DO NOT SCALE PRINT			
TOLERANCES			
APPLY TO DESIGN UNITS. CONVERSIONS ARE ONLY FOR REFERENCE. UNLESS NOTED, TOLERANCES ARE ±			
DIM.	TOL.	DIM.	TOL.
mm	mm/in	in	mm/in
NO PLACES	X	1/04	
ONE PLACE	X, X	0.4/018	X, X
TWO PLACES	X, XX	0.15/008	X, XX
THREE PLACES	X, XXX		X, XXX
ANGLES			
DESIGN UNITS		US CUSTOMARY	
SI METRIC <input type="checkbox"/>		US CUSTOMARY <input checked="" type="checkbox"/>	
WEIGHT			