

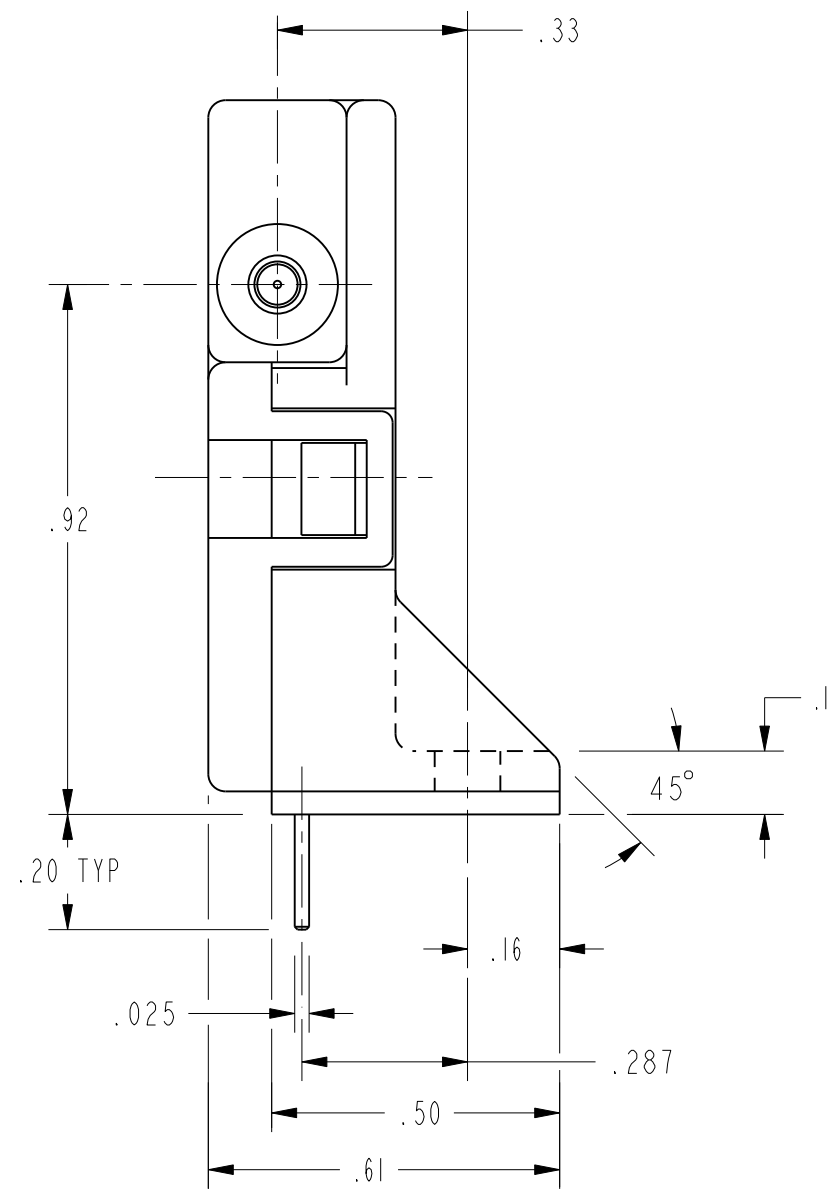
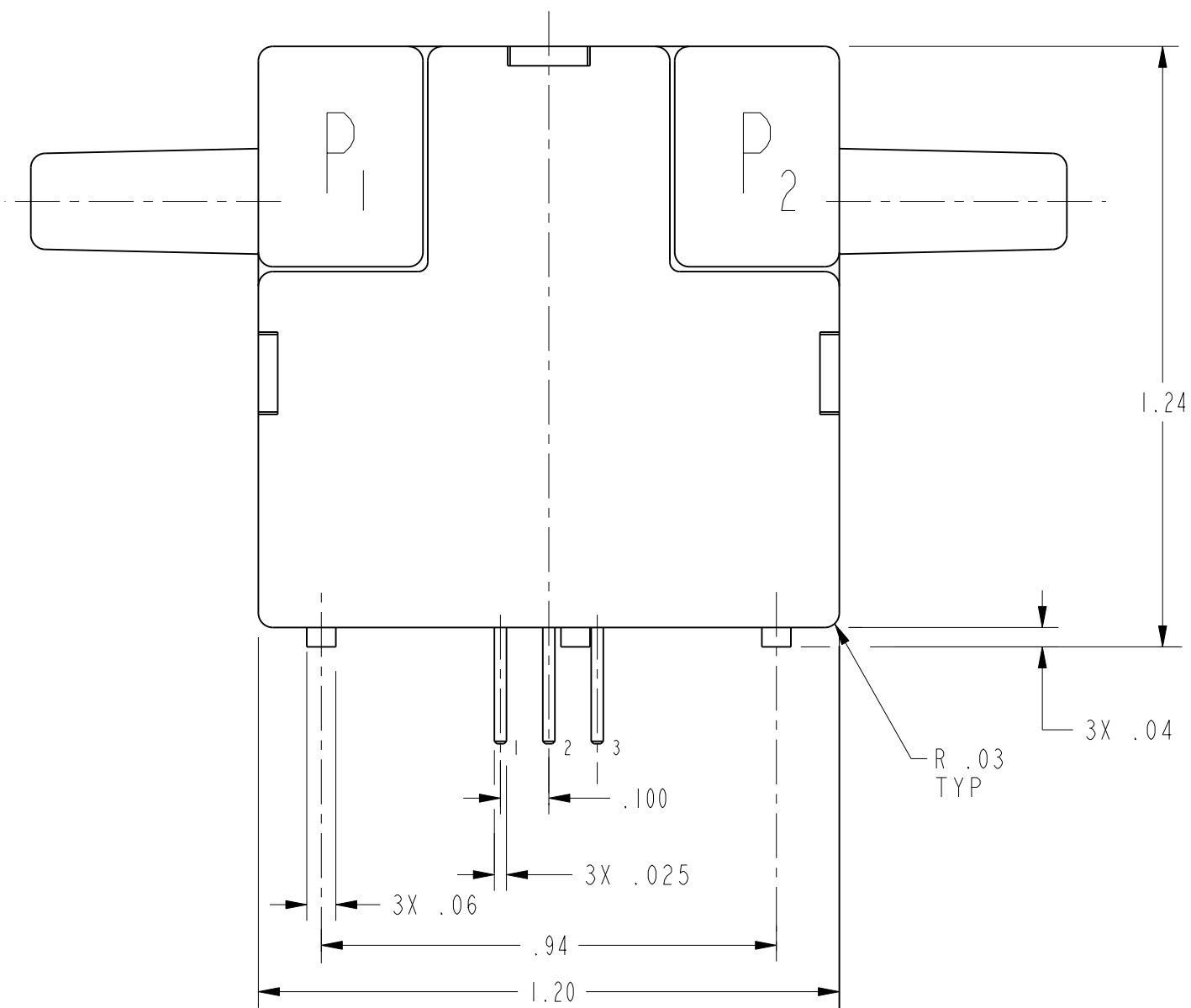
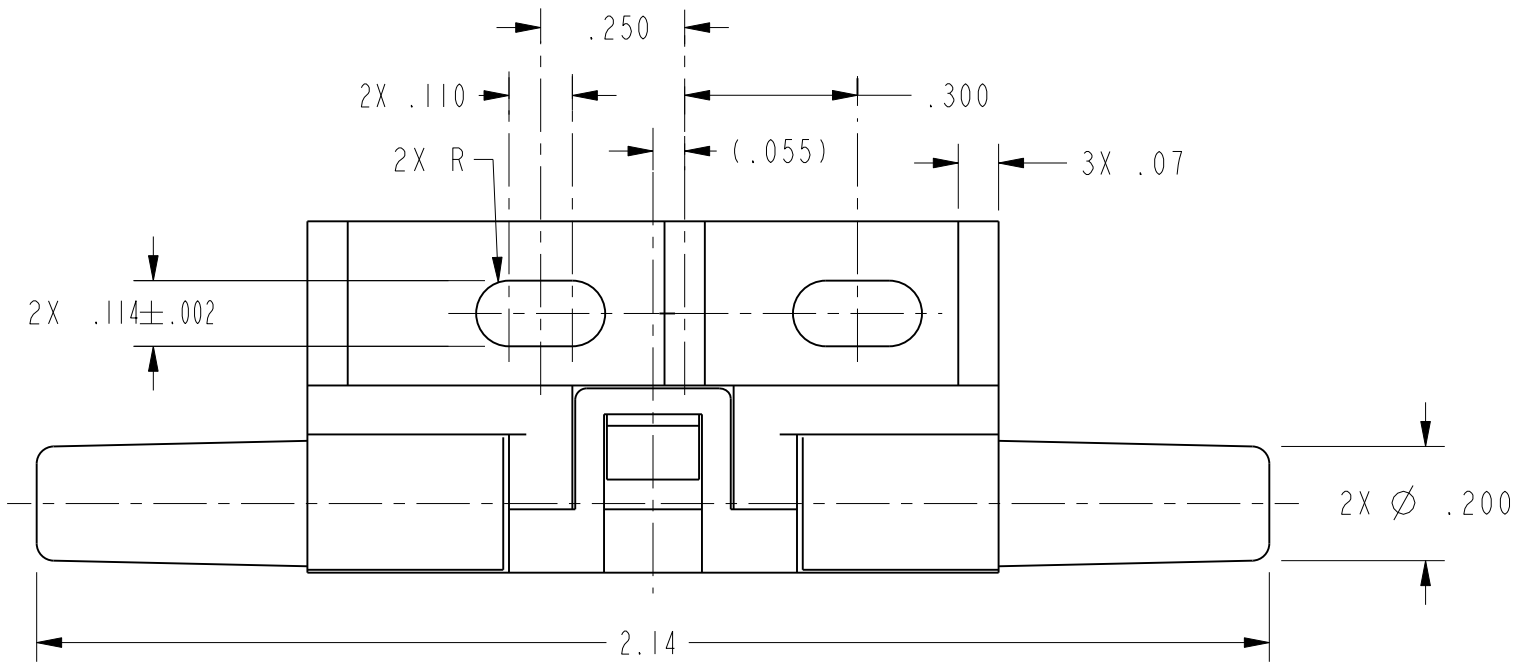
HONEYWELL PART NUMBER
AWM3205V

SPECIFICATIONS:	AWM3205V
RECOMMENDED EXCITATION	10.00±.01VDC
POWER CONSUMPTION	60mW MAX
OUTPUT VOLTAGE AT LASER TRIM POINT	5.00 VDC AT 2 IN. H <sub>2</sub> O
NULL VOLTAGE	1.00±.08 VDC
NULL VOLTAGE SHIFT (-25°C TO +85°C)	±25mV TYP
OUTPUT VOLTAGE SHIFT (+25°C TO -25°C)	9.0% F.S.O.
OUTPUT VOLTAGE SHIFT (+25°C TO +85°C)	-9.0% F.S.O.
REPEATABILITY & HYSTERESIS	±.50% F.S.O. MAX
RESPONSE TIME	3.0 msec MAX
OPERATING TEMPERATURE RANGE	-25°C TO +85°C
STORAGE TEMPERATURE RANGE	-40°C TO +90°C
TERMINATION (ON .100 CENTERS)	0.025 SQ. IN.
WEIGHT	10.8 GRAMS
SHOCK RATING (5 DROPS, EACH OF 6 AXES)	100G PEAK
OVERPRESSURE	25 psi MAX

REV	DOCUMENT	CHANGED BY	CHECK
3	0013772	RS 21JUN05	AK

AWM3205V  
OUTPUT FLOW VS. INTERCHANGEABILITY

PRESS IN. H <sub>2</sub> O	NOMINAL (VDC)	TOL. (±VDC)
2.00	5.00	0.15
1.40	4.45	0.17
1.00	3.99	0.15
0.80	3.68	0.15
0.60	3.33	0.10
0.40	2.89	0.12
0.20	2.26	0.11
0.00	1.00	0.08



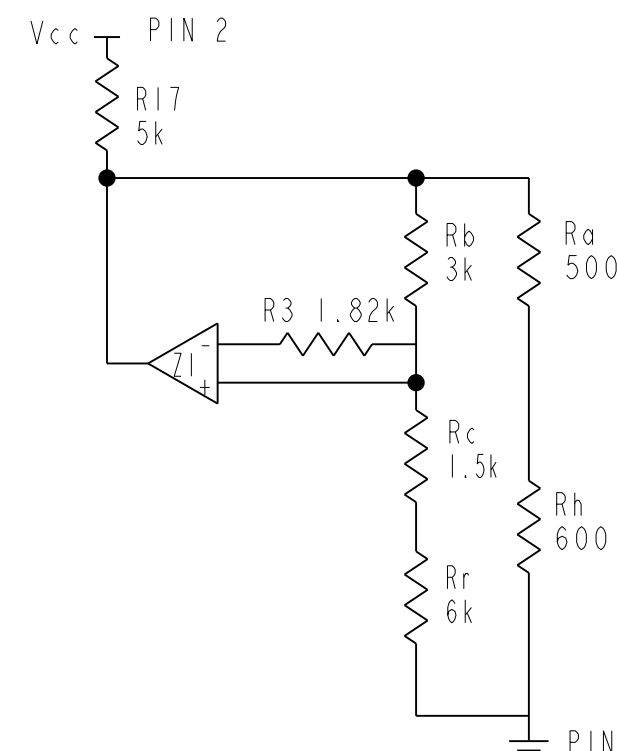
OUTPUT CONNECTIONS

- PIN 1 OUTPUT VOLTAGE
- PIN 2 + SUPPLY VOLTAGE
- PIN 3 GROUND

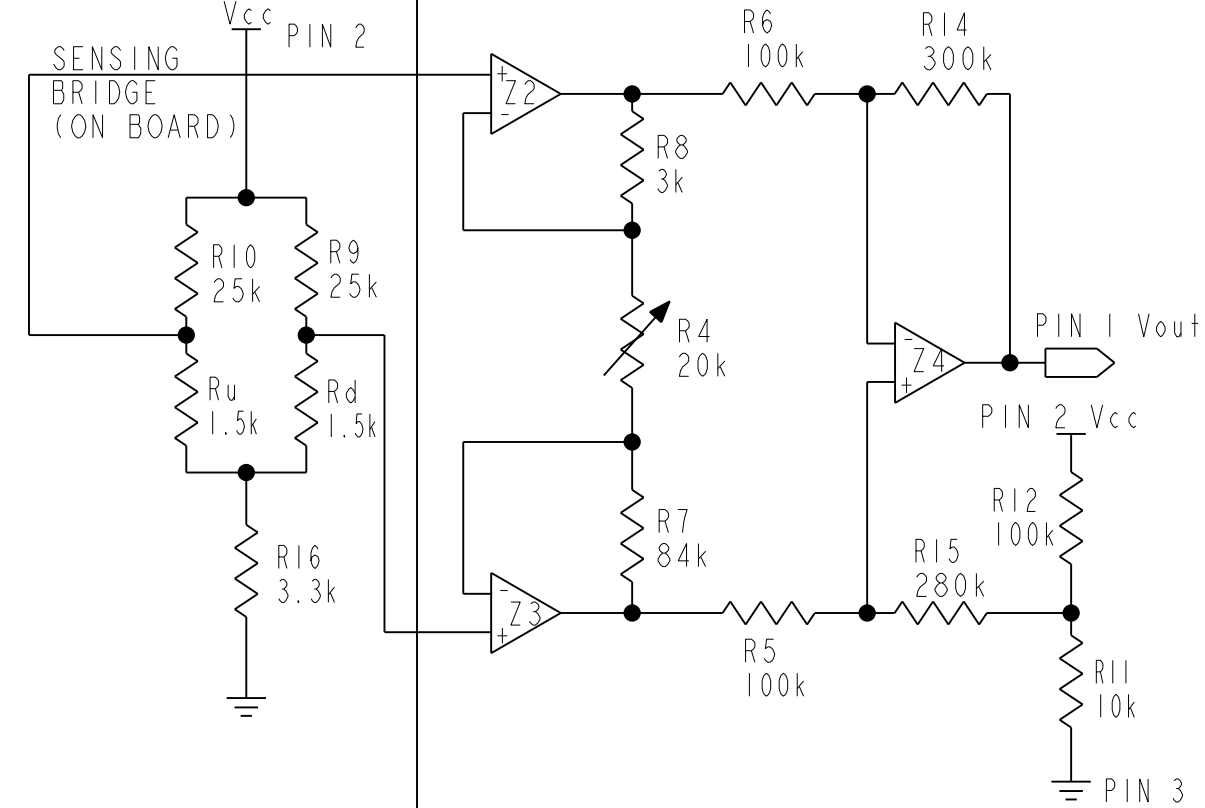
NOTE

1 - POSITIVE FLOW DIRECTION IS DEFINED AS PROCEEDING FROM P1 TO P2 AND RESULTS IN POSITIVE OUTPUT (PIN 1 > PIN 3). NEGATIVE FLOW DIRECTION IS DEFINED CONVERSELY AND RESULTS IN NEGATIVE OUTPUT (PIN 1 < PIN 3)

HEATER CONTROL CIRCUIT



SENSING BRIDGE SUPPLY CIRCUIT AND DIFFERENTIAL INSTRUMENTATION AMPLIFIER (ON BOARD)



REPLACES: X100321-AW

DESIGN UNITS: INCH TOLERANCES UNLESS NOTED:	NO PLACE X ±	ONE PLACE .X ±	TWO PLACE .XX ±	THREE PLACE .XXX ±	FOUR PLACE .XXXX ±	ANGLES X ±	THIRD ANGLE PROJECTION	DRAWN TSM 27SEP99	CHECK SAV 27SEP99	<p style="text-align: center;"><b>Honeywell</b></p> <p style="text-align: center;"><b>MASS AIRFLOW SENSOR</b></p>			
<p>THIS DRAWING COVERS A PROPRIETARY ITEM AND IS THE PROPERTY OF HONEYWELL. THIS DRAWING IS NOT TO BE COPIED OR USED WITHOUT THE PERMISSION OF HONEYWELL.</p>								<p>INTERPRET PER ANSI Y14.5M-1982 OTHER HONEYWELL ENGINEERING STANDARDS MAY APPLY</p>					
<p>Pro/ENGINEER 2D</p>								SIZE C	TYPE I	DRAWING NAME AWM3205V	REV 3		
								SCALE 3:1	SHEET 1 OF 1				