

MICRO SWITCH

FREEDPORT ILLINOIS, U.S.A
A DIVISION OF HONEYWELL
FED. MFG. CODE 91929

SWITCH-BASIC

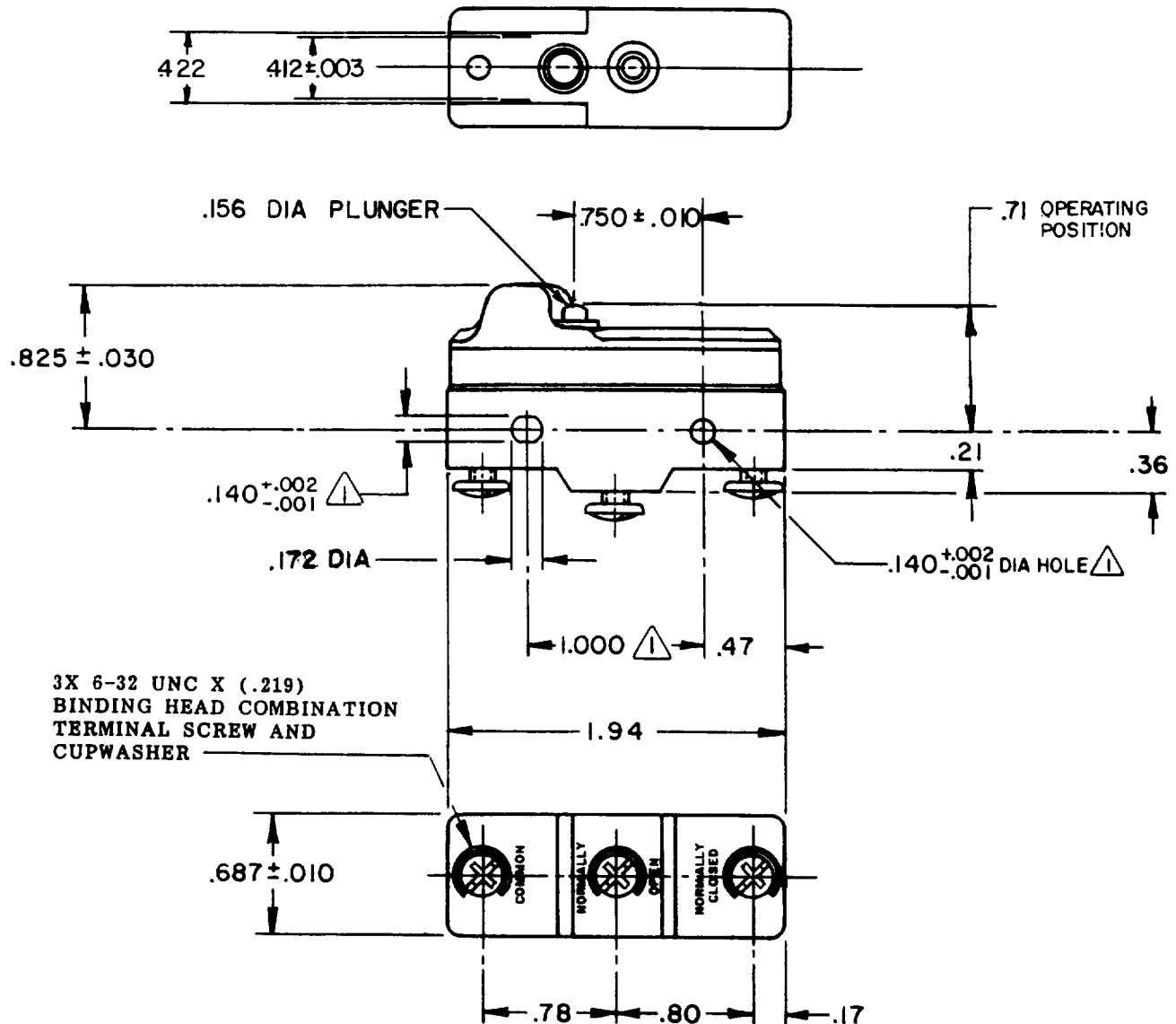
CATALOG LISTING

BA-R358-A2

ABE0494

CATALOG LISTING
PAGE 1 OF 1
ISSUE 7
REPLACES BA-R358-A2
RELEASE NO. PR-12511

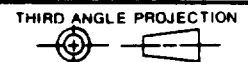
REVISIONS	CHECK	DATE
A 0054298 G J W 25 FEB 84	21FEB06	
B CO-73287-J J A L 22 NOV 93	RJ	
C CO-77590 SAD 7 JUNE 94		
D CO92853 J A K 27 MAR 98	CHECK	
E CO93346 D L T 31 AUG 98	CHECK	
F 0018656 N M 21 FEB 06	CHECK	



3X 6-32 UNC X (.219)
BINDING HEAD COMBINATION
TERMINAL SCREW AND
CUPWASHER

NOTE
MOUNTING HOLES WILL ACCEPT PINS OR SCREWS
OF .139 MAX DIA ON 1.000 ± .002 CENTERS

THIS DRAWING COVERS A PROPRIETARY ITEM AND IS THE PROPERTY OF MICRO SWITCH, A DIVISION OF HONEYWELL. THIS DRAWING IS NOT TO BE COPIED OR USED WITHOUT THE APPROVAL OF MICRO SWITCH.



CHARACTERISTICS
OPERATING FORCE----- 6-10 OZ
RELEASE FORCE ----- 4 OZ MIN
DIFFERENTIAL TRAVEL ---.003-.007
OVERTRAVEL ----- .010 MIN

ELECTRICAL DATA
CONTACT ARRANGEMENT S P D T
L65 15A 125, 250 OR 480 VAC 1/2 HP 125 VAC, 1 HP 250 VAC
L288 L306 L315
16A 250V ~ T85 5E4

SCALE	FULL			
DO NOT SCALE PRINT				
TOLERANCES				
APPLY TO DESIGN UNITS. CONVERSIONS ARE ONLY FOR REFERENCE. UNLESS NOTED, TOLERANCES ARE ±				
NO PLACES	DIM. IN INCHES	TOL. IN INCHES	DIM. IN MILLIMETERS	TOL. IN MILLIMETERS
ONE PLACE	X	1/64	X	0.0762
TWO PLACES	X, X	0.0010	X, X	0.0254
THREE PLACES	X, X, X	0.0001	X, X, X	0.00254
DESIGN UNITS		SI METRIC	US CUSTOMARY	
		<input type="checkbox"/>	<input checked="" type="checkbox"/>	
WEIGHT				

FORMTEK
FO-52848-A
DRAWN
KEW 28 OCT 83