

MICRO SWITCH

FREEPORT ILLINOIS, U.S.A
A DIVISION OF HONEYWELL

FED. MFG. CODE 91929

SWITCH-BASIC

CATALOG LISTING

BE-2RV5-A2

BE-2RV5-A2

M

DRAWING NUMBER

8

X

X

ISSUE

8

REPLACES X43666-BE

RELEASE NO. PR-1138

CHECK

CHECK

CHECK

CHECK

CHECK

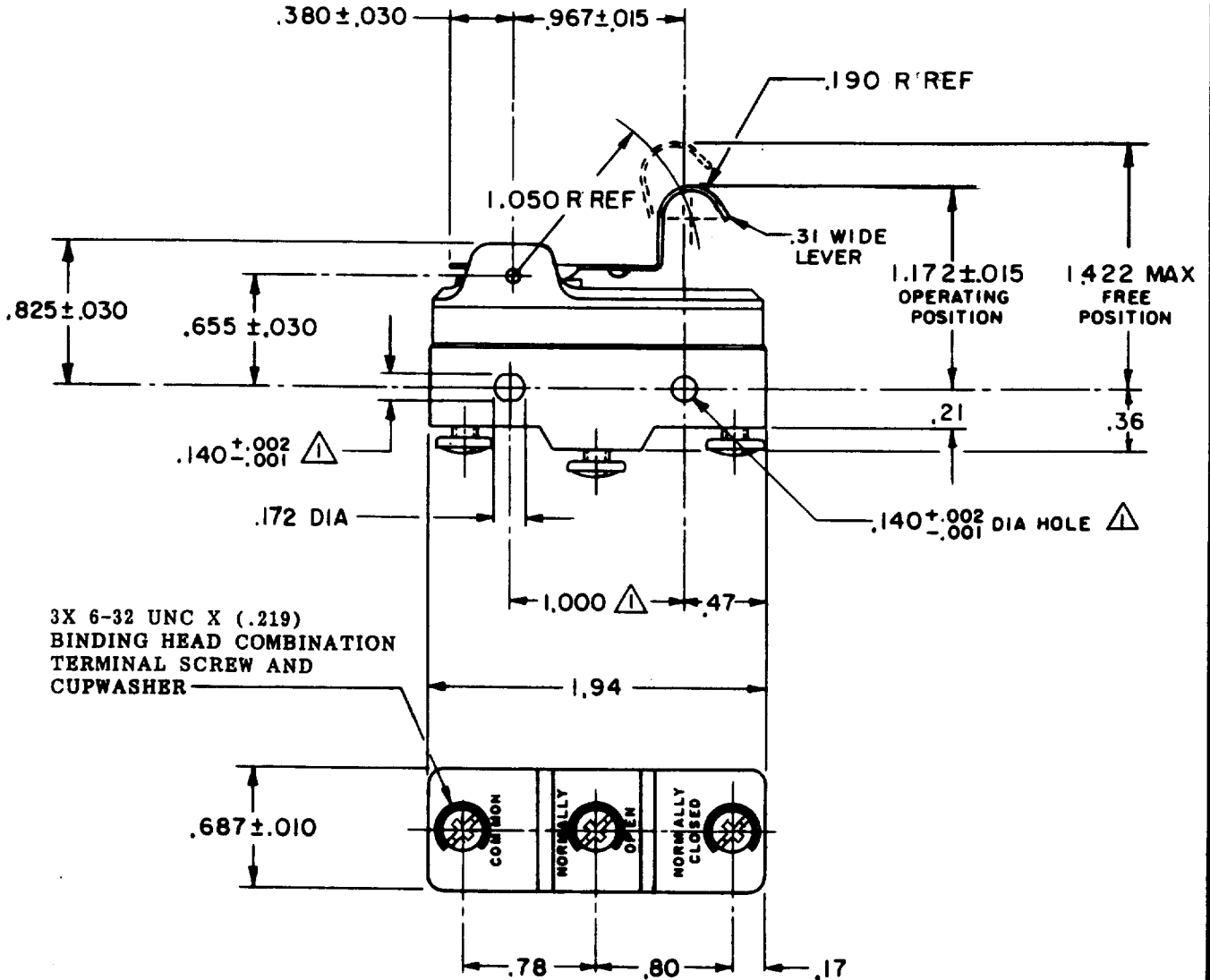
CHECK

CHECK

CHECK

CHECK

CHECK



3X 6-32 UNC X (.219)
BINDING HEAD COMBINATION
TERMINAL SCREW AND
CUPWASHER

NOTE -
▲ - MOUNTING HOLES WILL ACCEPT PINS OR SCREWS
OF .139 MAX DIA ON 1.000 ± .002 CENTERS

THIS DRAWING COVERS A PROPRIETARY ITEM AND IS THE PROPERTY OF MICRO SWITCH, A DIVISION OF HONEYWELL. THIS DRAWING IS NOT TO BE COPIED OR USED WITHOUT THE APPROVAL OF MICRO SWITCH.

CHARACTERISTICS

OPERATING FORCE - - - - 6 OZ MAX
RELEASE FORCE - - - - 1 1/2 OZ MIN
PRETRAVEL - - - - .250 MAX
DIFFERENTIAL TRAVEL - - - .045 MAX
OVERTRAVEL - - - - .030 MIN

ELECTRICAL DATA

CONTACT ARRANGEMENT
S P D T
25-A-125, 250, 480 VAC 1 HP-125 VAC;
2 HP-250 OR 480 VAC; PILOT DUTY
750 VA-480 VAC, MAX; 60/75°C (Cu)



SCALE FULL

DO NOT SCALE PRINT
UNLESS OTHERWISE NOTED
DIMENSIONS ARE IN INCHES
TOLERANCES ARE:
ONE PLACE (.0) ± .030
TWO PLACE (.00) ± .015
THREE PLACE (.000) ± .005
ANGLES ± .005

WEIGHT

FO-30378-1A

DRAWN

MBS 3 FEB 70

LSD

11 FEB 70

11 FEB 70

11 FEB 70

11 FEB 70

11 FEB 70

11 FEB 70

11 FEB 70

11 FEB 70