



MICRO SWITCH

FREEPORT, ILLINOIS, U.S.A.
A DIVISION OF HONEYWELL

FED. MFG. CODE 91929

SWITCH - BASIC

CATALOG LISTING

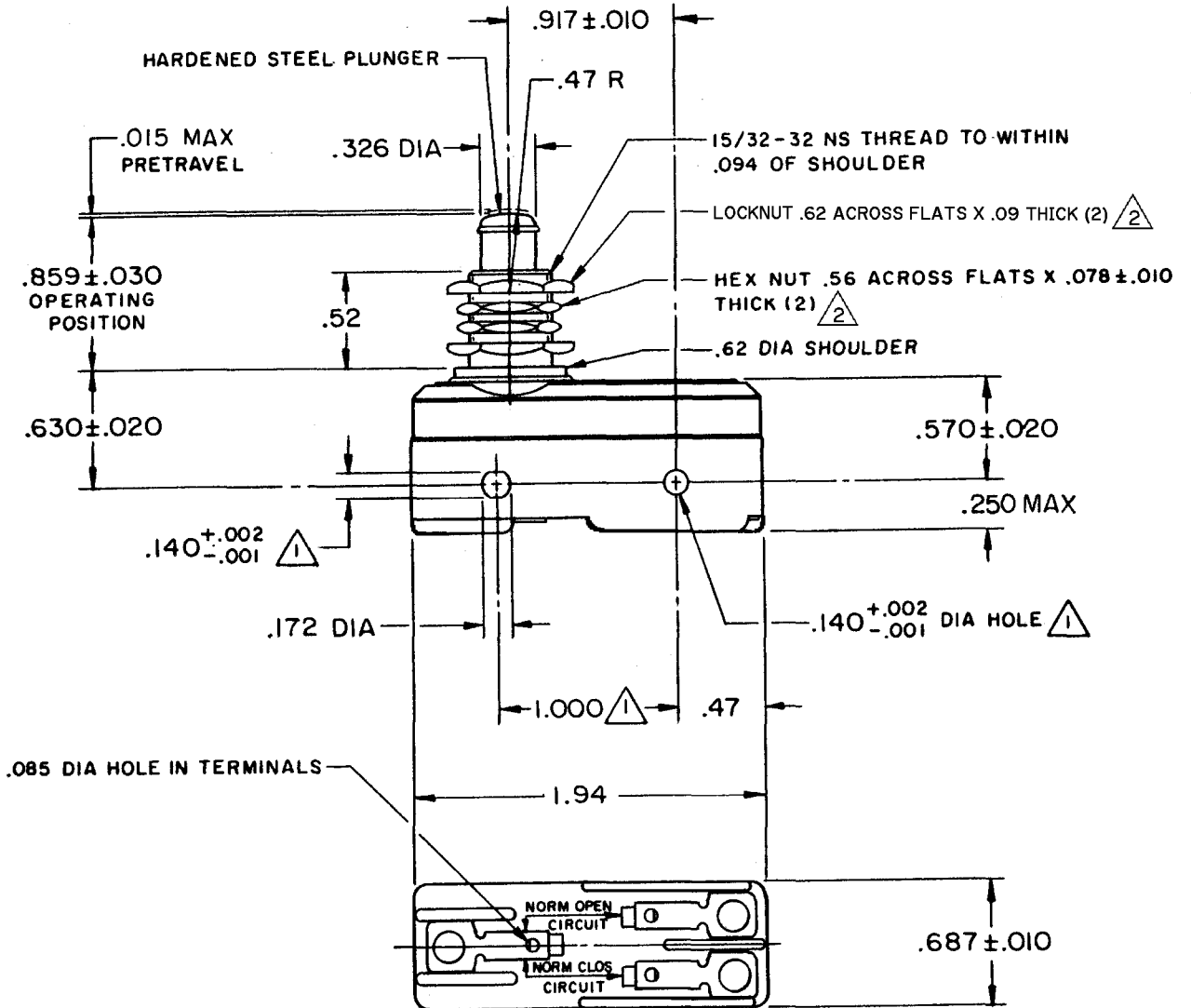
BZ-2RQ1

DRAWING NUMBER
BZ-2RQ1
PAGE 1 OF 1

ISSUE
M
16

REPLACES
RELEASE NO.

REVISIONS	
A	CO17410 G C H 9 SEP 63
B	CO46304 R J H 21 NOV 79
C	CO 58037 SMA 1 OCT 85
D	CO 78874 DLT 18 NOV 94
E	CO-82133 CSL 29 JUL 96
F	CO93346 DLT 10 SEP 98
G	CO-94212-J J J A 5 OCT 99



- NOTES
- 1 MOUNTING HOLES WILL ACCEPT PINS OR SCREWS OF .139 MAX DIA ON 1.000 ± .002 CENTERS
 - 2 HARDWARE FURNISHED UNASSEMBLED

THIS DRAWING COVERS A PROPRIETARY ITEM AND IS THE PROPERTY OF MICRO SWITCH, A DIVISION OF MINNEAPOLIS-HONEYWELL REGULATOR CO. THIS DRAWING IS NOT TO BE COPIED OR USED WITHOUT THE APPROVAL OF MICRO SWITCH.

CHARACTERISTICS	ELECTRICAL DATA	SCALE FULL
OPERATING FORCE ----- 9-13 OZ	CONTACT ARRANGEMENT S P D T	DO NOT SCALE PRINT
RELEASE FORCE ----- 4 OZ MIN	UNDERWRITERS' LAB. INC. LISTED RATING -L96- 15 A-125, 250, OR 480 VAC 1/2 A-125 VDC; 1/4 A-250 VDC 1/8 HP-125 VAC; 1/4 HP-250 VAC	UNLESS OTHERWISE NOTED DIMENSIONS ARE IN INCHES
DIFFERENTIAL TRAVEL ---- .0004 - .0020	-L288- -L299- -L306-	TOLERANCES ARE: ONE PLACE (.0) ± .030 TWO PLACE (.00) ± .015 THREE PLACE (.000) ± .005 ANGLES ±
OVERTRAVEL ----- .219 MIN	CE D SR 16A 250V ~ T85 5E4	WEIGHT .081 LB

FORMTEK
FO-80378

DRAWN
G C H
9 SEP 63

CHECK
30 SEPT 63

AW
D