

# MICRO SWITCH

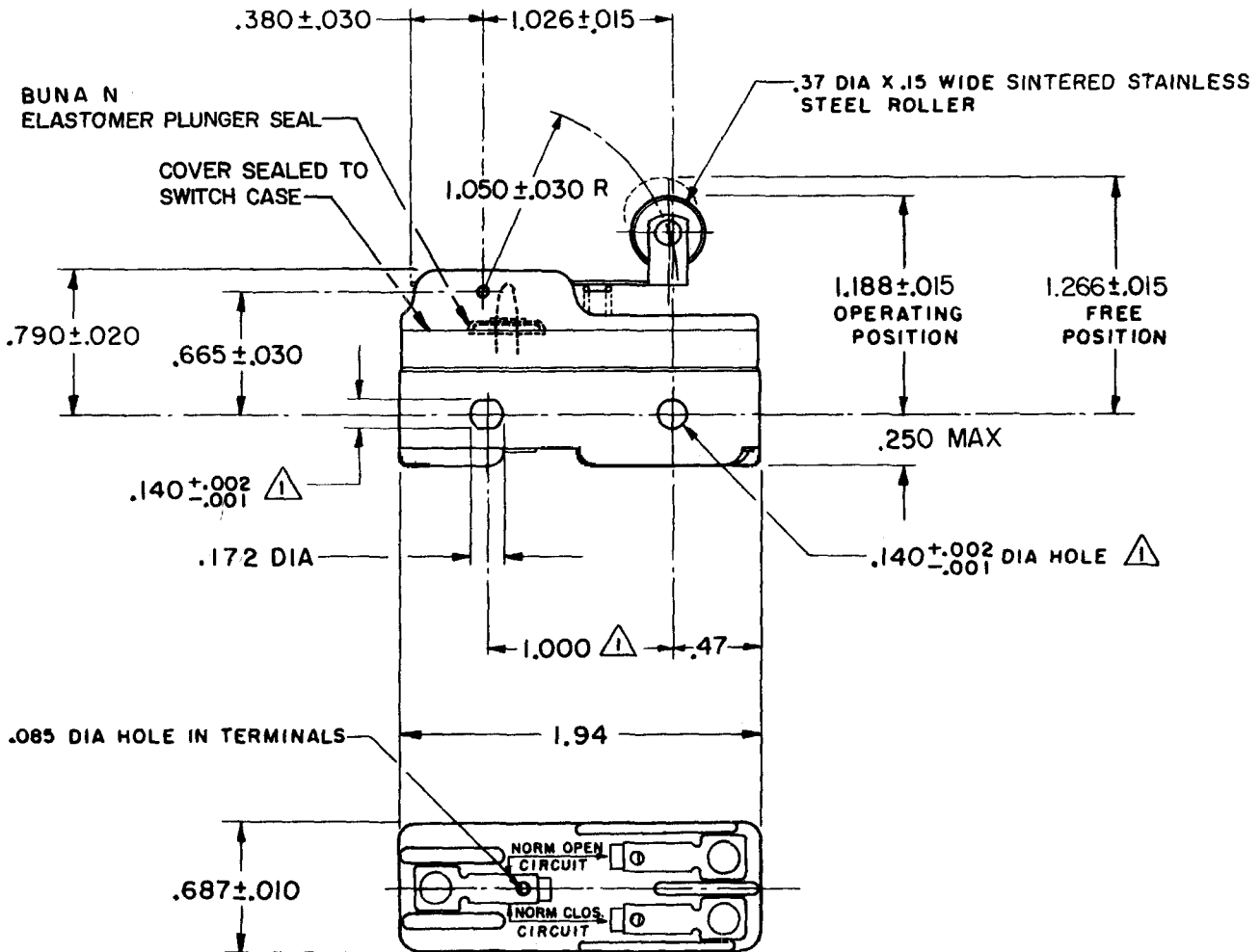
FREEPORT ILLINOIS, U. S. A  
A DIVISION OF HONEYWELL

FED. MFG. CODE 91929

# SWITCH-BASIC

CATALOG LISTING

# BZ-2RW822551



### NOTES

- 1 MOUNTING HOLES WILL ACCEPT PINS OR SCREWS OF .139 MAX DIA ON 1.000 ± .002 CENTERS.
- 2 - SEALED CONSTRUCTION PROVIDES SPLASH RESISTANCE

THIS DRAWING COVERS A PROPRIETARY ITEM AND IS THE PROPERTY OF MICRO SWITCH, A DIVISION OF HONEYWELL. THIS DRAWING IS NOT TO BE COPIED OR USED WITHOUT THE APPROVAL OF MICRO SWITCH.

### CHARACTERISTICS

OPERATING FORCE ----- 6 OZ MAX  
RELEASE FORCE ----- 1 1/2 OZ MIN  
DIFFERENTIAL TRAVEL ----- .003-.020  
OVERTRAVEL ----- .094 MIN

### ELECTRICAL DATA

CONTACT ARRANGEMENT  
S P D T

**L96** 15A 125, 250 OR 480 VAC  
1/8 HP 125 VAC, 1/4 HP 250 VAC  
1/2A 125 VDC, 1/4A 250 VDC

L288  
L299  
L306

CE Ⓟ Ⓡ Ⓢ

16A 250V ~ T85 5E4

### SCALE FULL

DO NOT SCALE PRINT

UNLESS OTHERWISE NOTED  
DIMENSIONS ARE IN INCHES  
**TOLERANCES ARE**

ONE PLACE (.0) ± .030  
TWO PLACE (.00) ± .015  
THREE PLACE (.000) ± .005  
ANGLES ±

WEIGHT .066 LB

DRAWING NUMBER  
**BZ-2RW822551**

ISSUE  
**M**  
9

REVISIONS	
A	CO046304 J A P 13 OCT 79
B	CO 58037 SMA 1 OCT 85
C	CO067209 J A P 3 MAY 90
D	CO 70184-H G R T 2 JUN 92
E	CO- 75204B DAW 1 FEB 94
F	CO78874 DLT 19 NOV 94
G	CO93346 DLT 18 SEP 98
H	CO- 94212-J J J A 6 OCT 99

FORMTEK  
FO-52848  
DRAWN  
K P K110 MAY 74

REPLACES  
PR-4052  
CHECK  
13 MAY 74  
CHECK  
13 MAY 74  
CHECK  
13 MAY 74