

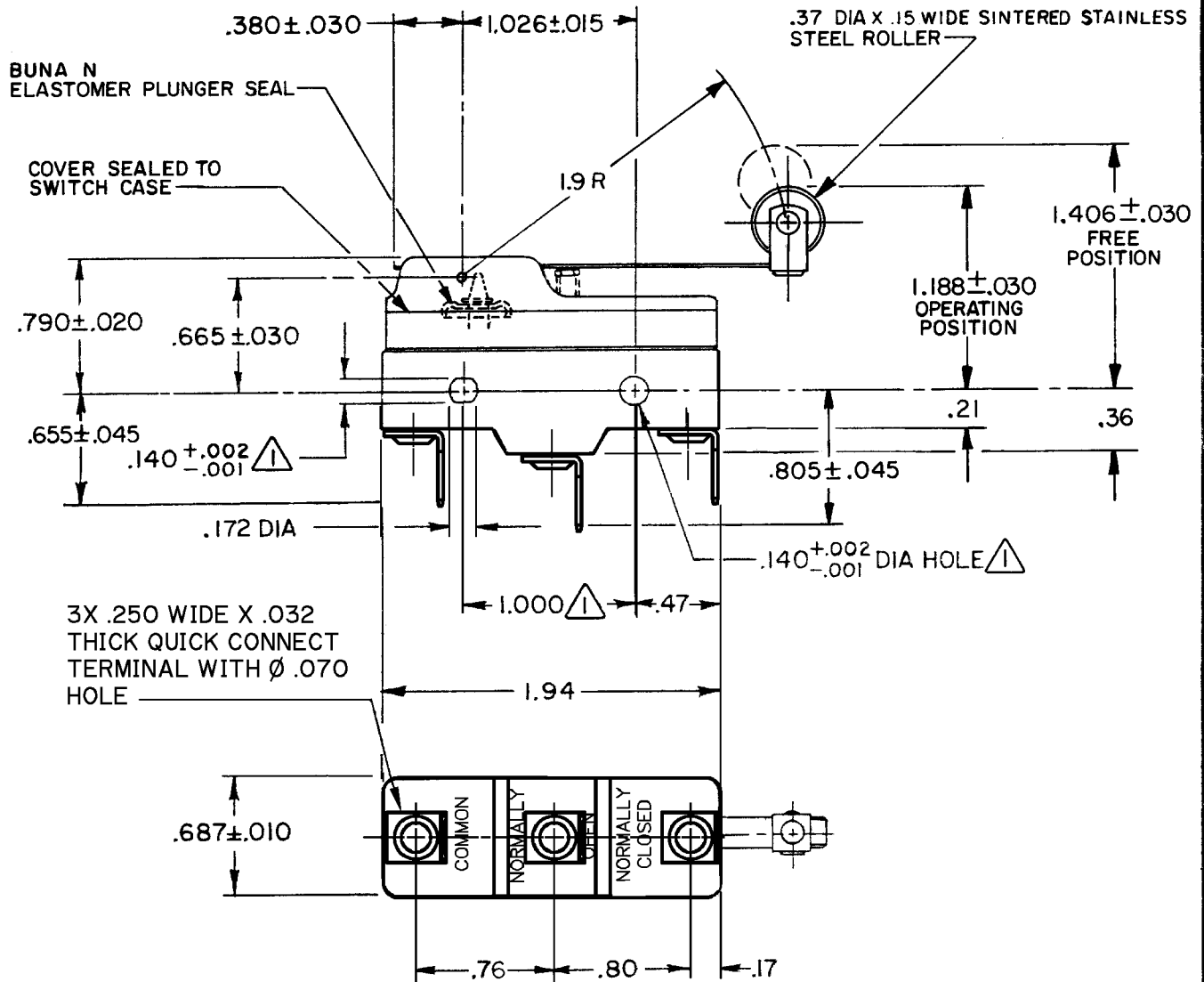
MICRO SWITCH

FREEPORT ILLINOIS, U.S.A
A DIVISION OF HONEYWELL
FED. MFG. CODE 91929

SWITCH - BASIC

CATALOG LISTING
BZ-2RW825551-D6

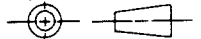
APZ4260



- NOTES**
- ▲ MOUNTING HOLES WILL ACCEPT PINS OR SCREWS OF .139 MAX DIA ON 1.000 ± .002 CENTERS
 - 2 - SEALED CONSTRUCTION PROVIDES SPLASH RESISTANCE

THIS DRAWING COVERS A PROPRIETARY ITEM AND IS THE PROPERTY OF MICRO SWITCH, A DIVISION OF HONEYWELL. THIS DRAWING IS NOT TO BE COPIED OR USED WITHOUT THE APPROVAL OF MICRO SWITCH.

THIRD ANGLE PROJECTION



CHARACTERISTICS

OPERATING FORCE ——— 3 1/2 OZ MAX
 RELEASE FORCE ——— 3/4 OZ MIN
 DIFFERENTIAL TRAVEL ——.004 —.040
 OVERTRAVEL ——— .156 MIN

ELECTRICAL DATA

CONTACT ARRANGEMENT
S P D T

L96 15A 125, 250 OR 480 VAC
 1/8 HP 125 VAC, 1/4 HP 250 VAC
 1/2A 125 VDC, 1/4A 250 VDC

L288
L315
L306



16A 250V ~ T85 5E4

SCALE FULL

DO NOT SCALE PRINT

TOLERANCES
APPLY TO DESIGN UNITS. CONVERSIONS ARE ONLY FOR REFERENCE. UNLESS NOTED, TOLERANCES ARE ±

DIM.	TOL.	DIM.	TOL.
mm	mm/in	in	mm/in
NO PLACES	X	1/04	X, X
ONE PLACE	X, X	0.4/016	X, X
TWO PLACES	X, X, X	0.15/006	X, X, X
THREE PLACES	X, X, X, X	0.131/005	X, X, X, X
ANGLES			

DESIGN UNITS SI METRIC US CUSTOMARY

WEIGHT .079 LB

M BZ-2RW825551-D6
 DRAWING NUMBER
 PAGE 1 OF 1
 ISSUE 7
 REVISIONS
 A C067209 J A P MAY 90
 B CO-75204B JWB 1 FEB 94
 C C080938 DLT 7 JUN 93
 D C093346 DLT 17 SEP 98
 E 200763 CSL 10 JUL 00
 F 0017579 KRB 08DEC05
 FORMTEK FO-52848-A DRAWN T M M II NOV 82 CHECK RJW 11 NOV 82
 REPLACES RELEASE NO. PR-11683