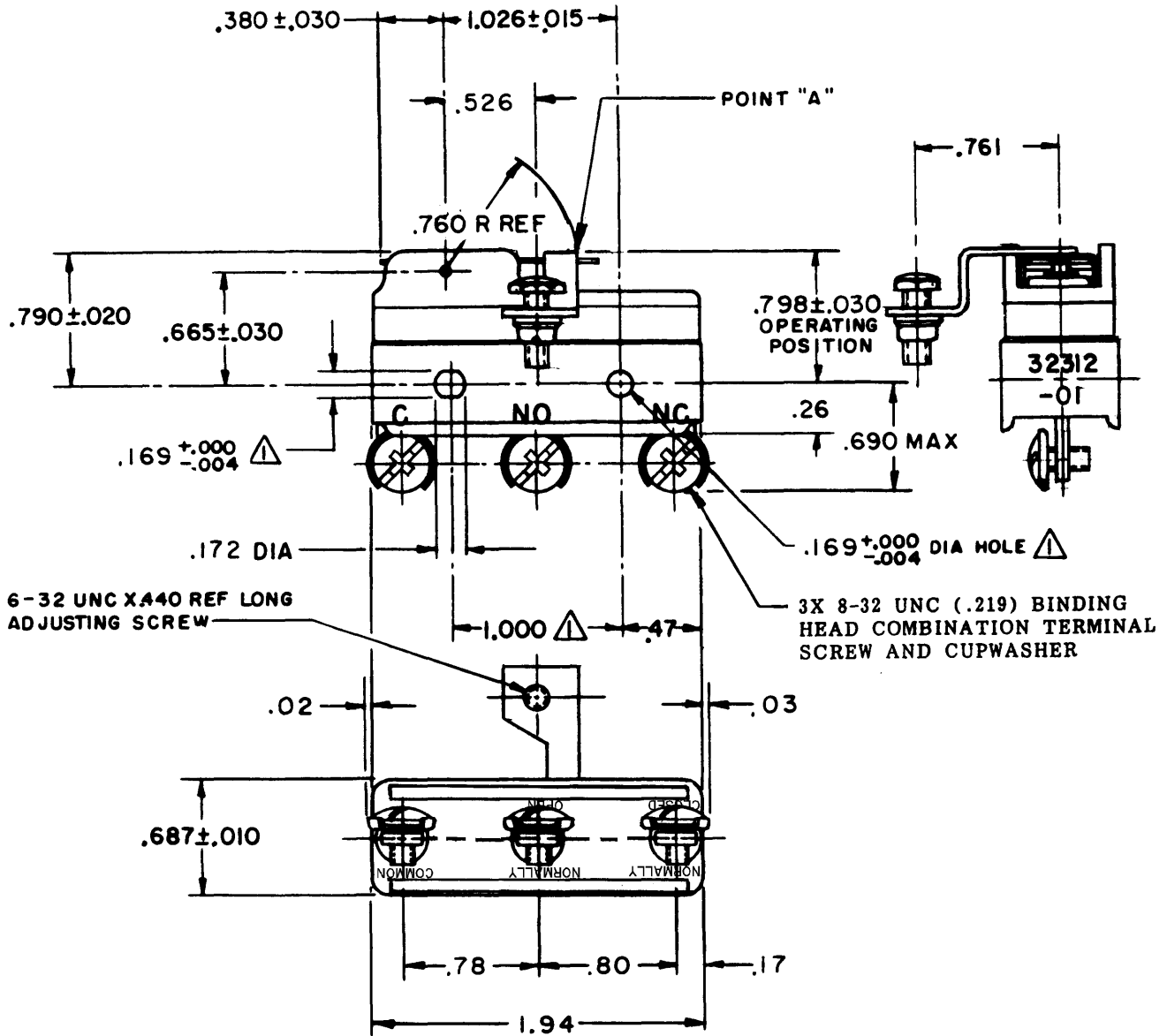


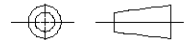
CATALOG LISTING  
**BZ-2RW843589-P4**  
PAGE 1 OF 1  
REPLACES SR-12851  
ISSUE 13



**NOTE -**  
⚠ - MOUNTING HOLES WILL ACCEPT PINS OR SCREWS OF .165 MAX DIA ON 1.000 ± .002 CENTERS

THIS DRAWING COVERS A PROPRIETARY ITEM AND IS THE PROPERTY OF MICRO SWITCH, A DIVISION OF HONEYWELL. THIS DRAWING IS NOT TO BE COPIED OR USED WITHOUT THE APPROVAL OF MICRO SWITCH.

THIRD ANGLE PROJECTION



CHARACTERISTICS AT POINT "A"	ELECTRICAL DATA	SCALE FULL	DO NOT SCALE PRINT
<b>OPERATING FORCE</b> — — — 1/4 OZ MAX	CONTACT ARRANGEMENT SPDT	<b>UNLESS OTHERWISE SPECIFIED TOLERANCES ARE</b> ONE PLACE (.0) ± .030 TWO PLACE (.00) ± .015 THREE PLACE (.000) ± .005 ANGLES ± WEIGHT .085 LB	
<b>RELEASE FORCE</b> — — — — 1/4 OZ MIN	UNDERWRITERS' LAB. INC. LISTED RATING		
<b>DIFFERENTIAL TRAVEL</b> — — — .016 MAX	-L9- 10A - 125, 250 OR 480 VAC		
<b>OVERTRAVEL</b> — — — — .035 MIN	1/2A - 125 VDC; 1/4A - 250 VDC		
<b>FOR OPTIMUM SWITCH LIFE DO NOT OVERTRAVEL MORE THAN .120</b>	-L 288-		



REVISIONS  
A CO 77863  
G J W 8 MAY 96  
B C093346  
D L T 14 AUG 98  
CHECK  
CHECK  
CHECK  
DRAWN G J W 8 MAY 96  
FORMTEK