

# MICRO SWITCH

FREEPORT ILLINOIS, U.S.A  
A DIVISION OF HONEYWELL  
FED. MFG. CODE 91929

# SWITCH-BASIC

CATALOG LISTING

# BZ-R55-S

BZ-R55-S

PAGE 1 OF 1

M

DRAWING NUMBER

8

ISSUE

REPLACES

RELEASE NO. PR-6725

CHECK

CHECK

17 OCT 77

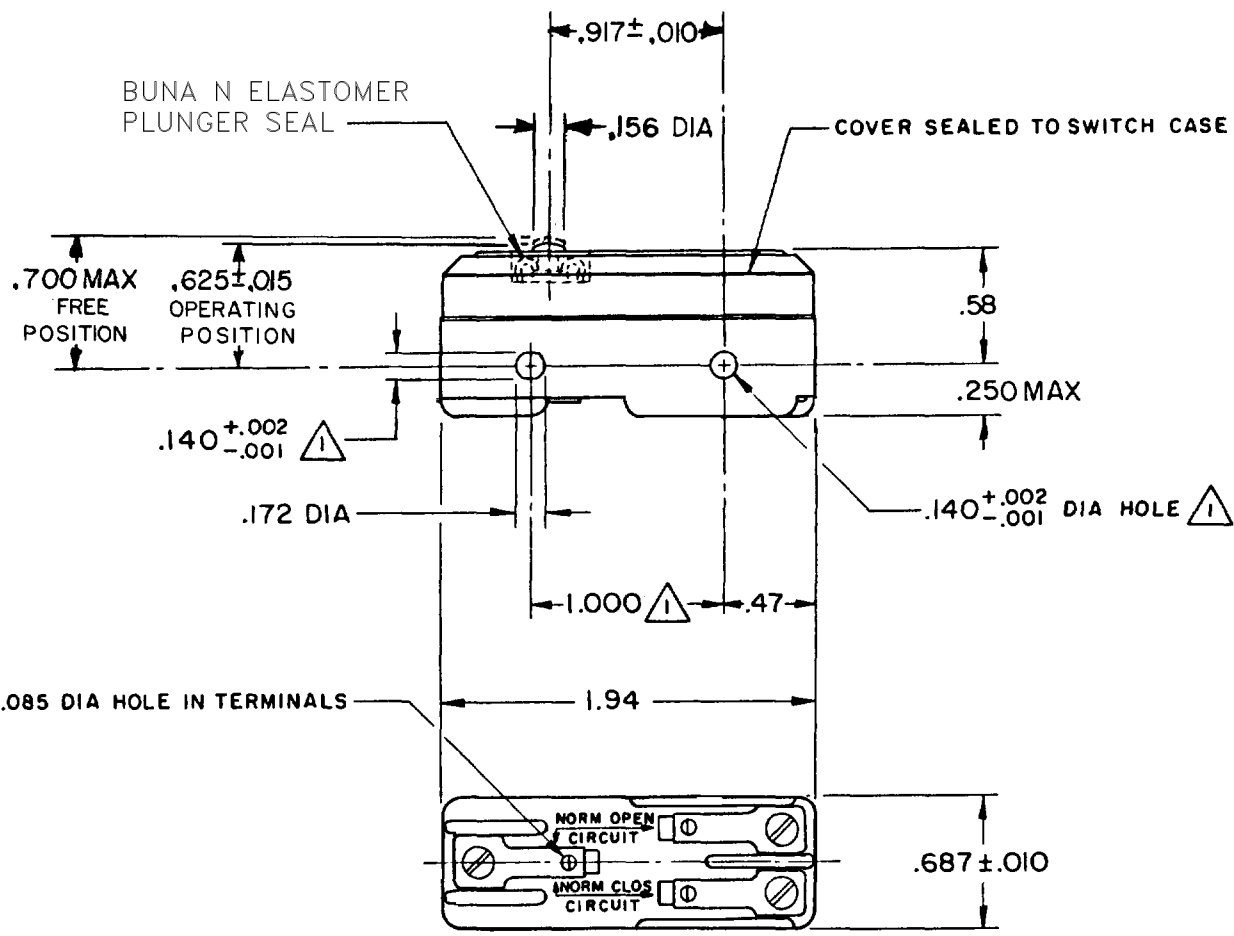
CHECK

10 OCT 77

REVISIONS

A	CO-78656-B
	JALA
	25 JUL 95
B	CO-84234
	LJK
	8 MAR 99

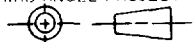
FORMTEK



NOTE-  
 1 MOUNTING HOLES WILL ACCEPT PINS OR SCREWS OF .139 MAX DIA ON 1.000 ± .002 CENTERS  
 2 - SEALED CONSTRUCTION PROVIDES SPLASH RESISTANCE

THIS DRAWING COVERS A PROPRIETARY ITEM AND IS THE PROPERTY OF MICRO SWITCH, A DIVISION OF HONEYWELL. THIS DRAWING IS NOT TO BE COPIED OR USED WITHOUT THE APPROVAL OF MICRO SWITCH.

THIRD ANGLE PROJECTION



CHARACTERISTICS	
OPERATING FORCE	— 6 1/2-10 OZ
RELEASE FORCE	— —4 OZ MIN
DIFFERENTIAL TRAVEL	—.0002-.0005
OVERTRAVEL	— —.005 MIN

ELECTRICAL DATA	
CONTACT ARRANGEMENT S P D T	
UL LISTED-FILE E12252 CODE L103 15A-125, 250 OR 480 VAC 1/8 HP-125 VAC; 1/4 HP-250 VAC	

SCALE FULL			
DO NOT SCALE PRINT			
TOLERANCES			
APPLY TO DESIGN UNITS. CONVERSIONS ARE ONLY FOR REFERENCE. UNLESS NOTED, TOLERANCES ARE Z			
DIM.	TOL.	DIM.	TOL.
mm	mm/in	in	mm/in
NO PLACES	X	1/04	X X
ONE PLACE	X,X	0.4/018	X X X
TWO PLACES	X,X,X	0.15/.006	X X X X
THREE PLACES	X,X,X,X		X X X X X
ANGLES			
SI METRIC		US CUSTOMARY	
DESIGN UNITS		WEIGHT	