

THIS DRAWING COVERS A PROPRIETARY ITEM AND IS THE PROPERTY OF MICRO SWITCH, A DIVISION OF HONEYWELL. THIS DRAWING IS NOT TO BE COPIED OR USED WITHOUT THE APPROVAL OF MICRO SWITCH.

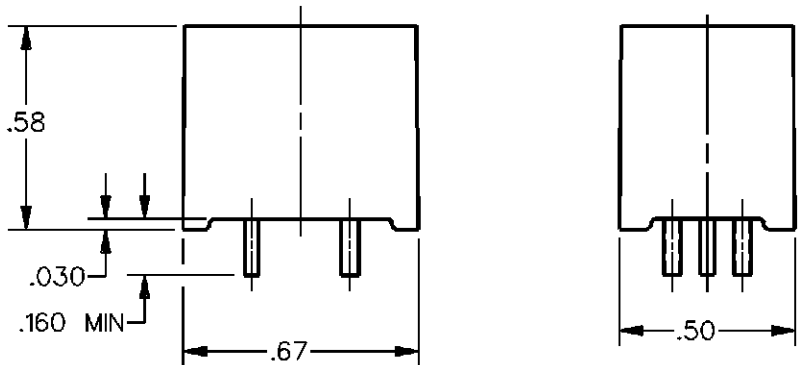
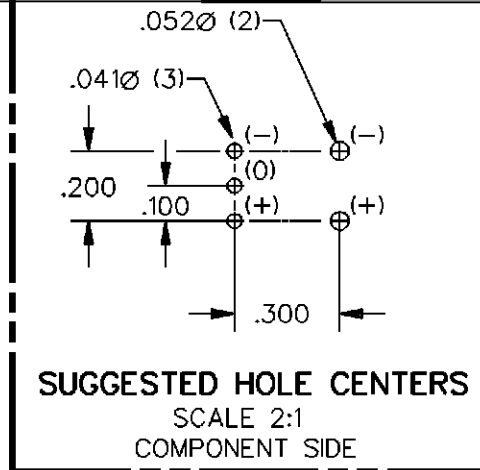
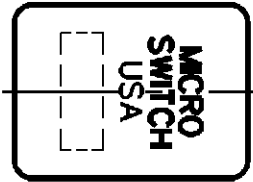
CATALOG LISTING
CSDD1EC
PAGE 1 OF 1
RELEASE NO. DR-3709-2
REPLACES X87332-CS

ISSUE **3**

REVISIONS
A CO-95704
DLM 13 MAR 00

CHECK
13 MAR 00
SAV
13 MAR 00

FORMTEK
DRAWN
DLM 13 MAR 00



CHARACTERISTICS	
SUPPLY VOLTAGE	4.5 TO 24 VOLTS
SUPPLY CURRENT	22mA MAX, 16mA TYP
TEMPERATURE	-25 TO 85°C
CURRENT: OPERATING	5.0 AMPS ±5% (@25°C)
RELEASE	3.8 AMPS MIN (@25°C)
MAX CONTINUOUS	20 AMPS
OUTPUT CURRENT	40mA MAX SINK
Vsat	.4 VOLTS MAX
RESISTANCE	5 mΩ
INDUCTANCE	4 μH

NOTE
1 - ELECTRICAL CONNECTIONS INDICATED ON BOTTOM OF DEVICE



THIRD ANGLE PROJECTION	
SCALE 2:1	DO NOT SCALE PRINT
UNLESS OTHERWISE SPECIFIED TOLERANCES ARE	
ONE PLACE (.0)	±.030
TWO PLACE (.00)	±.015
THREE PLACE (.000)	±.005
ANGLES	±
WEIGHT	