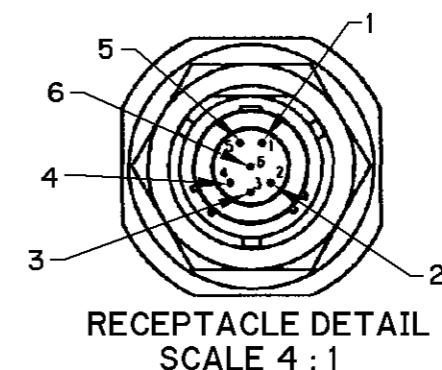


SECTION A-A

- NOTES
- ① SWITCH SEALED PER MIL-PRF-8805, SYMBOL 4
 - ② PRINT CIRCUIT DIAGRAM, CATALOG LISTING, DATE CODE, FEDERAL MANUFACTURING CODE AND CUSTOMER PART NUMBER 13212969 ON NAMEPLATE
 - ③ RECEPTACLE PART NUMBER MS27468T9B35P
 - ④ ENCLOSURE: CONVERSION COAT PER MIL-C-5541, CLASS 1A (ALODINE). APPLY PAINT IN ACCORDANCE WITH MIL-C-53039A AND COLOR NUMBER 34094 (FOREST GREEN)
 - ⑤ ENCLOSURE UNSEALED
 - ⑥ SWITCH IS TYPE "HS" SELF ADJUSTING, TECHNICAL BROCHURE FOR INFORMATION
 - ⑦ 3X M6-1.0 INTERNAL THREADED HELICOIL, SEE "BACK VIEW SIDE" FOR LOCATION
 - ⑧ - LEVER PRETRAVEL = $2^\circ \pm 1^\circ$
 - ⑨ CABLE, SWITCH AND BACKSHELL, CABLE INTERFACE COVERED WITH HEAT SHRINK IAW M23053/4, CLASS 3 HEAT SHRINK
 - ⑩ 6X LEAD WIRES PER M22759/16-22 GAGE, DOUBLE SHIELDED PER QQ-B-575 GROUNDED TO SWITCH HOUSING AND ENCASED IN HEAT SHRINK PER M23053/1, CLASS 2
 - ⑪ - SHIELD, SWITCH HOUSING, AND BACKSHELL TERMINATIONS:
2.5m OHMS UNDER 0.10 AMP LOAD EACH JOINT



CATALOG LISTING
HS-1072
PAGE 1 OF 1
REPLACES
RELEASE NO. **PR-24189**
ISSUE
5
REVISIONS
A C096018 G J W 28 JAN 00
B CO-96098 J J A 16 FEB 00
C 0000600 C S L 1 JUL 03
D 0032651 J A 06AUG07
CHECK
PSR
06AUG07
16 AUG 99
16 AUG 99
J J A 16 AUG 99
DRAWN
J J A 16 AUG 99

THIS DRAWING COVERS A PROPRIETARY ITEM AND IS THE PROPERTY OF MICRO SWITCH, A DIVISION OF HONEYWELL. THIS DRAWING IS NOT TO BE COPIED OR USED WITHOUT THE APPROVAL OF MICRO SWITCH

CHARACTERISTICS	ELECTRICAL DATA
PRETRAVEL ----- .010 TO .030	CONTACT ARRANGEMENT 2X S P D T GOLD
OPERATING FORCE ----- 5 TO 30 LBS	LOAD AMPS 28 VDC AT SEA LEVEL
TOTAL TRAVEL ----- .250 MINIMUM	RESISTIVE 1 AMP
CLICK DISTANCE ----- .100 TO .150	INDUCTIVE 1/2 AMP
RELEASE FORCE ----- 4 LB MINIMUM	
ACTUATOR FORCE ----- 30 LB MAXIMUM	

THIRD ANGLE PROJECTION

SCALE **NONE**

DO NOT SCALE PRINT

UNLESS OTHERWISE SPECIFIED TOLERANCES ARE

ONE PLACE	(.0)	±.030
TWO PLACE	(.00)	±.015
THREE PLACE	(.000)	±.005

ANGLES ± **4°**

WEIGHT