

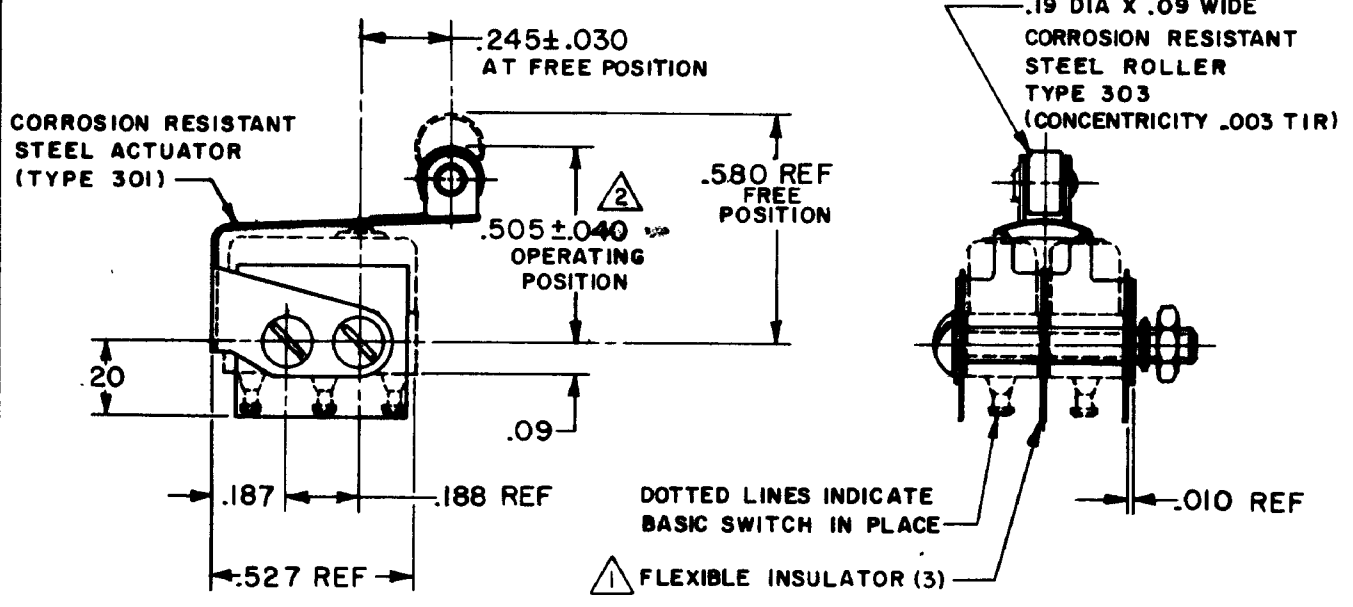
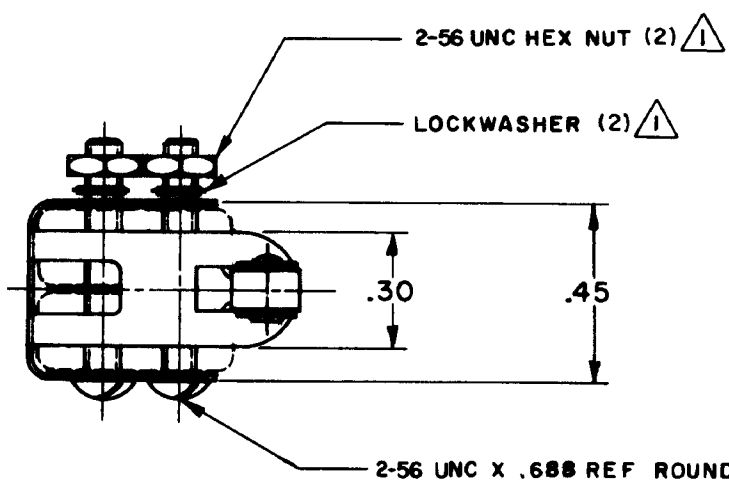
MICRO SWITCH
 A DIVISION OF MINNEAPOLIS-HONEYWELL REGULATOR COMPANY
 FARGO, MINN.
 FED. MFR. CODE 91929

ACTUATOR-SWITCH

CATALOG LISTING
JX-512

JX-512
 M
 DRAWING NUMBER
 X 8
 X 5
 ISSUE
 REVISIONS
 A CO 18310 M B F 18 SEP 61
 B CO 20462 M B F 6 AUG 65
 C CO 22579 OMW 1 MAY 67
 D CO 22579 M B S 19 APR 68
 E CO 47771 CJH 17 MAY 80
 F CO 79303 DAW 7 MAR 95
 G CO 82929 DLT 10 MAY 96
 LMH 19 JUL 61
 FO-50378

REPLACES
 RELEASE NO. SR 9808
 CHECK BLS 29 AUG 61
 MRD 20 JUL 61
 CHECK 30 AUG 61
 LAD
 CHECK 30 AUG 61
 JUL 61



NOTE -

$\triangle 1$ - FURNISHED UNASSEMBLED

$\triangle 2$ - SLIGHT ROTATION BETWEEN BASICS AND ACTUATOR MAY BE NECESSARY TO OBTAIN OPERATING POSITION

THIS DRAWING COVERS A PROPRIETARY ITEM AND IS THE PROPERTY OF MICRO SWITCH, A DIVISION OF MINNEAPOLIS-HONEYWELL REGULATOR CO. THIS DRAWING IS NOT TO BE COPIED OR USED WITHOUT THE APPROVAL OF MICRO SWITCH.

CHARACTERISTICS WITH OR WITHOUT BASIC SWITCH INSTALLED	ELECTRICAL DATA		SCALE 2 TO 1
	CONTACT ARRANGEMENT	BREAK DISTANCE	DO NOT SCALE PRINT
OPERATING FORCE ----- 15 OZ MAX			UNLESS OTHERWISE SPECIFIED DIMENSIONS ARE IN INCHES TOLERANCES ARE: ONE PLACE (.0) ±.030 TWO PLACE (.00) ±.015 THREE PLACE (.000) ±.005 ANGLES ±
RELEASE FORCE ----- 3 OZ MIN			
DIFFERENTIAL TRAVEL ----- .030 MAX			
OVERTRAVEL ----- .008 MIN			WEIGHT