

MICRO

MAKERS OF PRECISION SWITCHES
A DIVISION OF MINNEAPOLIS-HONEYWELL REGULATOR CO.
FREEPORT, ILLINOIS, U. S. A.

SWITCH-ACTUATOR

CATALOG LISTING

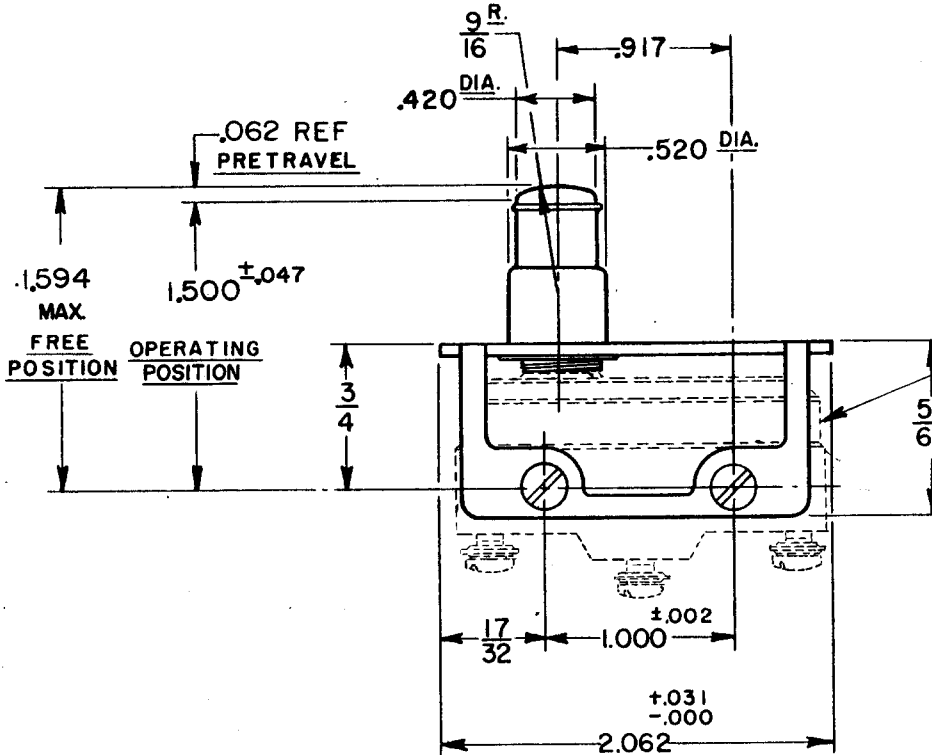
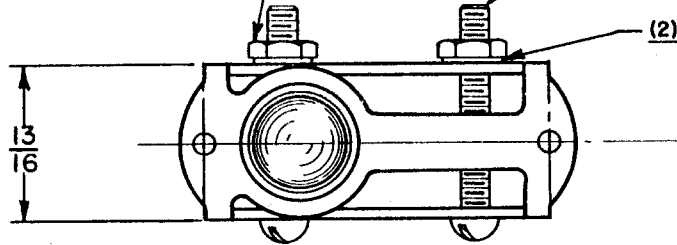
MD2721

FED. MFR. CODE 91929

(2) 6-32 UNC X $1\frac{1}{8}$ LONG ROUND
HEAD MACHINE SCREWS

(2) 6-32 UNC ST'D HEX. NUTS

(2) LOCKWASHERS



DOTTED LINES INDICATE
BASIC SWITCH IN PLACE

NOTE -

- 1- NUTS, SCREWS, AND LOCKWASHERS ARE FURNISHED UNASSEMBLED.
- 2- SWITCH WILL PERFORM SATISFACTORILY IN TEMPERATURE TO MINUS 65° F.

THIS DRAWING COVERS A PROPRIETARY ITEM AND IS THE PROPERTY OF MICRO SWITCH, A DIVISION OF HONEYWELL. THIS DRAWING IS NOT TO BE COPIED OR USED WITHOUT THE APPROVAL OF MICRO SWITCH.

CHARACTERISTICS

OVERTRAVEL ----- .187 MIN.
FORCE AT FULL TRAVEL ----- 7 LBS. MAX.

ELECTRICAL DATA

CONTACT ARRANGEMENT BREAK DISTANCE

SCALE FULL

DO NOT SCALE PRINT
UNLESS OTHERWISE SPECIFIED:
DIMENSIONS ARE IN INCHES
TOLERANCES ARE
FRACTIONS $\pm 1/64$
DECIMALS $\pm .010$
ANGLES \pm
WEIGHT

MD2721

M

DRAWING NUMBER

10

ISSUE

18

REVISIONS

A	NEW DRAWING
	P. R. H.
	19 OCT 53
B	C09870
	J. P. S.
	15 JULY 54
C	C.09614
	W. H. B.
	24 MAY 55
D	CO-36836
	J. A. L.
	25 MAR 76
E	CO44130
	S. J. S.
	25 APR 78
F	CO 79303
	S. A. D.
	6 MAR 95

(M) MD2721

REPLACES ISSUE 8

RELEASE NO.

15 JUNE 53

CNT

15 JUNE 53

CHECK

15 JUNE 53

CNT

15 JUNE 53

CHECK

15 JUNE 53

CNT

15 JUNE 53

CHECK

15 JUNE 53

CNT

15 JUNE 53

CHECK

15 JUNE 53

DRAWN

P. R. H.

19 OCT 53