

REV	DOCUMENT	CHANGED BY	CHECK
1	205839	GRT 18JUN02	SAV

OPERATING SPECIFICATION $\triangle 2$ $\triangle 5$

	LIMIT	TARGET ENGAGEMENT .150 TO .300 RPM 0 TO 5000 SLOT DEPTH .250 MIN
OPERATE $\triangle 3$	$1.5^\circ \pm 2.0^\circ$	
RELEASE $\triangle 4$	$3.0^\circ \pm 2.5^\circ$	

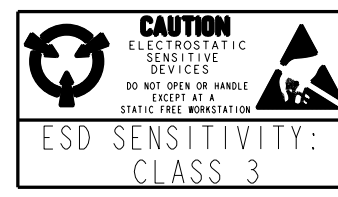
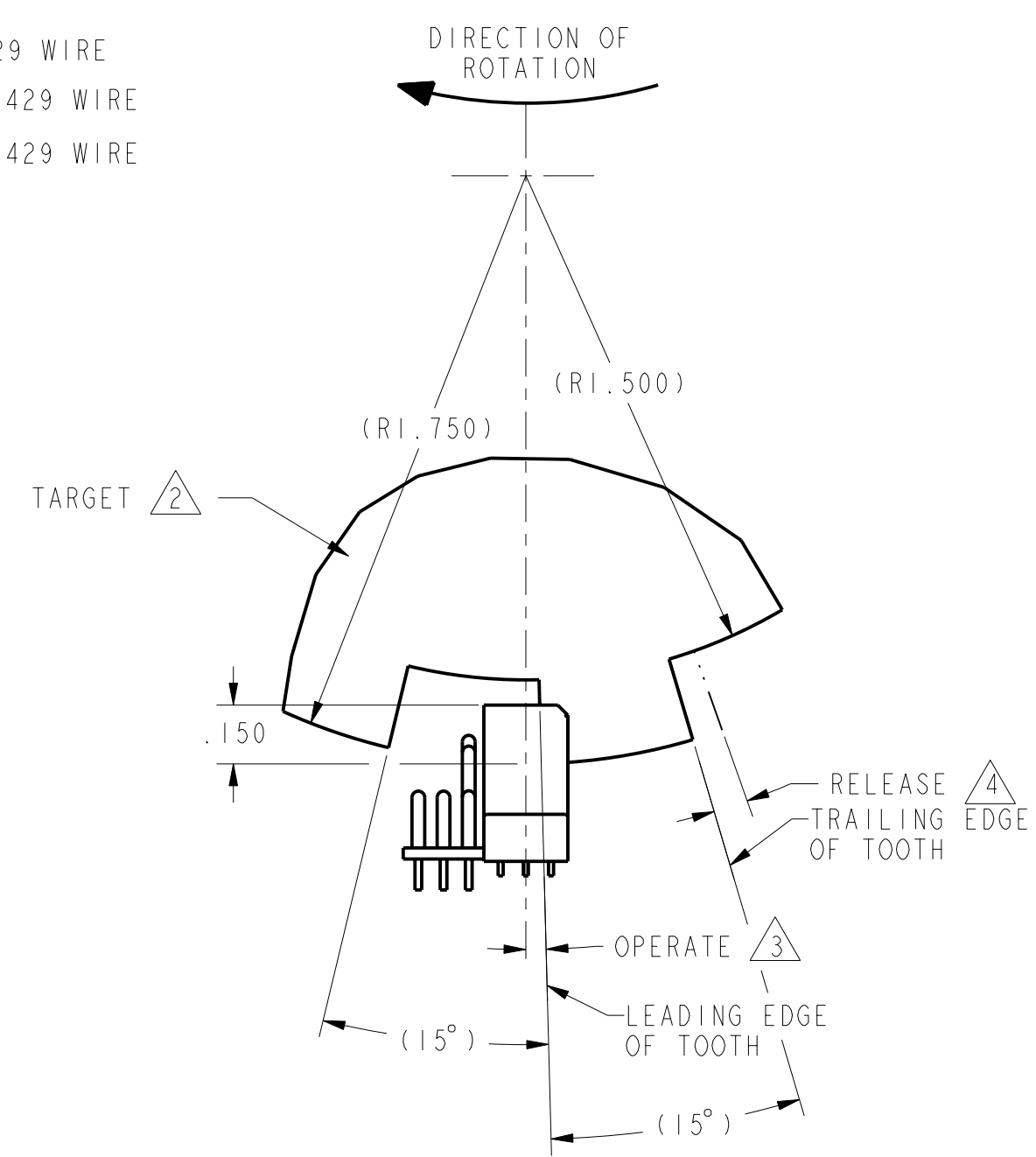
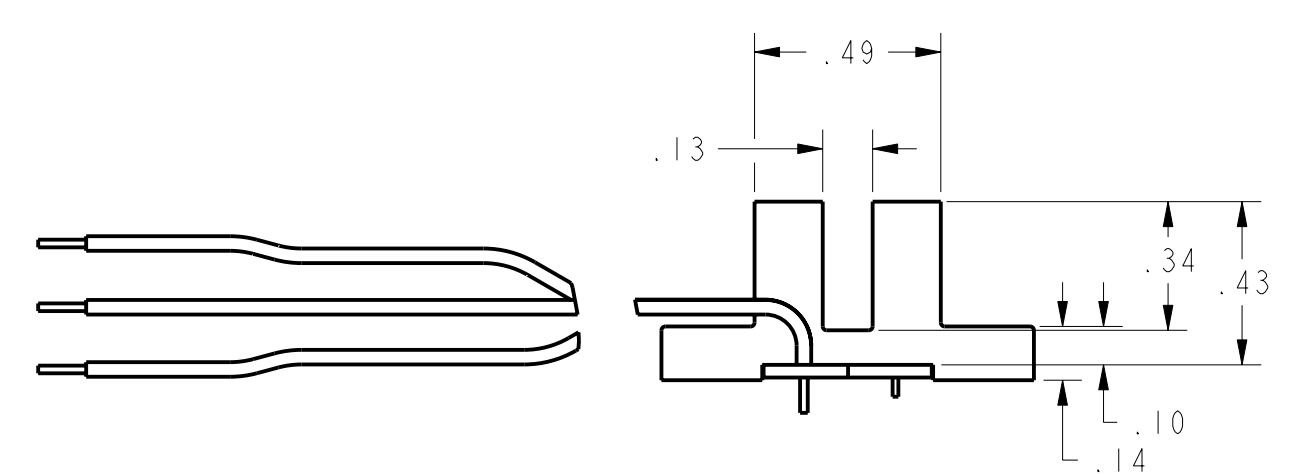
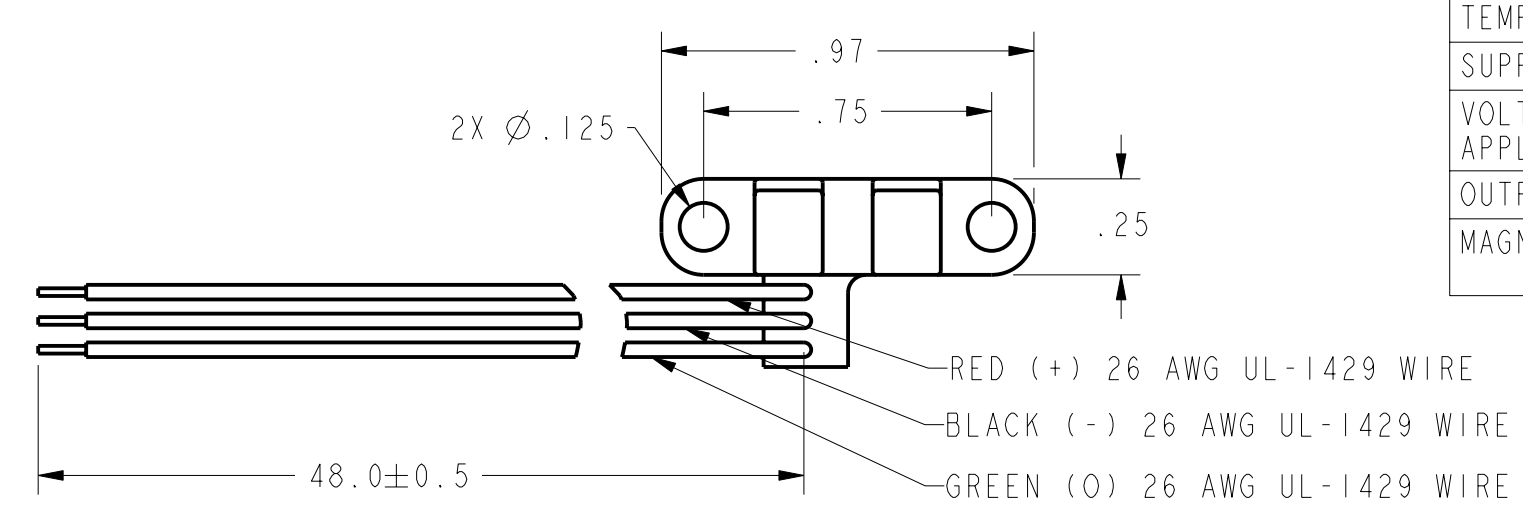
- NOTES
- 1 - MOUNTING SPECIFICATION: NON-FERROUS #4 MACHINE HEAD SCREWS WITH .25 O.D. WASHERS TORQUED TO 3-5 INCH LBS
 - $\triangle 2$ SUGGESTED TARGET CONFIGURATION, MATERIAL: .045 LOW CARBON STEEL
 - $\triangle 3$ OPERATE (DEGREES) IS THE ANGULAR DISTANCE FROM THE LEADING EDGE OF THE TOOTH TO THE CENTERLINE ON THE SENSOR
 - $\triangle 4$ RELEASE (DEGREES) IS THE ANGULAR DISTANCE FROM THE TRAILING EDGE OF THE TOOTH TO THE CENTERLINE OF THE SENSOR
 - $\triangle 5$ OPERATING SPECIFICATION IS BASED ON TARGET SHOWN AND WILL VARY WITH TARGET GEOMETRY

ELECTRICAL CHARACTERISTICS

	CONDITION	
SPECIFIED VOLTAGE RANGE		3.8 TO 30 VDC
MAX I _{off}	V _{cc} =30V, I _{sink} =20mA, -20°C<T<85°C, B>MAX OP	9.0 mA
MAX I _{on}	V _{cc} =30V, I _{sink} =20mA, -20°C<T<85°C, B>MAX OP	10.0 mA
RATED SINK CURRENT		20 mA
MAX V _{sat}	V _{cc} =3.8V, I _{sink} =20mA, B>MAX OP	0.4 V
MAX LEAKAGE CURRENT	V _{out} =30V, V _{cc} =24V, B<MIN REL	10 μ A
RISE TIME 10% TO 90%	T=25°C, V _{cc} =12V, R ₂ =1.6 K Ω , C ₂ =20pf	1.5 μ S
FALL TIME 90% TO 10%	T=25°C, V _{cc} =12V, R ₂ =1.6 K Ω , C ₂ =20pf	1.5 μ S

ABSOLUTE MAXIMUM RATINGS

TEMPERATURE	-20°C TO +85°C
SUPPLY VOLTAGE (V _s)	3.8 VDC TO 30 VDC
VOLTAGE EXTERNALLY APPLIED TO OUTPUT	-0.5 TO +30 VDC
OUTPUT CURRENT	50 mA
MAGNETIC FLUX	NO LIMIT, CIRCUIT CANNOT BE DAMAGED BY MAGNETIC OVERDRIVE



UNLESS OTHERWISE SPECIFIED TOLERANCES ARE:	*** US (inch) CUSTOMARY ***	*** SI (mm) METRIC ***	DRAWN	GRT	18JUN02
NO PLACE	X	\pm .040	CHECK	SAV	18JUN02
ONE PLACE	.X	\pm .030	THIS DRAWING COVERS A PROPRIETARY ITEM AND IS THE PROPERTY OF HONEYWELL. THIS DRAWING IS NOT TO BE COPIED OR USED WITHOUT THE PERMISSION OF HONEYWELL.		
TWO PLACE	.XX	\pm .015			
THREE PLACE	.XXX	\pm .005			
ANGLES		\pm			
RAW MATERIAL-COMMERCIAL STANDARD		\pm	DIMENSIONS ARE TO BE MET BEFORE PROTECTIVE COATINGS ARE APPLIED		
THIRD ANGLE PROJECTION			3D PTC	ASME Y14.5M-1994	

Honeywell			
TITLE VANE SENSOR-			
SIZE	DWG TYPE	DRAWING NAME	REV
C	I	SR16C-J8	1
SCALE 2 : 1	WEIGHT	SHEET	1 OF 1