

4.5 TO 24 VDC UNIPOLAR DEVICE

OPERATING CHARACTERISTICS

GAUSS	-40 TO 100° C
OPERATE MAX	220
RELEASE MIN	50
DIFF MIN	8

M SR2C-B4

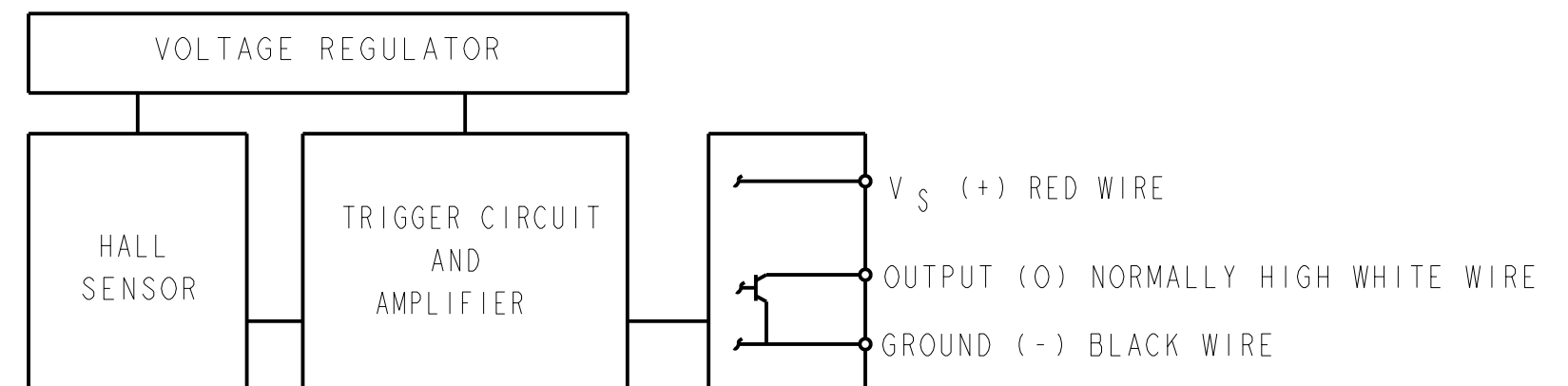
ABSOLUTE MAXIMUM RATINGS

SUPPLY VOLTAGE (V _S)	-1.0 VDC TO +25.0 VDC
VOLTAGE EXTERNALLY APPLIED TO OUTPUT	+25 VOLTS DC MAX WITH SWITCH IN "OFF" CONDITION ONLY -0.5 VOLTS MAX WITH SWITCH IN "OFF" OR "ON" CONDITION
OUTPUT CURRENT	40 mA (SINK PER OUTPUT)
TEMPERATURE OPERATE AND STORAGE	-40° C TO 100° C
MAGNETIC FLUX	NO LIMIT, THE CIRCUIT CANNOT BE DAMAGED BY MAGNETIC OVERDRIVE

ELECTRICAL CHARACTERISTICS

	MIN	TYP	MAX	REMARKS
SUPPLY CURRENT			10 mA	ON CONDITION
OUTPUT VOLTAGE (OPERATED)			0.4 V	SINKING 20 mA PER OUTPUT
OUTPUT LEAKAGE CURRENT (RELEASED)			20 μA	LEAKAGE INTO SWITCH OUTPUT
OUTPUT SWITCHING TIME (SINKING 8 mA)				
RISE TIME			1.5 μ SEC	10% TO 90%
FALL TIME			1.0 μ SEC	90% TO 10%

NOTE: THIS DEVICE IS NOT PROTECTED AGAINST HIGH ELECTRICAL NOISE. IF ERRATIC OPERATION OCCURS AFTER INSTALLATION, INSTALL A CAPACITOR ACROSS THE INPUT TERMINALS (0.1 MFD). IF ERRATIC OPERATION CONTINUES, YOU MAY HAVE TO USE THE INDUSTRIAL DEVICES THAT MICRO SWITCH MANUFACTURES. PLEASE CONTACT YOUR LOCAL FIELD REPRESENTATIVE FOR INFORMATION



NOTES

- ① FLUX ENTERING THE SOUTH POLE OF THE MAGNET WILL OPERATE THE SENSOR WHEN MAGNET IS POSITIONED AS SHOWN IN FIGURE 2. THIS ASSUMES THE CONVENTION THAT THE DIRECTION OF THE EXTERNAL FLUX OF A MAGNET IS FROM THE NORTH TO THE SOUTH POLE OF THE MAGNET
- ② 22 GAUGE PVC INSULATED CONDUCTORS WITH MOLDED PVC JACKET
- ③ DATE CODE LOCATED IN THIS AREA
- ④ FROM -40° C TO 100° C AND 4.5 TO 24 VOLTS
- ⑤ CATALOG LISTING LOCATED IN THIS AREA
- ⑥ SENSITIVE AREA IS LOCATED .050 BEHIND THE SENSING FACE
- ⑦ JACKET IS CUT BACK 1.37 INCHES FROM FREE END OF LEADS
- ⑧ ABSOLUTE MAXIMUM RATINGS ARE THE EXTREME LIMITS THAT THE DEVICE WILL WITHSTAND WITHOUT DAMAGE TO THE DEVICE. HOWEVER, THE ELECTRICAL AND MAGNETIC CHARACTERISTICS ARE NOT GUARENTEED AS THE MAXIMUM LIMITS (ABOVE RECOMMENDED OPERATING CONDITIONS) ARE APPROACHED, NOR WILL THE DEVICE NECESSARILY OPERATE AT ABSOLUTE MAXIMUM RATING

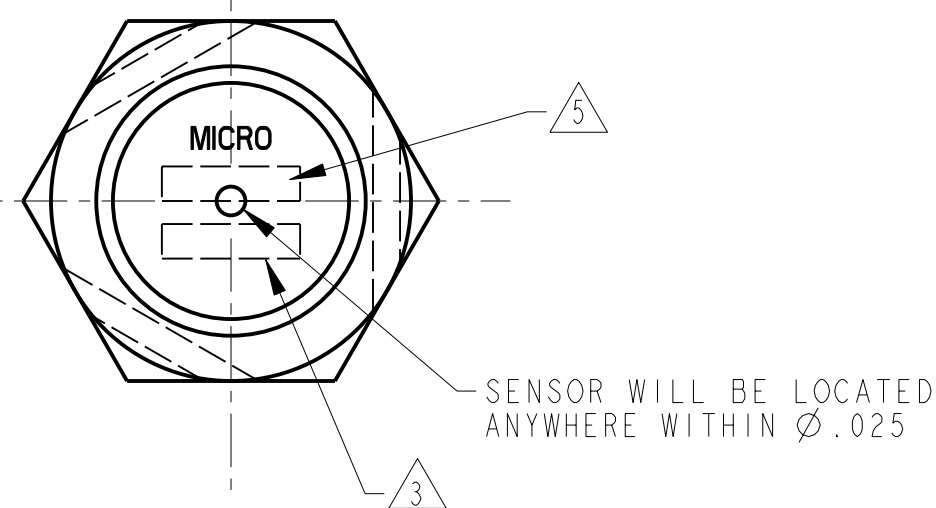
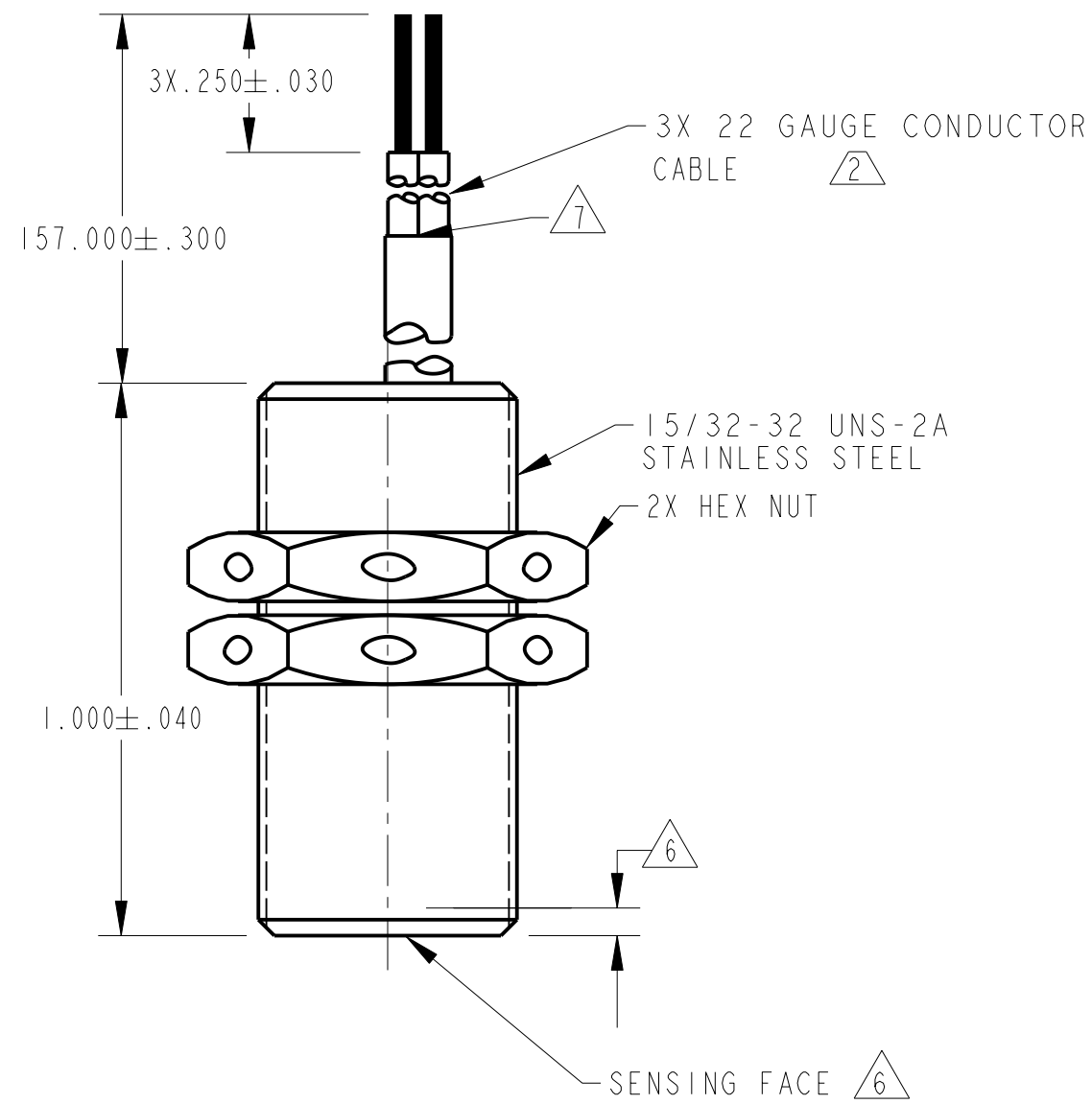


FIG. 1

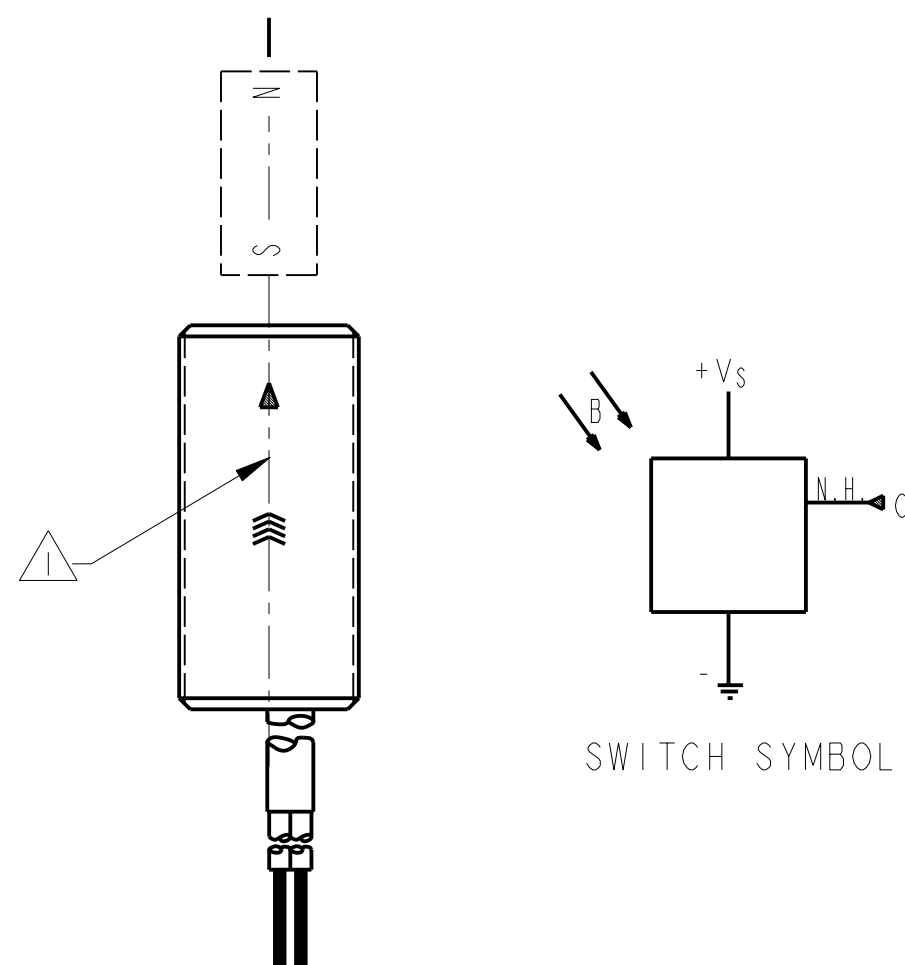


FIG. 2
OPERATE



ANSI Y14.5M-1982 APPLIES

THIS DRAWING COVERS A PROPRIETARY ITEM AND IS THE PROPERTY OF MICRO SWITCH, A DIVISION OF HONEYWELL. THIS DRAWING IS NOT TO BE COPIED OR USED WITHOUT THE APPROVAL OF MICRO SWITCH.		
MICRO SWITCH a Honeywell Division	MAGNETICALLY OPERATED CYLINDRICAL HALL SWITCH	CATALOG LISTING SR2C-B4
FED. MFG. CODE 91929		

THIRD ANGLE PROJECTION		
SCALE 3 : 1		
DO NOT SCALE PRINT		
UNLESS OTHERWISE SPECIFIED TOLERANCES ARE		
ONE PLACE	(.0)	±.030
TWO PLACES	(.00)	±.015
THREE PLACES	(.000)	±.005
ANGLES		±
WEIGHT		

P.T.C./CAD [20] DRAWN G.J.W. 8 DEC 00 CHECK SAV 8 DEC 00
 SR2C-B4 DRAWING NUMBER 3 ISSUE 3
 M SR2C-B4 DRAWING NUMBER 3
 RELEASE NO. PR-18705
 X91195-SR