

OPERATING CHARACTERISTICS \triangle \triangle

M SR4P2-C7

OPERATE MAX	25 GAUSS
RELEASE MIN	5 GAUSS
DIFF MIN	2 GAUSS
(TEMP RANGE -40°C TO 85°C)	

ABSOLUTE MAXIMUM RATINGS

SUPPLY VOLTAGE (VS) \triangle	3.8 VDC TO 30 VDC
VOLTAGE EXTERNALLY APPLIED TO OUTPUT	+30 VOLTS DC MAX WITH SWITCH IN "OFF" CONDITION ONLY -0.5 VOLTS MAX WITH SWITCH IN "OFF" OR "ON" CONDITION
OUTPUT CURRENT	20 mA
TEMPERATURE OPERATE AND STORAGE	-40°C TO 85°C
MAGNETIC FLUX	NO LIMIT, THE CIRCUIT CANNOT BE DAMAGED BY MAGNETIC OVERDRIVE

ELECTRICAL CHARACTERISTICS

	MIN	TYP	MAX	REMARKS
SUPPLY CURRENT \triangle		6.0 mA	11.0 mA	Vs = 3.8-30 VOLTS \triangle
OUTPUT VOLTAGE (OPERATED) \triangle		0.25 V	0.4 V	SINKING 20 mA MAX
OUTPUT LEAKAGE CURRENT (RELEASED) \triangle			10 μ A	LEAKAGE INTO SWITCH OUTPUT
OUTPUT SWITCHING TIME				1600 Ω , 20pF LOAD
RISE TIME \triangle		0.2 μ SEC	1.5 μ SEC	10% TO 90%
FALL TIME \triangle		0.1 μ SEC	1.5 μ SEC	90% TO 10%

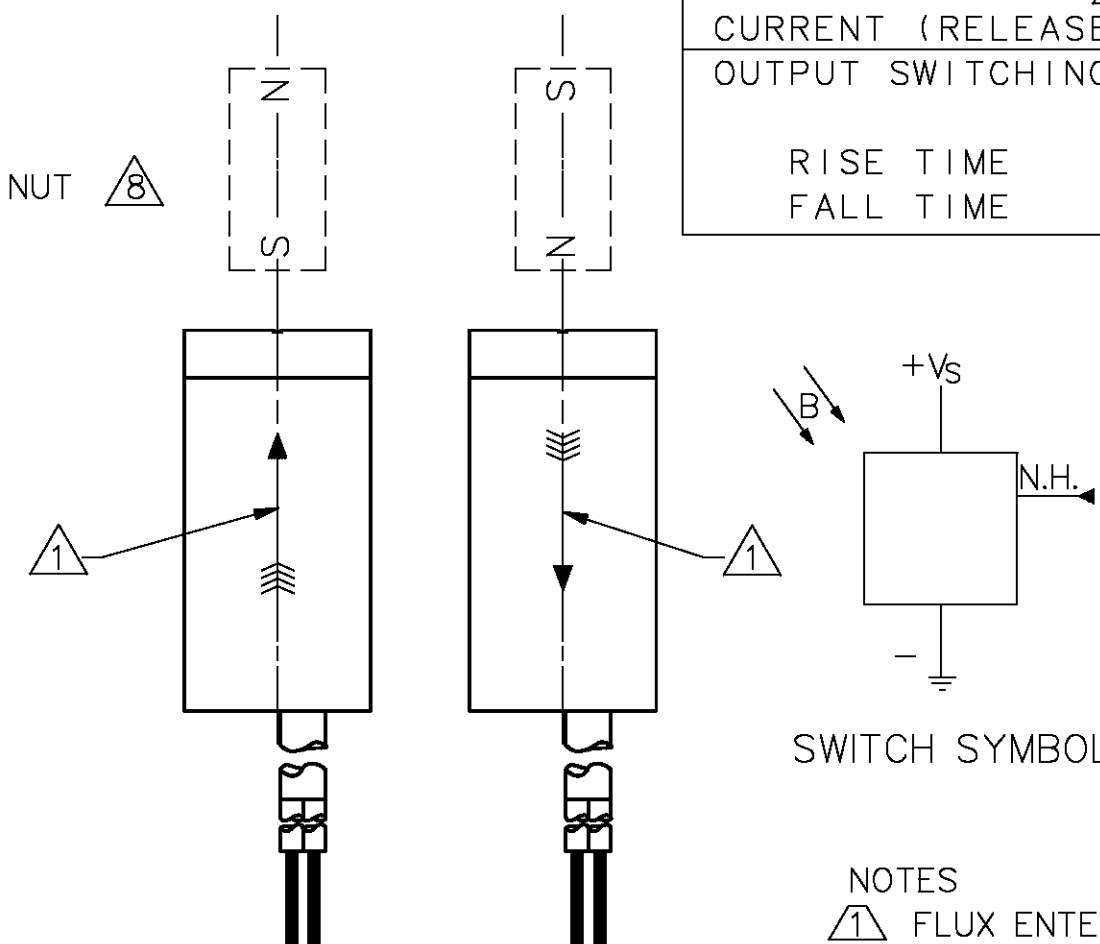
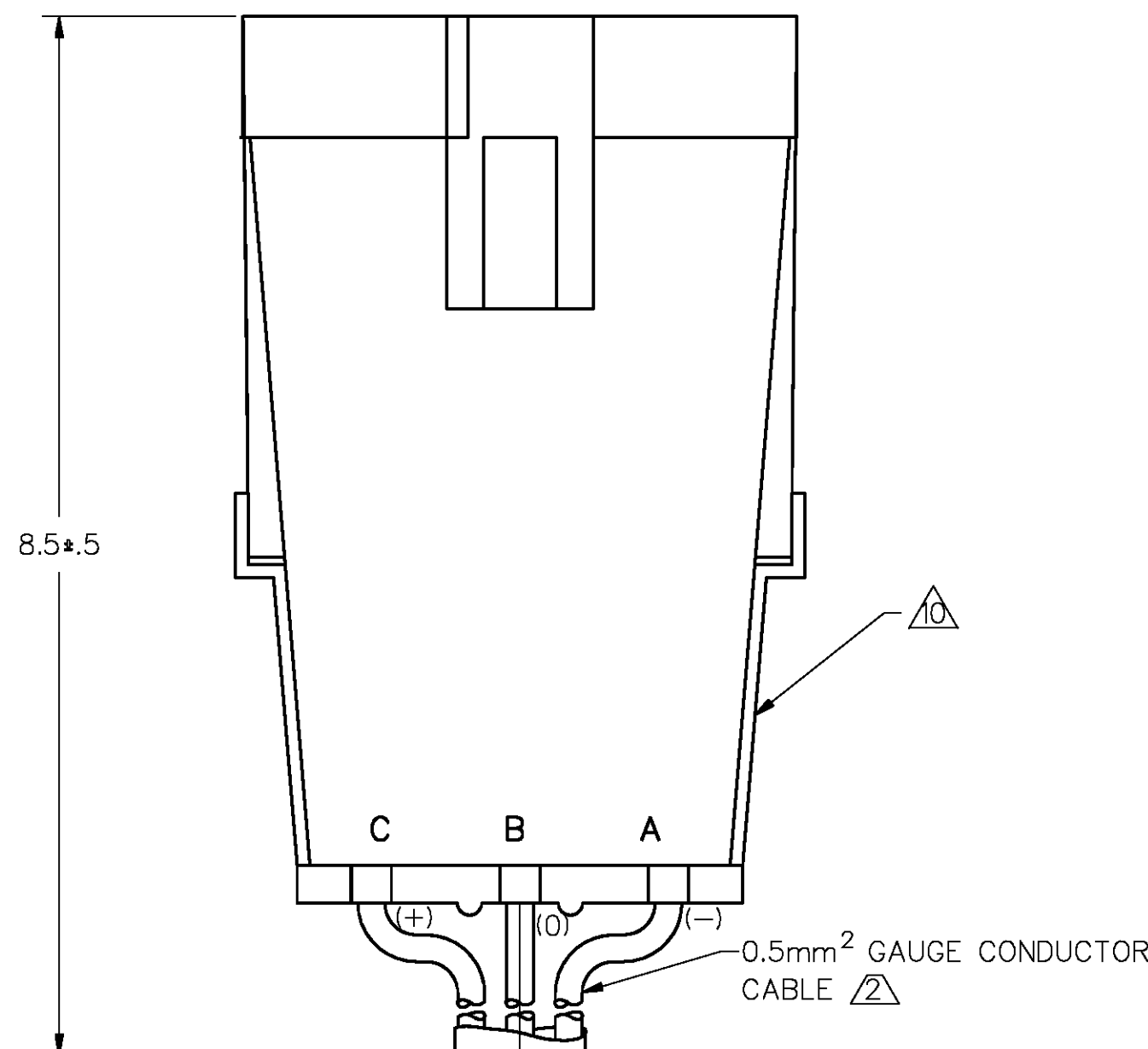


FIG. 2 OPERATE

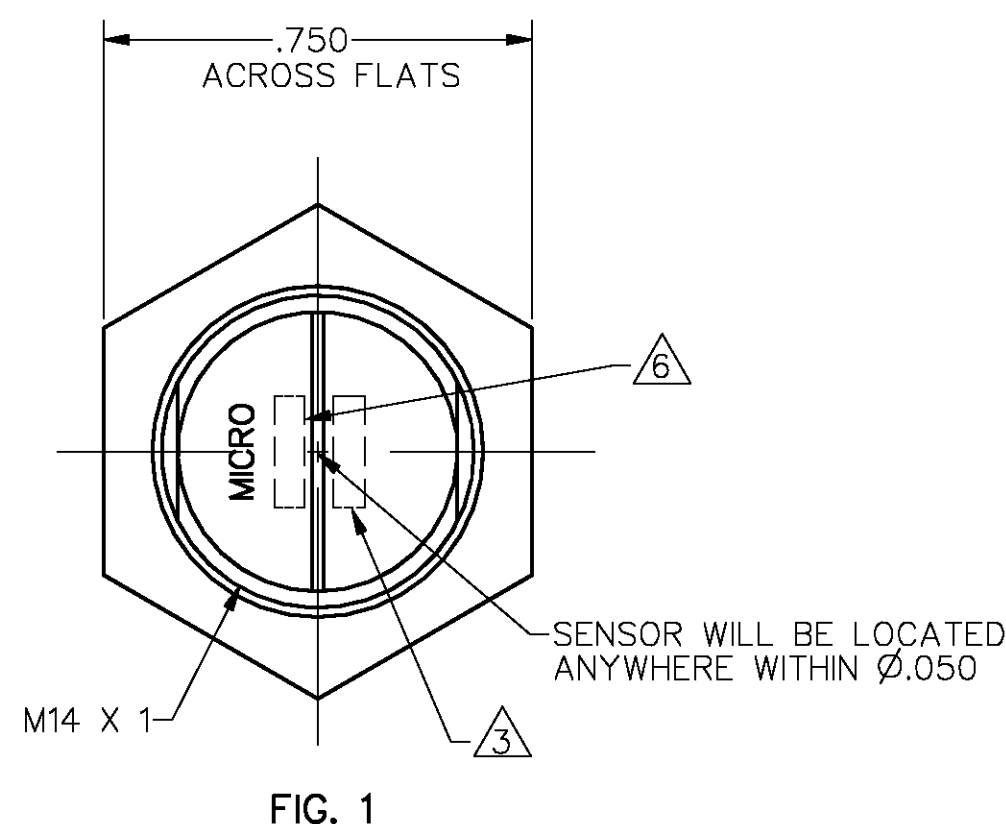


FIG. 1

NOTES

- \triangle FLUX ENTERING THE SOUTH POLE OR THE NORTH POLE OF THE MAGNET WILL OPERATE THE SENSOR WHEN MAGNET IS POSITIONED AS SHOWN IN FIGURE 2. THIS ASSUMES THE CONVENTION THAT THE DIRECTION OF THE EXTERNAL FLUX OF A MAGNET IS FROM THE NORTH TO THE SOUTH POLE OF THE MAGNET
- \triangle 0.5mm² GAUGE PVC INSULATED CONDUCTORS WITH MOLDED PVC JACKET
- \triangle DATE CODE LOCATED IN THIS AREA
- \triangle SUPPLY CURRENT RATINGS MEASURED AT TEMPERATURES INDICATED "TYP" 24°C ± 2°C. "MAX" -40°C/85°C
- \triangle AT SUPPLY VOLTAGE OF 3.8 TO 30 VOLTS AND TEMPERATURE RANGE OF -40 TO 85°C
- \triangle CATALOG LISTING LOCATED IN THIS AREA
- \triangle Vs IS THE UNREGULATED SUPPLY VOLTAGE
- \triangle TORQUE ON PLASTIC NUTS MUST NOT EXCEED 12 INCH POUNDS
- 9 - THE MAGNETIC CHARACTERISTICS OF THE SWITCH MAY BE AFFECTED BY STRAY MAGNETIC FIELDS
- \triangle PACKARD ELECTRIC WEATHER PACK CONNECTOR INCLUDING CONNECTOR HOUSING NO. 12010791

THIS DRAWING COVERS A PROPRIETARY ITEM AND IS THE PROPERTY OF MICRO SWITCH, A DIVISION OF HONEYWELL. THIS DRAWING IS NOT TO BE COPIED OR USED WITHOUT THE APPROVAL OF MICRO SWITCH.

MICRO SWITCH a Honeywell Division	MAGNETICALLY OPERATED CYLINDRICAL MAGNETO RESISTIVE SWITCH	CATALOG LISTING SR4P2-C7
FED. MFG. CODE 91929		

THIRD ANGLE PROJECTION		
SCALE	3 : 1	
DO NOT SCALE PRINT		
UNLESS OTHERWISE SPECIFIED TOLERANCES ARE		
ONE PLACE	(.0)	±.030
TWO PLACES	(.00)	±.015
THREE PLACES	(.000)	±.005
ANGLES		±
WEIGHT		

DRAWING NUMBER SR4P2-C7
 PAGE 1 OF 1
 ISSUE 2
 REVISIONS
 A CO94330 TSM 30 MAR 99
 FORMTEK DRAWN
 P.P.F. 16 DEC 98 CHECK J.A.F. 16 DEC 98 CHECK

MASTER REDUCED
ANSI Y14.5M-1982 APPLIES