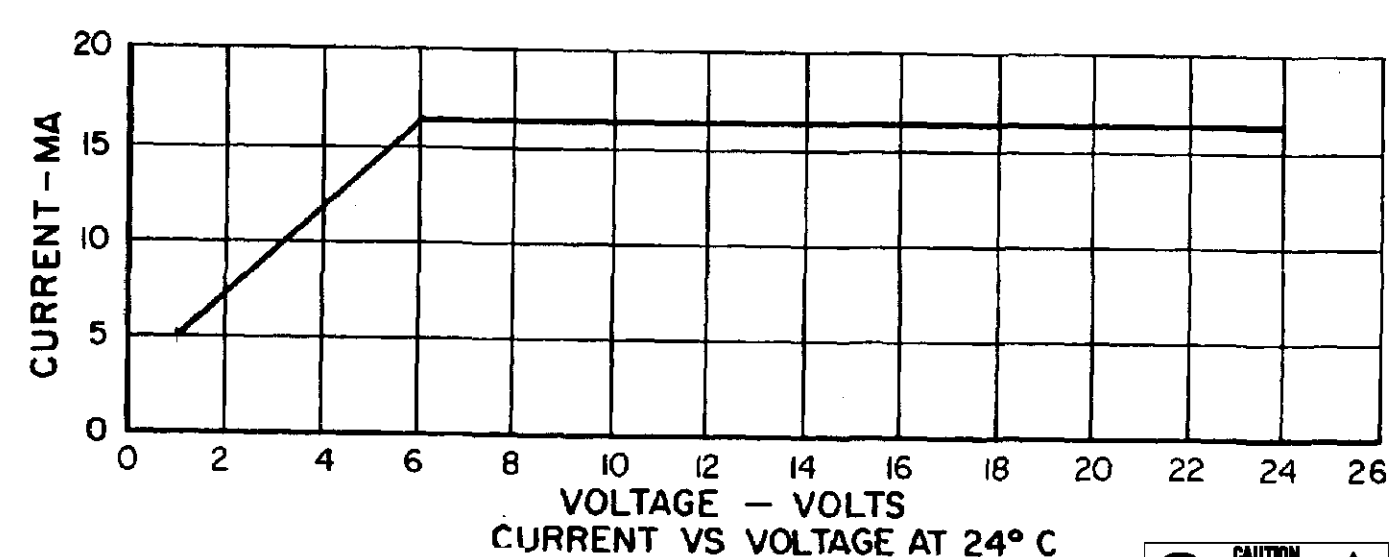
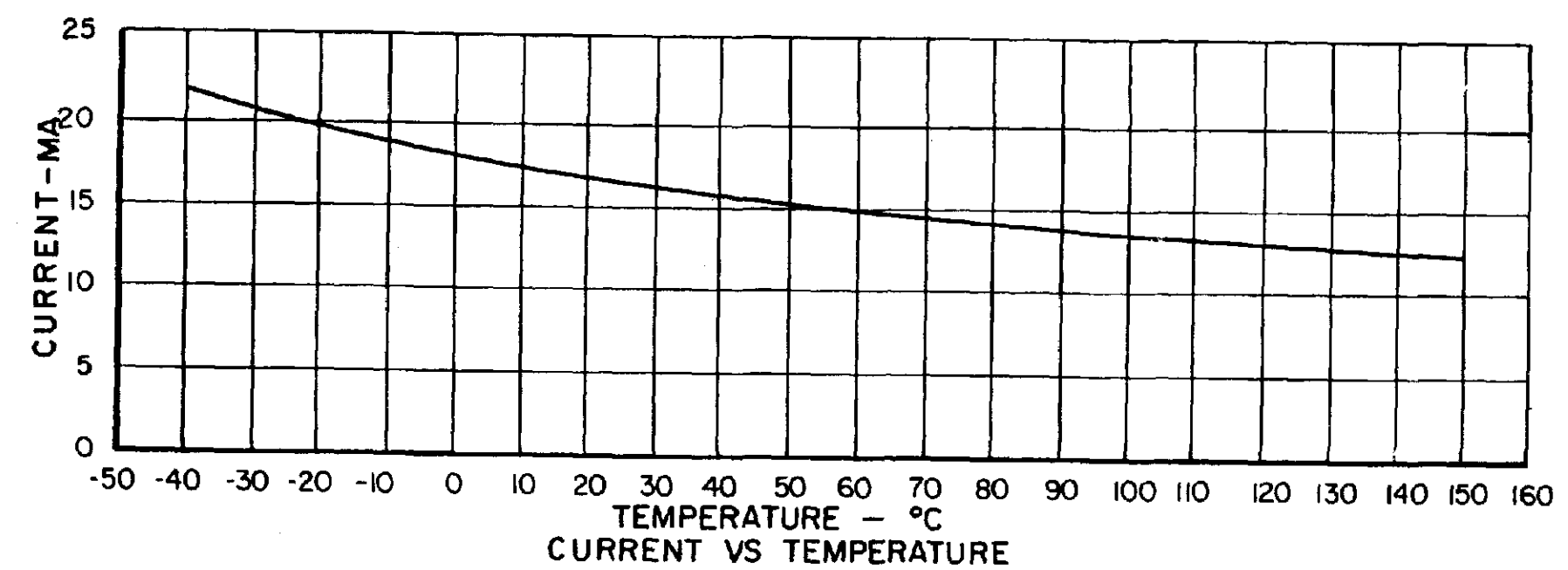


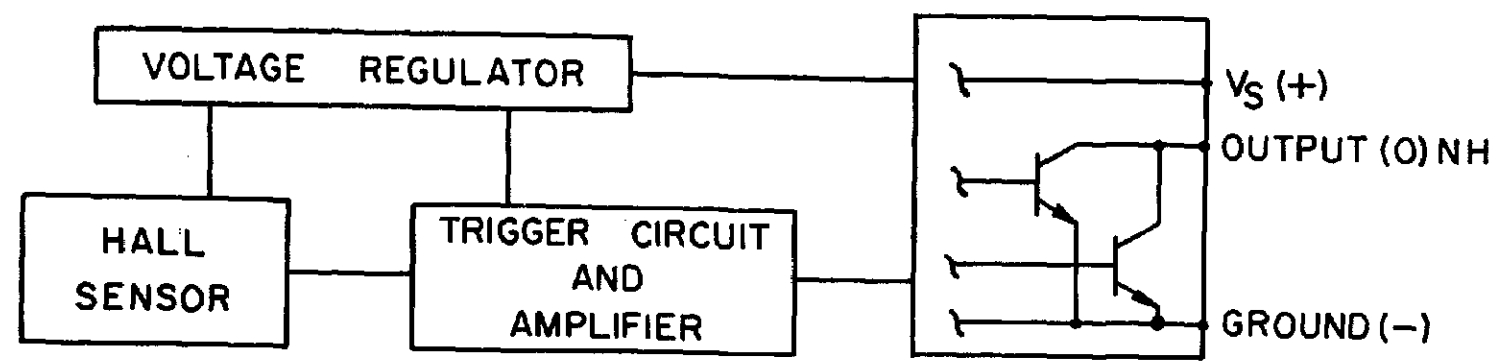
MAGNETIC CHARACTERISTICS						
	-40°C OPERATE	25°C OPERATE	125°C OPERATE	-40°C RELEASE	25°C RELEASE	125°C RELEASE
MAXIMUM	410	380	380	360	320	320
NOMINAL	380	350	300	305	280	240
MINIMUM	330	320	250	250	230	170

ELECTRICAL CHARACTERISTICS				
	MIN	TYP	MAX	REMARKS
SUPPLY CURRENT		16 mA	22 mA	"OFF" CONDITION V _S = 4.5V - 24V
OUTPUT VOLTAGE (OPERATED)		.25V	0.4V	SINKING 40 mA MAX
OUTPUT LEAKAGE CURRENT (RELEASED)			10 μA	LEAKAGE INTO SWITCH OUTPUT
OUTPUT SWITCHING TIME (SINKING)				
RISE TIME		0.2 μS	1.5 μS	10% TO 90%
FALL TIME		0.5 μS	1.0 μS	90% TO 10%

ABSOLUTE MAXIMUM RATING	
SUPPLY VOLTAGE (V _S)	-24.0 TO +28 VOLTS
VOLTAGE EXTERNALLY APPLIED TO OUTPUT	+28.0 VDC MAX WITH SWITCH IN "OFF" CONDITION ONLY -0.5 VOLTS MIN WITH SWITCH IN "OFF" OR "ON" CONDITION
OUTPUT CURRENT	50 mA
TEMPERATURE	-40°C TO 150°C
MAGNETIC FLUX	NO LIMIT, THE CIRCUIT CANNOT BE DAMAGED BY MAGNETIC OVERDRIVE
TRANSIENT SUPPLY/V	-40 TO +80V 250 MS DURATION
TRANSIENT SUPPLY/I	±5A, 1.5 μ SEC DURATION



BLOCK DIAGRAM CURRENT SINKING OUTPUT



- NOTES
- ⚠ TO TEST THE SWITCH AGAINST THE SPECIFIED OPERATING CHARACTERISTICS THE SWITCH MUST BE PLACED IN A UNIFORM MAGNETIC FIELD
 - ⚠ HALL ELEMENT LOCATION WITH INTEGRATED CIRCUIT PLACEMENT TOLERANCE (IC) ONLY. THE LOCATION OF THE CERAMIC COVER IS NOT SPECIFIED
 - ⚠ PROTECTIVE CAP PLACEMENT TOLERANCE
 - ⚠ SOLDER TERMINALS USING 60/40 ROSIN CORE SOLDER EMPLOYING A 750°F CONTROLLED TEMPERATURE 1/8" CHISEL TIP SOLDERING IRON. CAUTION: THE SOLDER TIP SHOULD NEVER BE HELD ON THE TERMINAL FOR OVER 4 SECONDS IN ORDER TO AVOID DELAMINATION OF THE TERMINALS FROM THE CERAMIC
 - ⚠ ABSOLUTE MAXIMUM RATINGS ARE THE EXTREME LIMITS THAT THE DEVICE WILL WITHSTAND WITHOUT DAMAGE TO THE DEVICE. HOWEVER, THE ELECTRICAL AND MAGNETIC CHARACTERISTICS ARE NOT GUARANTEED AS THE MAXIMUM LIMITS (ABOVE RECOMMENDED OPERATING CONDITIONS) ARE APPROACHED NOR WILL THE DEVICE NECESSARILY OPERATE AT ABSOLUTE MAXIMUM RATING

THIS DRAWING COVERS A PROPRIETARY ITEM AND IS THE PROPERTY OF MICRO SWITCH, A DIVISION OF HONEYWELL. THIS DRAWING IS NOT TO BE COPIED OR USED WITHOUT THE APPROVAL OF MICRO SWITCH.

MICRO SWITCH
a Honeywell Division

SOLID STATE SWITCH

CATALOG LISTING
SS85CA

ESD SENSITIVITY: CLASS 3

THIRD ANGLE PROJECTION

SCALE 5 : 1

DO NOT SCALE PRINT

UNLESS OTHERWISE SPECIFIED TOLERANCES ARE

ONE PLACE	(.0)	±.030
TWO PLACES	(.00)	±.015
THREE PLACES	(.000)	±.005
ANGLES		±

WEIGHT

DRAWING NUMBER: SS85CA
 PAGE 1 OF 1
 ISSUE: 10
 REVISIONS:
 A 10-19-70
 B 22 MAR 00
 C 0039911
 SS 21MAY08
 CHECK: BLR 21MAY08
 CHECK: SAV 22 MAR 00
 CHECK: BLR 21MAY08
 DRAWN: DLM 22 MAR 00
 RASTER