



**Outshines the competition**

# Honeywell Halogen Lamps

Honeywell offers a full line of heavy-duty halogen off-highway vehicular lamps to keep equipment moving long after the sun has set. Because they are designed for use with agricultural, industrial and construction equipment, they can withstand shock, vibration and other extreme service conditions. Our time-proven halogen sealed beam lamps have earned the reputation as one of the most reliable, heavy duty lighting products made.



## Rectangular Halogen Lamp

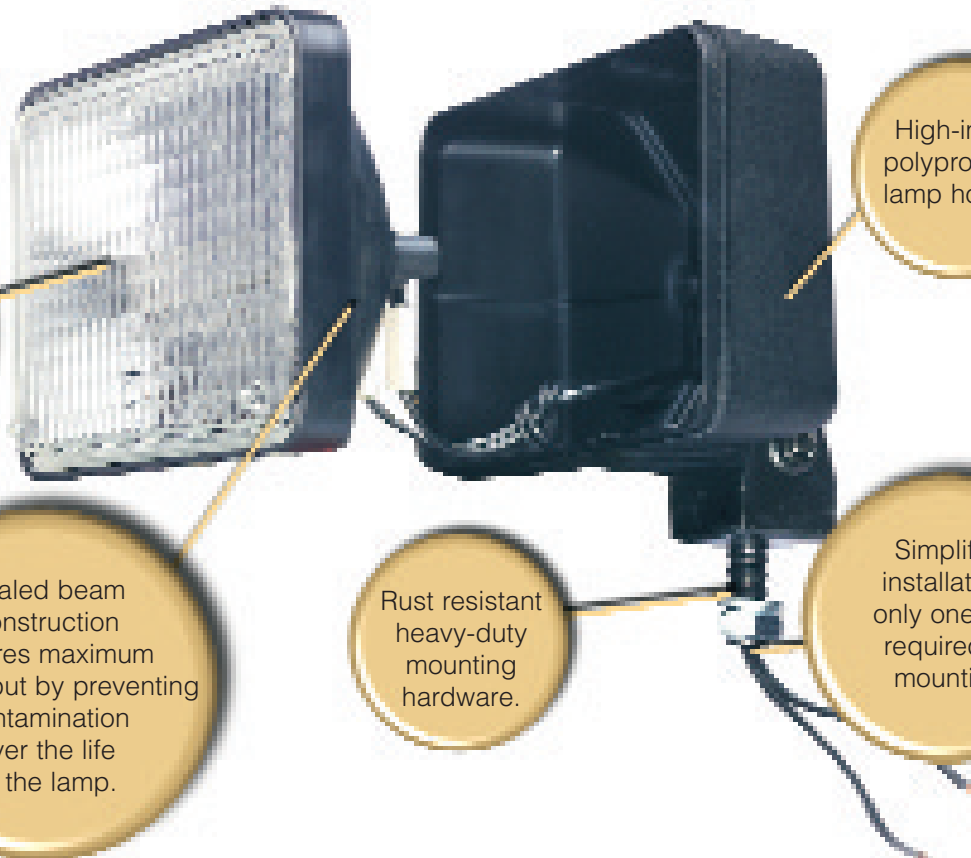
Borosilicate glass lens resists cracking and warpage, and prevents distortion and lens discoloration.

Sealed beam construction assures maximum light output by preventing contamination over the life of the lamp.

Rust resistant heavy-duty mounting hardware.

High-impact polypropylene lamp housing.

Simplified installation - only one hole required for mounting.



#### 4 X 6 RECTANGULAR LAMP

Part #	Beam Pattern	Voltage/Wattage	Current	Replacement Beam Part #
71898-50	Wide Flood	12 Vdc, 50 Watts	4 Amp	71017-50
74001-50	Narrow Flood	12 Vdc, 50 Watts	4 Amp	71791-50
71915-50	Trap	12 Vdc, 50 Watts	4 Amp	71792-50
71902-50	Spot	12 Vdc, 50 Watts	4 Amp	71794-50
75237-50	HI-LO Driving	12 Vdc, 35/60 Watts	3/5 Amp	75251-50
72540-50	Wide Flood	24 Vdc, 60 Watts	2.5 Amp	72541-50
75109-50	Narrow Flood	24 Vdc, 60 Watts	2.5 Amp	78856-50
72542-50	Trap	24 Vdc, 60 Watts	2.5 Amp	72543-50
72544-50	Spot	24 Vdc, 60 Watts	2.5 Amp	72545-50

#### 4 X 6 BLUEBRIGHT LAMP

Part #	Beam Pattern	Voltage/Wattage	Current	Replacement Beam Part #
87022-22	Flood	12 Vdc, 65 Watts	5.4 Amp	87029-52
87024-22	Trap	12 Vdc, 65 Watts	5.4 Amp	87030-52
87023-22	Spot	12 Vdc, 65 Watts	5.4 Amp	87031-52

#### 3 X 5 RECTANGULAR LAMP

Part #	Beam Pattern	Voltage/Wattage	Current	Replacement Beam Part #
73761-50	Wide Flood	12 Vdc, 50 Watts	4 Amp	72408-50
77861-49	Wide Flood w/switch	12 Vdc, 50 Watts	4 Amp	72408-50
73762-50	Narrow Flood	12 Vdc, 50 Watts	4 Amp	72573-50
73763-50	Trap	12 Vdc, 50 Watts	4 Amp	72801-50
73764-50	Spot	12 Vdc, 50 Watts	4 Amp	73804-50

#### PAR 36 ROUND LAMP

Part #	Beam Pattern	Voltage/Wattage	Current	Replacement Beam Part #
73468-50	Wide Flood	12 Vdc, 50 Watts	4 Amp	70510-50*
73469-50	Trap	12 Vdc, 50 Watts	4 Amp	70729-50*

\*Honeywell PAR 36 Round Halogen Sealed Beam will replace any 4.5" incandescent or halogen sealed beam

#### HIGH INTENSITY DISCHARGE

Nominal Voltage	12 Vdc	24 Vdc
Operating Voltage	9-16 Vdc	10-32 Vdc
Startup Amperage	15 Amps @ 9 Vdc	8 Amps @ 14 Vdc
	9 Amps @ 16 Vdc	5 Amps @ 32 Vdc
Stabilized Amperage	5 Amps @ 9 Vdc	3.3 Amps @ 14 Vdc
	2.7 Amps @ 16 Vdc	1.4 Amps @ 32 Vdc
Startup Time	0.1 to 5 seconds	0.1 to 5 seconds

Part #	Beam Pattern	Voltage
84760-50	Flood	12 Vdc
88216-50	Trap	12 Vdc
88217-50	Spot	12 Vdc
88735-50	Flood	24 Vdc
88913-50	Trap	24 Vdc

#### PORTABLE WORK LAMP

Part #	Product	Beam Pattern	Voltage	Current	Replacement Beam Part #
80508-05	3x5 lamp w/ handle	Flood	12 Vdc	4 Amp	72408-50
80509-05	3x5 lamp w/ handle	Spot	12 Vdc	4 Amp	73804-50
80413-10	3x5 lamp w/ handle & switch	Flood	12 Vdc	4 Amp	72408-50
80510-10	3x5 lamp w/ handle & switch	Spot	12 Vdc	4 Amp	73804-50

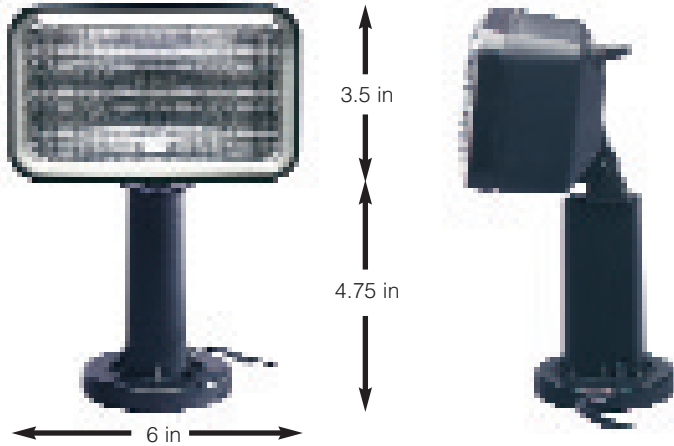
#### FLEXBASE WARNING LAMP

Part #	Voltage	Current	Replacement Bulb Part #
85591-50	12 Vdc	2 Amps	1156 (obtain locally)



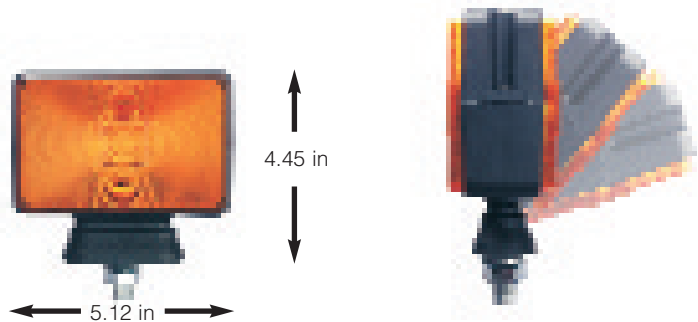
### Portable Work Lamp

Need temporary lighting? The Honeywell Portable Work Lamp is the answer. This heavy-duty work lamp provides light for any situation. Use it for work, to replace failed equipment lighting, light dark work areas, or service equipment. Use it for recreation—take it hunting, fishing or camping. Whatever the application, the Honeywell Portable Work Lamp will provide years of reliable service. Simply plug the 15-foot cord into a 12 Vdc cigarette lighter receptacle, place the base with built-in 80 lb. magnet on a suitable metal surface, and get to work.



### Flexbase Warning Lamp

Here's the answer to those pesky tree branches or corn stalks. The Honeywell FlexBase Warning Lamp will bend a full 90° when struck. This flex action deflects the impact, providing optimum protection to the lamp and the surface it's mounted on. The Honeywell FlexBase Warning Lamp meets SAE J974 requirements for light output, and features high-impact polycarbonate lenses, aircraft-quality springs and cables, and an easily replaceable bulb. This lamp is made to replace fixed lamps on agricultural, industrial, and construction equipment.



### Honeywell Hour Meters

Do you need to keep track of maintenance hours on your equipment? Honeywell has the solution, a new line of economy meters. Contact Honeywell at 217-753-7798 for dealers in your area.



Hour Meter Part No. 82450



Hour Meter Part No. 82451



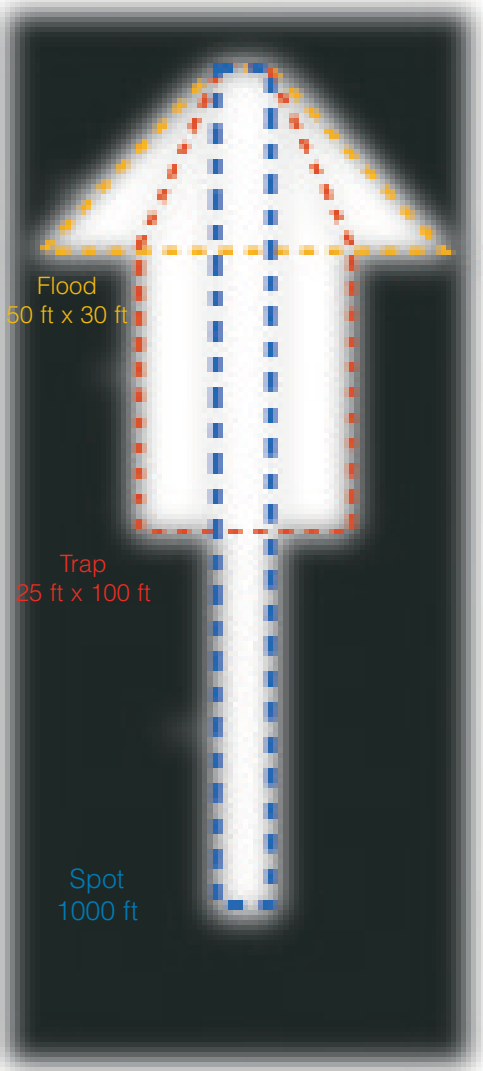
Hour Meter Part No. 82452



Hour Meter Part No. 82453

# Beam Patterns, Tests & Applications

## Standard Beam Patterns

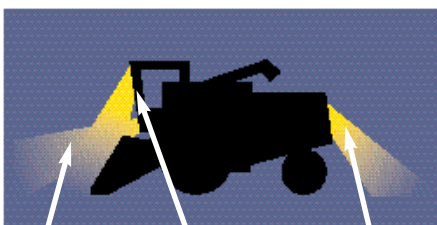


## Outshines the Competition in Six Standard Tests

Test	Typical Imported Will-fit Competitor	Honeywell (Made In the USA)
96 hour salt spray per astm b117-73	Bracket and bolt rusted. Inside of lamp fogged	UNAFFECTED!
Water immersion (5 minute soak in each of two axes)	Within one minute filled with water, rusted and corroded	UNAFFECTED!
High pressure spray (1200 psi for one minute, 45° above and below horizontal axis)	Inside of lamp filled with cleaner	UNAFFECTED!
Dust chamber (24 hours of Arizona coarse dust)	Dust inside of lamp	UNAFFECTED!
450 hour vibration (5 g's peak)	Bracket replaced twice due to breakage. Failures also include burnout at ≤300 hours	UNAFFECTED!
14 Vdc steady burn, average life of 6 test samples	360 average hours	940 average hours

## Types of Applications

### Combine



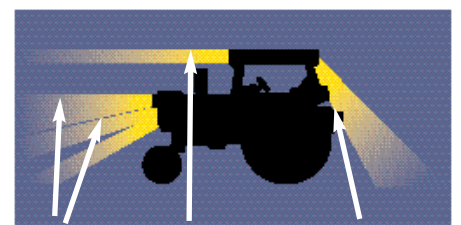
Trap driving or implement lamp  
Flood illuminate combine head  
Flood general illumination

### Backhoe



Trap driving lamp  
Flood illuminate loader bucket  
Flood illuminate backhoe bucket

### Tractor

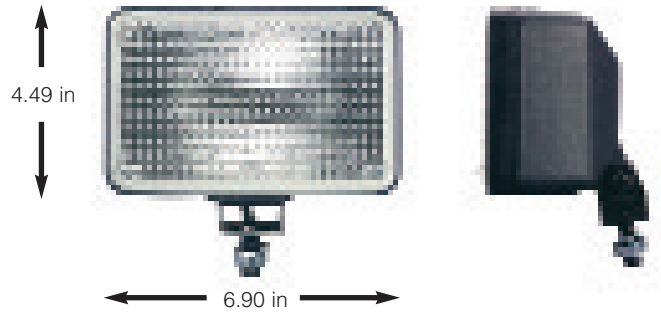


Trap or Hi-Lo driving lamp  
Spot row marker  
Flood work or implement lamp



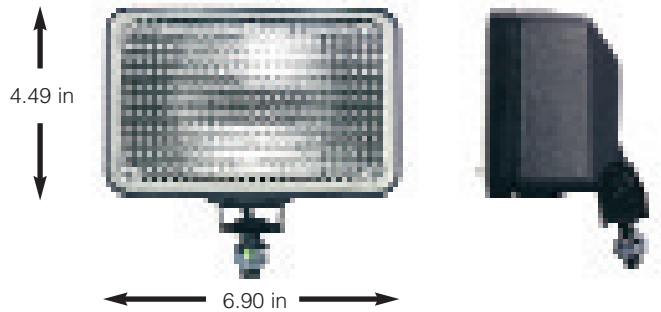
### 4X6 Rectangular Lamp

The Honeywell 4 x 6 Rectangular Lamp can be added to any heavy-duty equipment to assist in lighting problem areas. The lamp is available in 12 Vdc or 24 Vdc with several different beam patterns.



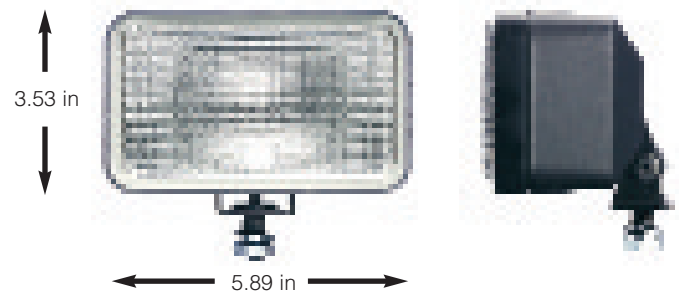
### 4X6 BlueBright

The BlueBright from Honeywell offers the new, blue-coating technology which improves visibility in low light conditions. It produces over 15% more light output as compared to a conventional halogen. The BlueBright can be used in any application where the 4 x 6 Halogen would be used.



### 3X5 Rectangular Lamp

The Honeywell 3 x 5 Rectangular Lamp is a smaller version of the 4 x 6 lamp but still offers the same features. For practical use on smaller construction or farm equipment.

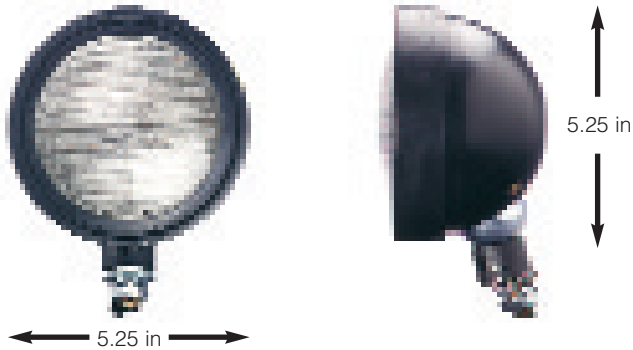


Also available  
with on/off switch



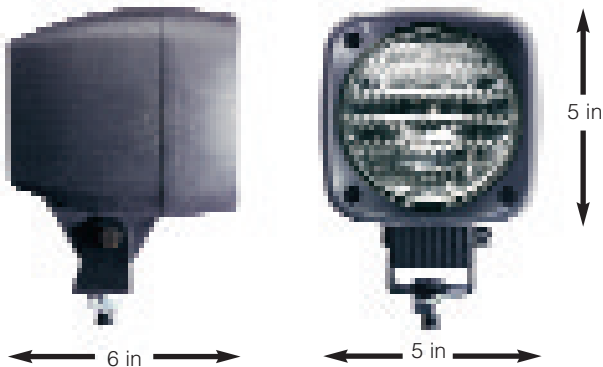
### PAR 36 Round Lamp

Honeywell PAR 36 Halogen Work Lamps are well suited for more traditional agricultural equipment applications. They are virtually the same 4.5 inch diameter lamps that have been factory-installed on popular makes of combines and tractors over the years. In fact, Honeywell PAR 36 Replacement Sealed Beams are the perfect choice as heavy-duty replacements for cab and fender mounted lamps used in that equipment.



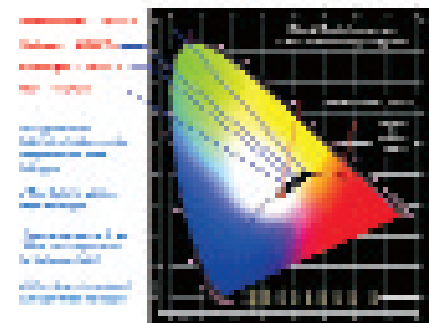
### High Intensity Discharge Lamps

Honeywells' High Intensity Discharge Lamps (Xenon) are designed to hold up to the extreme demands of off-highway construction and agricultural equipment. HID is significantly more efficient than halogen and produces more light with less amperage draw. Compared to the average halogen lamp, Honeywells' HID lamps provide four times the light output. The technology allows equipment to operate safer with less load on the electrical system resulting in optimum alternator and battery life.



Honeywell HID features an internal electronic bulb/igniter/ballast system for maximum component protection and simplified installation. Simply bolt on, connect wires, and go.

- **Compact Size: 5 in x 5 in x 6 in**
- **5000 hour life, up to 6 times greater life expectancy than a comparable halogen**
- **Completely sealed from moisture and dirt**
- **Direct replacement for most add-on incandescent and halogen lamps**
- **Isolation mounted to withstand vibration**



**HID Operating Principal**  
No Filament

Electrical Discharge (Plasma) Between Electrodes Creates Light

Micro-Environment of Xenon Gas, Mercury, & Metal Halide Salts



## Warranty/Remedy

Honeywell warrants goods of its manufacture as being free of defective materials and faulty workmanship. Honeywell's standard product warranty applies unless agreed to otherwise by Honeywell in writing; please refer to your order acknowledgement or consult your local sales office for specific warranty details. If warranted goods are returned to Honeywell during the period of coverage, Honeywell will repair or replace, at its option, without charge those items it finds defective. **The foregoing is buyer's sole remedy and is in lieu of all warranties, expressed or implied, including those of merchantability and fitness for a particular purpose. In no event shall Honeywell be liable for consequential, special, or indirect damages.**

While we provide application assistance personally, through our literature and the Honeywell web site, it is up to the customer to determine the suitability of the product in the application.

Specifications may change without notice. The information we supply is believed to be accurate and reliable as of this printing. However, we assume no responsibility for its use.

## Sales and Service

Honeywell serves its customers through a worldwide network of sales offices and distributors. For application assistance, current specifications, pricing or name of the nearest Authorized Distributor, contact your local sales office or: INTERNET:  
[www.honeywell.com/sensing](http://www.honeywell.com/sensing)  
E-mail: [info.sc@honeywell.com](mailto:info.sc@honeywell.com)

## **For Hobbs Aftermarket Lighting products contact us at**

**Tel:** (217) 753-7798

**Internet:** [www.honeywell.com/hobbs](http://www.honeywell.com/hobbs)

## **Sensing and Control**

Honeywell  
P.O. Box 19424  
Springfield, IL 62794-9424  
USA  
[www.honeywell.com](http://www.honeywell.com)

The Honeywell logo is displayed in a bold, red, sans-serif font.