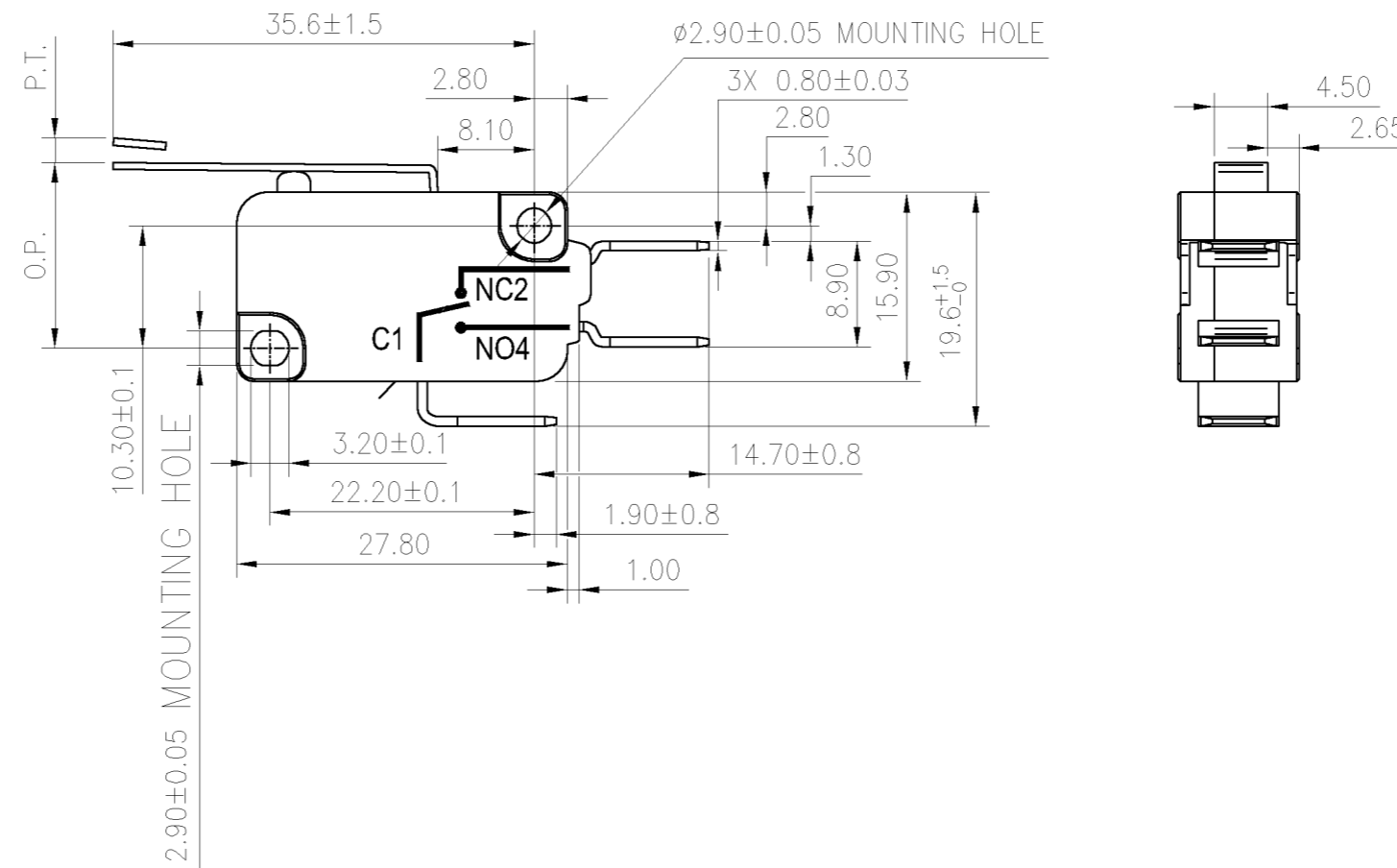
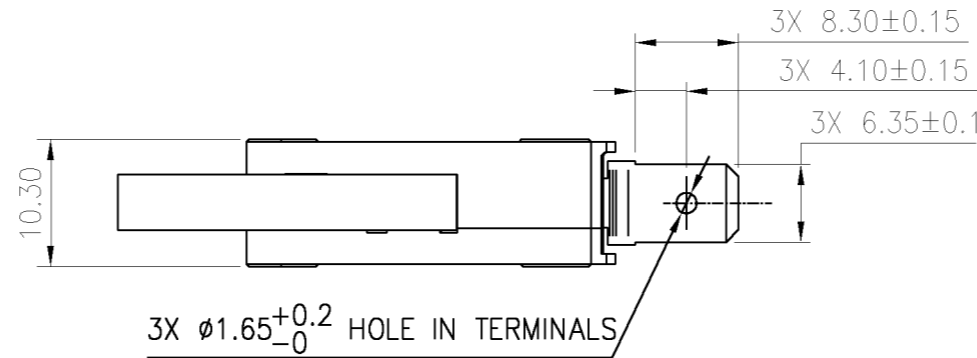


HONEYWELL PART NUMBER
V15H16-CZ100A02-K
PRODUCT CODE
CFW2047

REV	DOCUMENT	CHANGED BY	CHECK
A	0038670	VS 10APR08	BLR



NOTES:

- TERMINALS WILL ACCEPT 6.35mm WIDE QUICK CONNECT RECEPTACLES AND COMPLY WITH EN61058-1 REQUIREMENTS.

CHARACTERISTICS	
OPERATING FORCE:	60gf MAX.
DIFFERENTIAL FORCE:	
RELEASE FORCE:	10gf MIN.
FREE POSITION:	
OPERATING POSITION:	15.3±1.5MM.
PRE-TRAVEL:	3.2MM MAX.
DIFFERENTIAL TRAVEL:	1.2MM MAX.
OVER-TRAVEL:	1.3MM MIN.
FULL OVERTRAVEL FORCE:	

ELECTRICAL DATA	
CONTACT ARRANGEMENT S.P.D.T	
	16(4)A 250V~ 25T150 μ 5E4
	16A 1/2HP 125/250VAC

DESIGN UNITS: MM				
TOLERANCES UNLESS NOTED:				
NO PLACE	X	±	±	
ONE PLACE	.X	±	±	
TWO PLACE	.XX	±	± 0.40	
THREE PLACE	.XXX	±	±	
ANGLES	X	±	± 2°	
THIRD ANGLE PROJECTION				

DRAWN	KSR	01APR08
CHECK	RJ	01APR08
THIS DRAWING COVERS A PROPRIETARY ITEM AND IS THE PROPERTY OF HONEYWELL. THIS DRAWING IS NOT TO BE COPIED OR USED WITHOUT THE PERMISSION OF HONEYWELL.		
INTERPRET PER ASME Y14.5M-1994 OTHER HONEYWELL ENGINEERING STANDARDS MAY APPLY		
AutoCAD		

Honeywell				
TITLE SWITCH - BASIC				
SIZE	TYPE	CAGE CODE	DRAWING NAME	REV
B	I		V15H16-CZ100A02-K	A
SCALE	NTS	SHEET		1 OF 1