

RG 160-28/14 NTD

DC centrifugal compact fan

single-intake



ebm-papst St. Georgen GmbH & Co. KG

Hermann-Papst-Str. 1
D-78112 St. Georgen
Phone +49 (0) 7724 81-0
Fax +49 (0) 7724 81-1309
info2@de.ebmpapst.com
www.ebmpapst.com

Nominal data

Type	RG 160-28/14 NTD	
Nominal voltage	VDC	24
Nominal voltage range	VDC	16 .. 28
Speed (rpm)	min ⁻¹	4200
Power consumption	W	64.0
Min. ambient temperature	°C	-20
Max. ambient temperature	°C	60
Air flow	m ³ /h	308
Sound power level	B	7.5

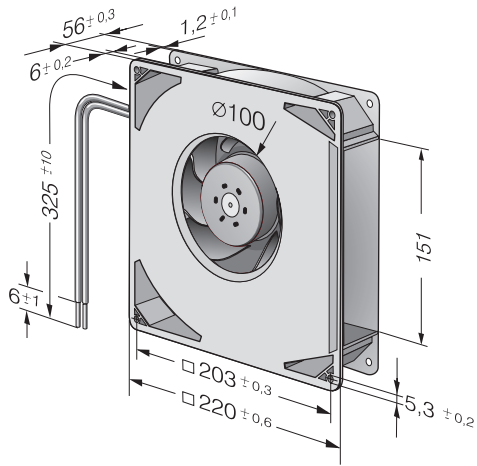
ml = Max. load · me = Max. efficiency · fa = Free air · cs = Customer specification · ce = Customer equipment
Subject to change



Technical description

General description	3-phase fan drive with very smooth operation Backward-curved impeller
Housing material	Scroll housing made of glass-fiber reinforced plastic, housing base made of sheet steel
Weight	1.400 kg
Dimensions	220 x 220 x 56 mm
Impeller material	Glass-fiber reinforced plastic
Airflow direction	Axial intake, radial discharge from outlet.
Storage	Ball bearing
Service life L10 at 40 °C	55000 h
Service life L10 at maximum temperature	35000 h
Cable	With leads AWG 22, TR 64
Approval	VDE, CSA, UL

Product drawing



Curves: Air performance

