

EC axial fans

Series W3G200 Ø 225 x 225 x 80 mm



Highlights:

- Control Input: 0-10 VDC/PWM
- Output: 10 VDC, max 1.1 mA
- Tach Output
- Over-voltage detection
- Over-temperature protected electronics
- Soft start, motor current limit
- Locked rotor protection

Material: Impeller: PP plastic
Housing: Die-cast aluminum

Mounting position: Any

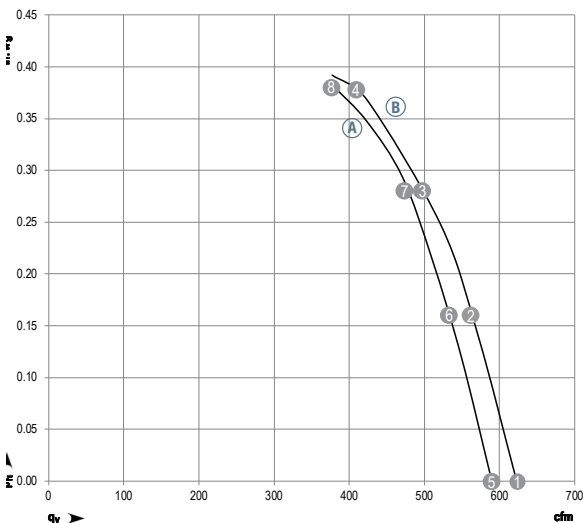
Condensate discharge holes: None, open rotor

Direction of rotation: Counter-clockwise, seen on rotor

Nominal Data		Air flow	Phase	Voltage	Voltage range	Frequency	Power input (1)	Speed (1)	Current draw (1)	Max back pressure	Temperature range (1)	Mass	Bearing	Ingress protection rating	UL	Chart
Type	Motor	cfm	VAC	VDC	Hz	W	rpm	A	in. H ₂ O	°C	lbs					
W3G200-HD01-03	M3G055-BD	590	1~	230V	200...240	50/60	54	2900	0.55	0.38	-25...60	3.74	Ball	IP54*	Yes	(A)
W3G200-HD23-10	M3G055-BD	623	1~	115V	100...130	50/60	65	2900	1.0	0.38	-25...60	3.74	Ball	IP54*	Yes	(B)

(1) Nominal data at maximum load.
*Depending on installation and position.

Curves



Air performance measured as per: ISO 5801, Installation category A, without protection against accidental contact.

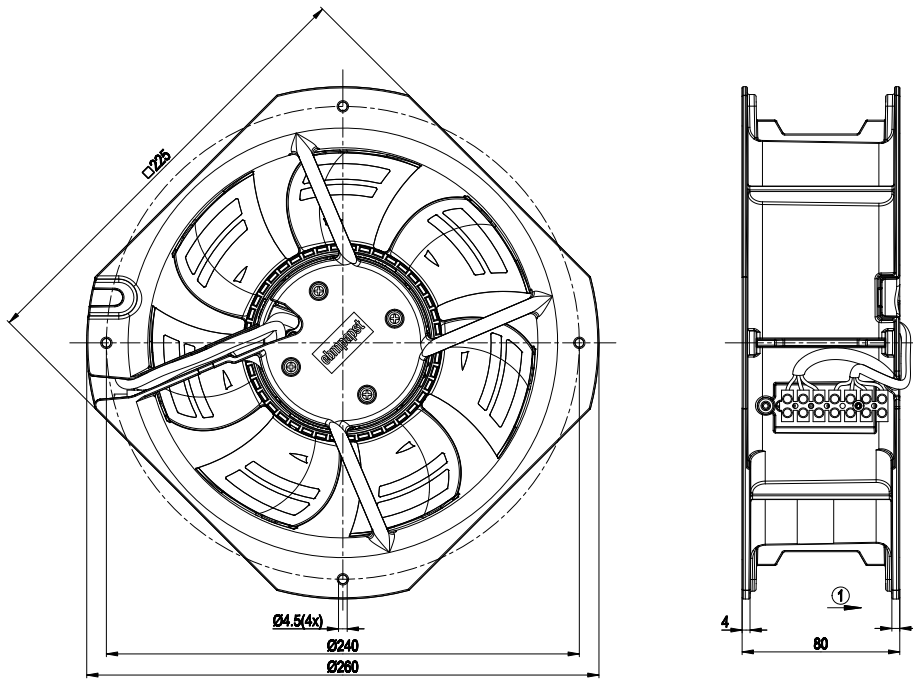
Suction-side noise levels: L_{WA} as per ISO 13347, L_{pA} measured at 1m distance to fan axis.

The values given are valid under the measuring conditions mentioned and may vary according to the actual installation situation.

With any deviation to the standard set-up, the specific values have to be checked and reviewed once installed or fitted.

For detailed information on the measuring set-up, please contact ebm-papst.

	n rpm	Pe W	I A	L _{pA} dB(A)	L _{WA} dB(A)
1	3150	62	1.00	59	66
2	3050	65	1.00	59	66
3	2930	65	1.00	60	68
4	2900	65	1.00	65	73
5	2970	50	0.49	58	65
6	2885	55	0.53	57	64
7	2825	58	0.56	58	65
8	2900	54	0.55	62	71



Connection screen

