

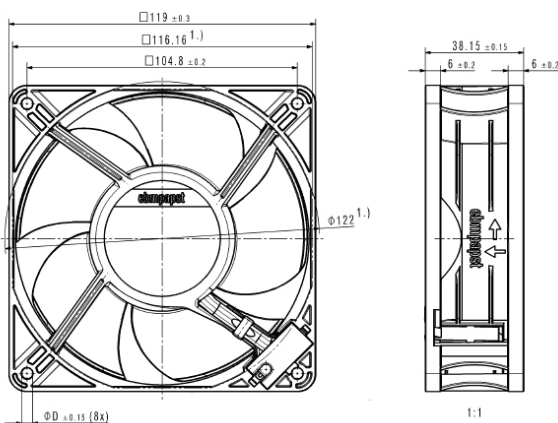
ACi 4420 HHR

Our high efficiency alternative
for 4656Z and 4656N



Highlights:

- Energy efficient **ACimaxx** fan.
- Conversion and drive electronics fully integrated.
- Significant lower power consumption than existing AC fans.
- Comparable noise level even though at higher air performance than AC fans.
- Significant higher service life than existing AC fans.
- Same fixed speed at 50Hz and 60Hz supply frequency.
- Humidity protection.



General characteristics:

- Material: fibreglass reinforced plastic. Impeller PA, housing PBT.
- Electronic locked rotor protection.
- Electrical connection via 2 flat pins 2, 8 x 0, 5 mm, flying lead LZ 126 included.
- Air exhaust over struts, rotational direction CW looking at rotor.
- Mass: 250 g.



The engineer's choice.

ebmpapst

ACi 4420 HHR

Our high efficiency alternative
for 4656Z and 4656N

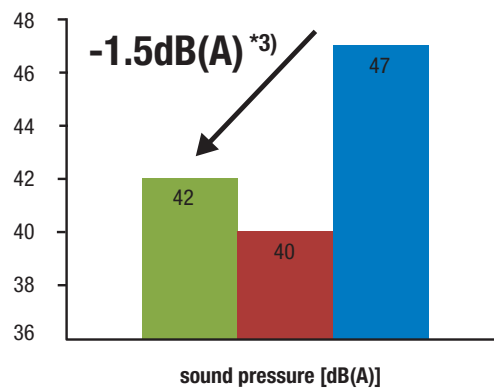
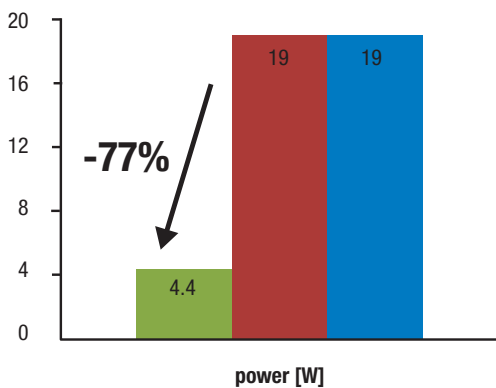
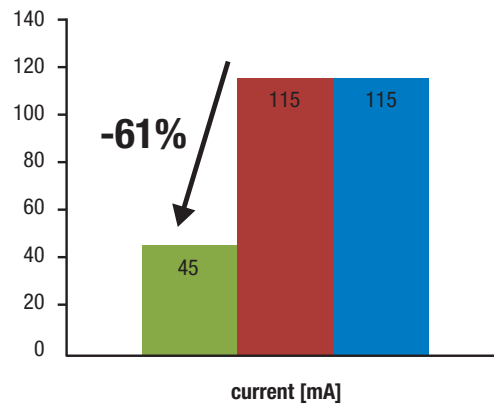
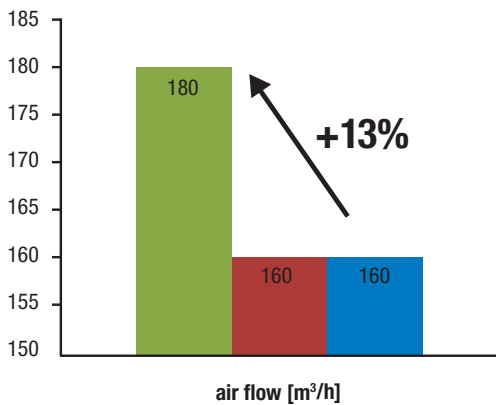
Nominal Data	Air flow		Nominal Voltage	Voltage Range	Noise	Sound Power	Sinter-Sleeve Bearings Ball Bearings	Power Input	Nominal Speed	Temperature Range	Service Life L ₁₀ (40 °C) ebm-papst Standard	Service Life L ₁₀ (T _{max}) ebm-papst Standard	Life expectancy L _{10Δ} (40 °C)
	m ³ /h	CFM											
ACi 4420 HH	180	105,9	230	195...265	42	5,3	■	4,4	3 300	-20...+75	65 000 / 30 000		130 000

How does ACi 4420 HHR compare to 4656Z and 4656N?

	ACi 4420 HHR	4656Z / 4656N
Footprint	119 x 119 x 38 mm	119 x 119 x 38 mm
Max. air volume	180 m ³ /h	160 m ³ /h
Power consumption per year ^{*1)}	38.5 kWh	166.44 kWh
Service Life L ₁₀ at 40°C	65,000 hours	37,500 hours

→ 13% more air and 77% less energy consumption at same footprint → 75% longer service life at 40°C

Performance comparison ^{*2)}:



■ ACi 4420 HHR
■ 4656Z
■ 4656N

*1) at 0Pa, assuming fan runs 24 hours per day

*2) at 0Pa

*3) on average when comparing fan group

ebm-papst A&NZ Pty Ltd
AU Tel: +61 3 9360 6400
NZ Tel: +64 9 837 1884
email: sales@ebmpapst.com.au

www.ebmpapst.com.au
www.ebmpapst.co.nz

ebmpapst