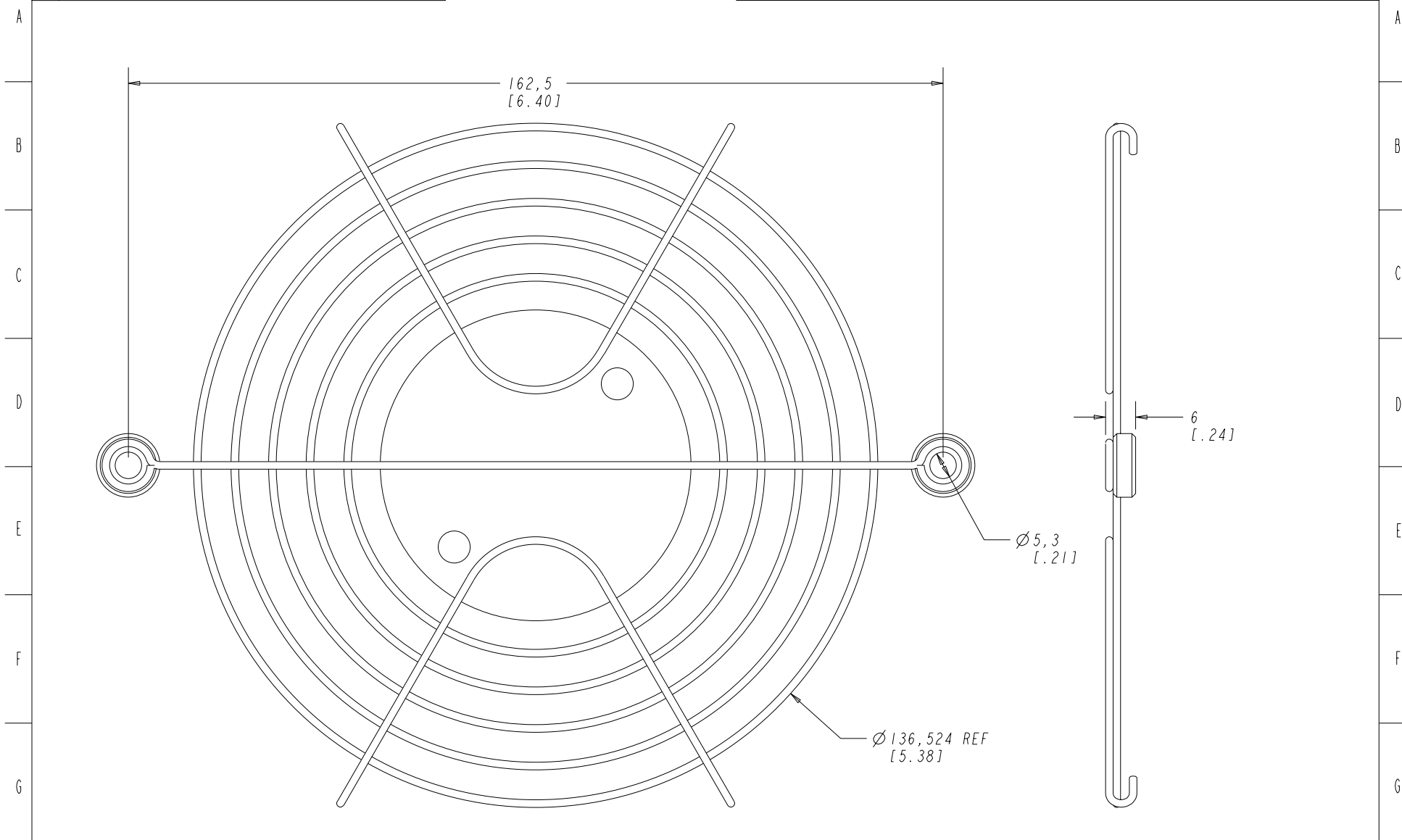


1			2			3			4			5			6			7			8			9			10		
ebm-papst MFG. NOTES						REV.	EC #	REVISION DESCRIPTION						DATE	D.ENG.	CHECKER													
1 N/A						A	N/A	INITIAL PROTOTYPE RELEASE						13-Sep-04	MAS	XXX													



<b>ebm-papst Inc. DISCLOSURE</b> THIS DOCUMENT IS THE PROPERTY OF ebm-papst Inc. ITS USE IS AUTHORIZED BY ebm-papst Inc. ONLY. ALL QUESTIONS MUST BE REFERRED TO ebm-papst Inc. PERSONNEL: DESIGN ENG., MFG.ENG., AND / OR PURCHASING.  <b>CAUTION:</b> ANY PRINTED COPY IS UNCONTROLLED AND TO BE USED FOR REFERENCE ONLY. REFER TO ebm-papst Inc. CAD SYS. FOR VERIFICATION.  Form No. 1073 Rev. H			<b>MATERIAL:</b> .060" WIRE <b>FINISH:</b> PLATED <b>BEND DEDUCTION:</b> - <b>IF APPLICABLE PLACE SECOND FINISH AND DESCRIPTION HERE</b> ALL INNER BEND RADII = 1mm BOTTOM BEND UNLESS OTHERWISE STATED <b>TOLERANCES, UNLESS OTHERWISE STATED:</b> DECIMAL .XXX ± .020 HOLES .XXX ± .003 TOLERANCES FOR CNC FLAT .XXX EXCLUDING HOLE DIA. +/- .010 TOLERANCE .XX ± .030 ANGLES ± 1° REF			<b>BEND DEDUCTION:</b> - <b>COSMETICS PER ebm-papst SPEC-0-1</b> <b>SEE CAD FOR DIMS. NOT SHOWN</b> <b>BREAK ALL SHARP EDGES</b> <b>ALL DIMENSIONS ARE IN INCHES</b>			<b>PART NO.:</b> LZZ4-1 <b>TITLE:</b> LZZ4-1 FINGERGUARD <b>FIRST USED ON:</b> - <b>DESIGN ENG.:</b> MAS <b>ORIG. DATE:</b> 13-Sep-04 <b>E#:</b> - <b>REVISION:</b> - <b>SHEET:</b> 1 of 1					
---	--	--	---	--	--	--	--	--	---	--	--	--	--	--