

S4S250-BA02-01

AC axial fan with guard grille for full nozzle straight blades (A series)



ebm-papst Mulfingen GmbH & Co. KG

Bachmühle 2

74673 Mulfingen

Phone: +49 7938 81-0

Fax: +49 7938 81-110

www.ebmpapst.com

info1@de.ebmpapst.com

Nominal data

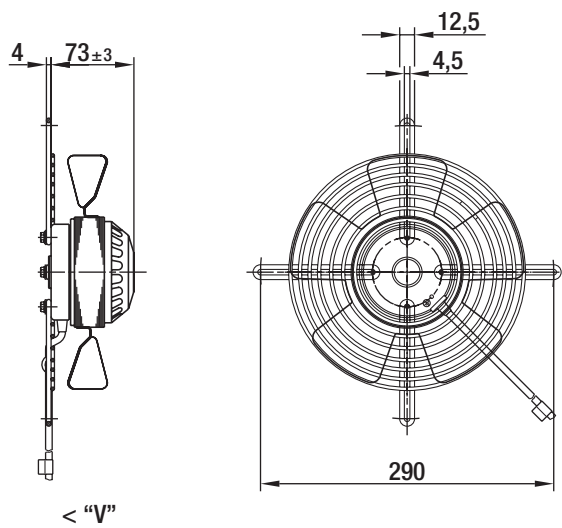
Type	S4S250-BA02-01			
Motor	M4S068-CF			
Phase		1~	1~	1~
Nominal voltage	[V]	230	230	230
Frequency	[Hz]	50	60	60
Type of data definition		rfa	rfa	rfa
Valid for approval / standard		CE	CE	UL
Speed	[min ⁻¹]	1400	1620	1620
Power input	[W]	72	67	75
Current draw	[A]	0,53	0.46	0.33
Max. back pressure	[Pa]	80	100	100
Max. ambient temperature	[°C]	40	50	50
Air flow	[m ³ /h]	870	1000	1000
Back pressure	[Pa]	0	0	0
Sound pressure level	[dB(A)]	58	62	62

ml = max. load · me = max. efficiency · rfa = running at free air · cs = customer specs · cu = customer unit
Subject to alterations

Technical features

Size	250 mm
Operation mode	Continuous operation (S1)
Direction of rotation	Counter-clockwise, seen on rotor
Direction of air flow	"V"
Insulation class	"B"
Cable exit	Lateral
Bearing motor	Ball bearing
Mass	1.7 kg
Material of impeller	Sheet steel, coated in black
Motor protection	Thermal overload protector (TOP) wired internally
Product conforming to standard	CE
Number of blades	5
Type of protection	IP 44 - depending on position
Protection class	I

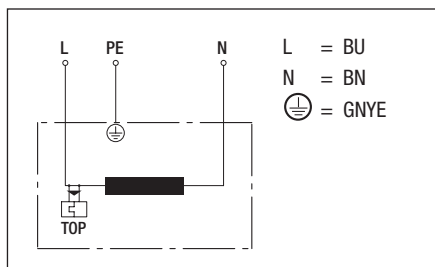
Product drawing



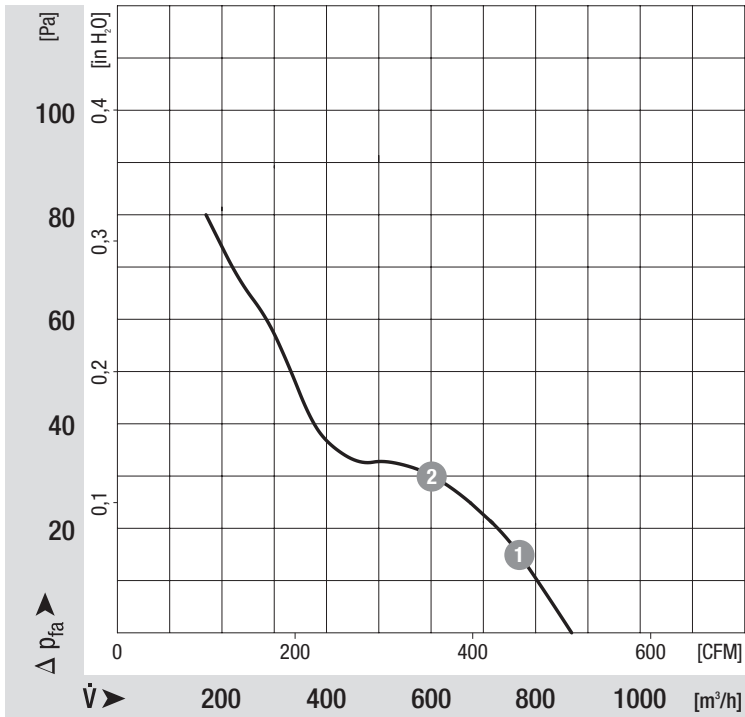
S4S250-BA02-01

AC axial fan with guard grille for full nozzle straight blades (A series)

Connection screen



Charts: Air flow 50 Hz



Measured values

	n	P ₁	I
	[min ⁻¹]	[W]	[A]
1	1400	70	0.52
2	1395	71	0.52

Charts: Air flow 60 Hz

