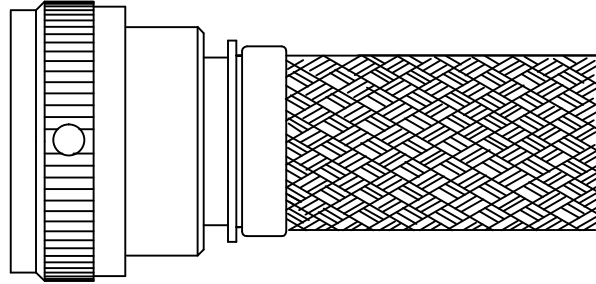


TE CONNECTIVITY (TE) RESERVES THE RIGHT TO CHANGE THIS DRAWING AT ANYTIME. USERS SHOULD EVALUATE THE SUITABILITY OF THE PRODUCT FOR THEIR APPLICATION.

REVISION			
LTR	DESCRIPTION	DATE	APPROVED
L	REVISED PER ECO-15-003575	03/06/2015	I. MYONG



CODE 21, SHIELDED STRAIGHT ADAPTER

NOTES:

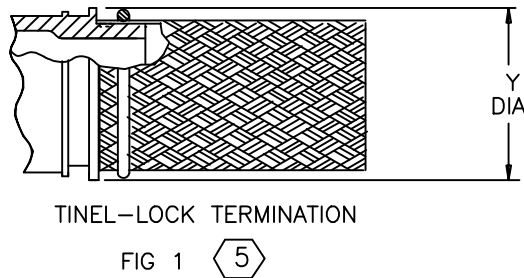
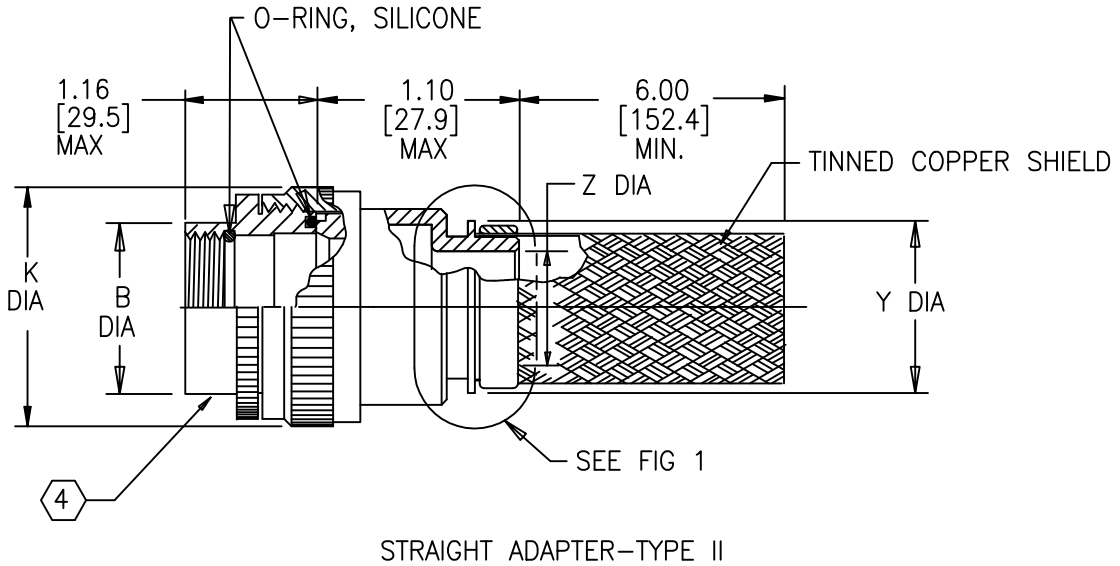
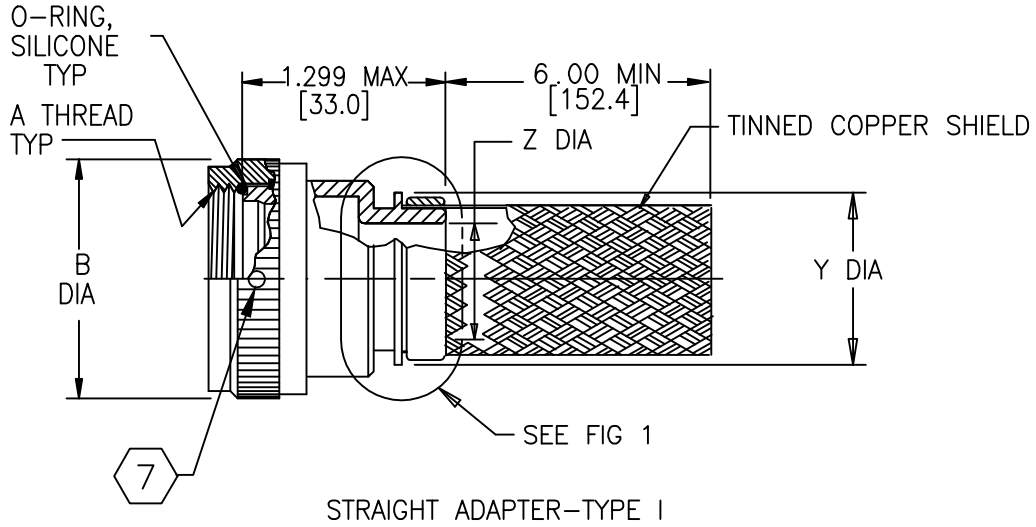
1. THIS PRODUCT IS DESIGNED TO TERMINATE A HEAT SHRINKABLE LIPPED BOOT TO A CONNECTOR.
2. FOR ADDITIONAL DIMENSIONS, ORDERING INFORMATION AND MODIFICATIONS, SEE CH00-0250-004.
3. ADAPTER TO BE PERMANENTLY MARKED WITH CODE IDENT. NO. AND PART NO. (E.G.: 06090-206M012-19B08 YYWW).
- ④ FOR LARGER ENTRY SIZES, A 2 PIECE ADAPTER (TYPE II) IS SUPPLIED.
- ⑤ BRAID TERMINATION RING MAY BE SUPPLIED AS TINEL-LOCK SHAPE MEMORY RING AT MANUFACTURER'S OPTION.
- ⑥ ADAPTER MATES TO MIL-DTL-26482 SERIES I, MS3110, MS3111, MS3116 CLASS E & F CONNECTORS.
- ⑦ ANTI-ROTATIONAL SET SCREW, 3 THREADED HOLES 120° ± 5° APART, SINGLE MATING SET SCREW SUPPLIED: AN565DC4H2. NOT REQUIRED FOR TYPE II ADAPTERS.

If this document is printed it becomes uncontrolled. Check for the latest revision

©2015 TE CONNECTIVITY LTD. FAMILY OF COMPANIES. ALL RIGHTS RESERVED  
 TE CONNECTIVITY AND TE CONNECTIVITY (LOGO) ARE TRADEMARKS.  
 OTHER LOGOS PRODUCT AND/OR COMPANY NAMES MAY BE TRADEMARKS OF THEIR RESPECTIVE OWNERS.

Raychem Adapters  
 CUSTOMER DRAWING

UNLESS OTHERWISE SPECIFIED DIMENSIONS ARE IN INCHES. REFERENCE METRIC DIMENSIONS ARE IN BRACKETS [metric].	DRAWN: R. RAMIREZ	DATE: 05/24/1993		TE Connectivity			
	CHECKED:	DATE:					
DECIMALS TOLERANCES: XXX ± .005 [0.13mm] XX ± .01 [0.25mm] X ± .1 [0.50mm]	APPROVED: W. C. GAY	DATE: 05/24/1993	TITLE: ADAPTER, SOLID, CODE 21				
ANGLES TOLERANCE: ± 1'	MATERIAL: SEE NOTES	FINISH: SEE NOTES					
SCALE: DO NOT SCALE THIS DRAWING	CAD FILE: 206MOXX.dwg	THIRD ANGLE PROJECTION: 	SIZE: A	SHEET: 1 OF 3	CAGE CODE: 06090	DRAWING NO: 206MOXX	REV. L



If this document is printed it becomes uncontrolled. Check for the latest revision

Raychem Adapters  
CUSTOMER DRAWING



DO NOT  
SCALE THIS  
DRAWING

SIZE  
A

CAGE  
06090

SHEET  
2 OF 3

DWG. NO.

206M0XX

REV  
L

TABLE I

BASE PART NO.	SHELL SIZE 6	MAX ENTRY SIZE TYPE I 4	A THREAD CLASS 2B	B DIA MAX
206M008	8	04	.438-28 UNEF	.72 [18.3]
206M010	10	06	.562-24 UNEF	.85 [21.6]
206M012	12	08	.688-24 UNEF	.98 [24.9]
206M014	14	10	.812-20 UNEF	1.11 [28.2]
206M016	16	12	.938-20 UNEF	1.23 [31.2]
206M018	18	13	1.062-18 UNEF	1.35 [34.35]
206M020	20	15	1.188-18 UNEF	1.48 [37.6]
206M022	22	16	1.312-18 UNEF	1.60 [40.6]
206M024	24	18	1.438-18 UNEF	1.72 [43.55]

TABLE II

ENTRY SIZE	K MAX	Z DIA REF	Y DIA REF
03	NA	.188 [4.77]	.516 [13.1]
04	NA	.250 [6.35]	.516 [13.1]
05	.83 [21.0]	.312 [7.92]	.516 [13.1]
06	.83 [21.0]	.375 [9.53]	.705 [17.9]
07	.92 [23.4]	.438 [11.12]	.705 [17.9]
08	.97 [24.5]	.500 [12.70]	.705 [17.9]
09	1.18 [30.0]	.562 [14.27]	.705 [17.9]
10	1.18 [30.0]	.625 [15.87]	.953 [24.2]
11	1.28 [32.5]	.688 [17.47]	.953 [24.2]
12	1.35 [34.3]	.750 [19.05]	.953 [24.2]
13	1.41 [35.8]	.812 [20.62]	.953 [24.2]
14	1.41 [35.8]	.875 [22.23]	1.205 [30.6]
15	1.60 [40.6]	.938 [23.82]	1.205 [30.6]
16	1.60 [40.6]	1.000 [25.40]	1.205 [30.6]
17	1.60 [40.6]	1.062 [26.98]	1.307 [33.2]
18	1.66 [51.8]	1.126 [28.60]	1.307 [33.2]
20	2.04 [51.8]	1.252 [31.80]	1.654 [42.0]
21	2.04 [51.8]	1.023 [33.34]	1.654 [42.0]
22	2.23 [56.6]	1.378 [35.00]	1.654 [42.0]
24	2.23 [56.6]	1.500 [38.10]	1.654 [42.0]
28	2.48 [63.0]	1.750 [44.45]	1.929 [49.0]

If this document is printed it becomes uncontrolled. Check for the latest revision

## Raychem Adapters CUSTOMER DRAWING

DO NOT  
SCALE THIS  
DRAWINGSIZE  
ACAGE  
06090SHEET  
3 OF 3

DWG. NO.

206M0XX

REV  
L