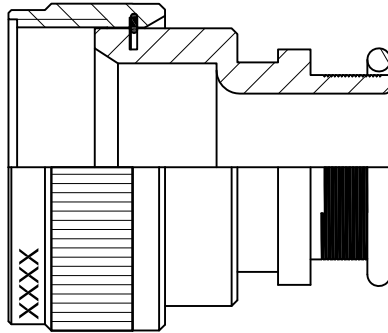


REVISIONS			
LTR	DESCRIPTION	DATE	APPROVED
J	REVISED PER ECD-12-021161	04DEC12	G.WELLS
K	REVISED PER ECD-14-002312	13FEB15	H.SMITH



CODE 54
STRAIGHT ADAPTER

NOTES:

1. THIS PRODUCT IS DESIGNED TO TERMINATE A BRAIDED CABLE SHIELD AND A HEAT SHRINKABLE LIPPED BOOT TO A CONNECTOR.
2. SEE CH00-0250-008 FOR ORDERING INFORMATION, MODIFICATIONS AND ADDITIONAL DIMENSIONS.
3. SEE DRAWING "TR" FOR DETAIL ON TINEL-LOCK RING. RINGS ARE DESIGNED TO BE HEATED ELECTRICALLY. ALL RINGS ARE MARKED WITH THERMOCHROMIC PAINT WHICH CHANGES COLOR WHEN INSTALLATION TEMPERATURE IS REACHED.
4. ADAPTER TO BE PERMANENTLY MARKED WITH CODE IDENT. NO. AND PART NO. LESS RING DESIGNATOR (E.G.: 06090-TXR54AB00-1206). RINGS SHALL BEAR NO MARKING.
5. FOR LARGER ENTRY SIZES, A 2 PIECE ADAPTER (TYPE II) IS SUPPLIED.
6. ADAPTER MATES TO MIL-C-81703, SERIES III, MS3424, MS3446, MS3464, MS3467, MS3468, CLASS E & L.
7. ADAPTER MATES TO MIL-C-5015G, MS3400 SERIES, CLASS D, E, K, L, U & W: MS3400, MS3401, MS3404, MS3406, MS3450, MS3451, MS3454, MS3456, MS3470, MS3471, MS3472, MS3474, MS3475, MS3476. MIL-C-83723, SERIES II, CLASS A & L. MIL-C-83723, SERIES I & III, CLASS A, G, K, R & S: M83723/1, /2, /3, /4, /5, /6, /7, /8, /13, /14, /36, /37, /38, /39, /40, /41, /42, /43, /48, /49, /65, /66, /67, /68, /69, /70, /71, /72, /73, /74, /75, /76, /77, /78, /82, /83, /84, /85, /86, /87, /91, /92, /95, /97, /98, (MS3155 CONTROLLED INTERFACE).
8. THESE DIMENSIONS APPLY IF A SELF-LOCKING COUPLING NUT IS USED. (MOD. CODE "S")
9. THESE DIMENSIONS APPLY IF AN ADAPTER MATERIAL IS STAINLESS STEEL.

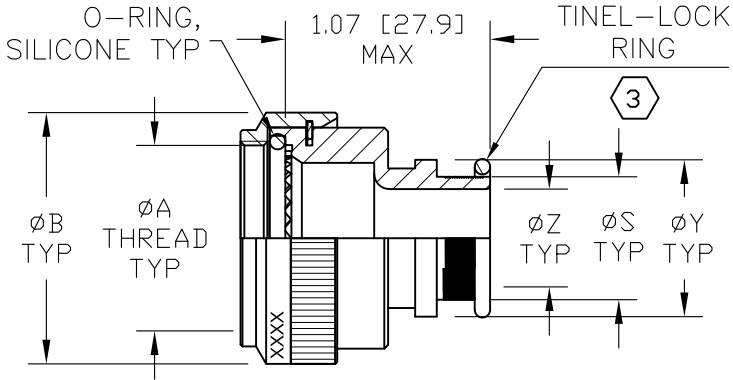
If this document is printed it becomes uncontrolled. Check for the latest revision

© 2015 TYCO ELECTRONICS. ALL RIGHTS RESERVED

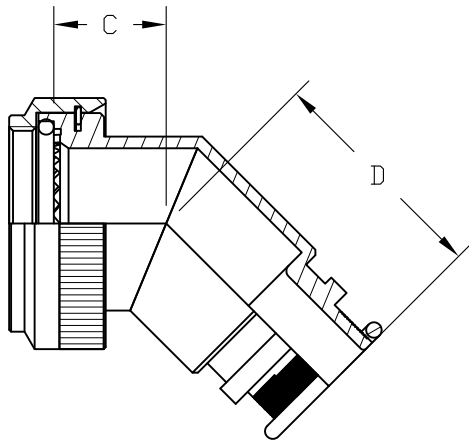
Raychem Adapters
CUSTOMER DRAWING

UNLESS OTHERWISE SPECIFIED DIMENSIONS ARE IN INCHES. METRIC DIMENSIONS ARE IN BRACKETS.	DRAWN R. RAMIREZ	DATE 03-18-93		TE Connectivity	
	CHECKED	DATE			
	APPROVED	DATE	TITLE		
	REVISED N. NAGAR	DATE 13-02-15	TINEL-LOCK™ ADAPTER		
DECIMALS .XXX ± 0.005 [0.13 mm] .XX ± 0.01 [0.25 mm] .X ± 0.1 [0.50 mm]	CAD NAME txr54_1_k_cd		SIZE A	CODE IDENT. NO. 06090	DWG. NO. TXR54
ANGLES .X ± 1 DEG.	THIRD ANGLE PROJECTION 	DO NOT SCALE THIS DWG		SHEET 1 OF 3	

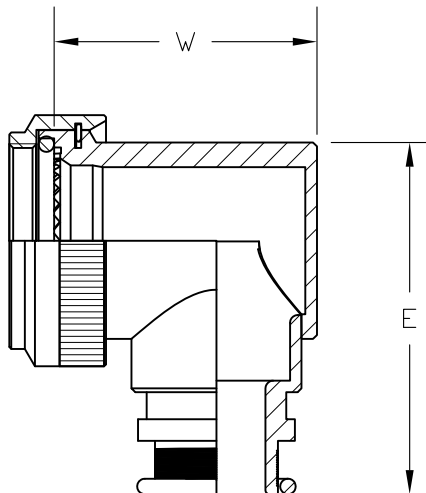
SEE SHEET 1 FOR REVISION



STRAIGHT ADAPTER-TYPE I

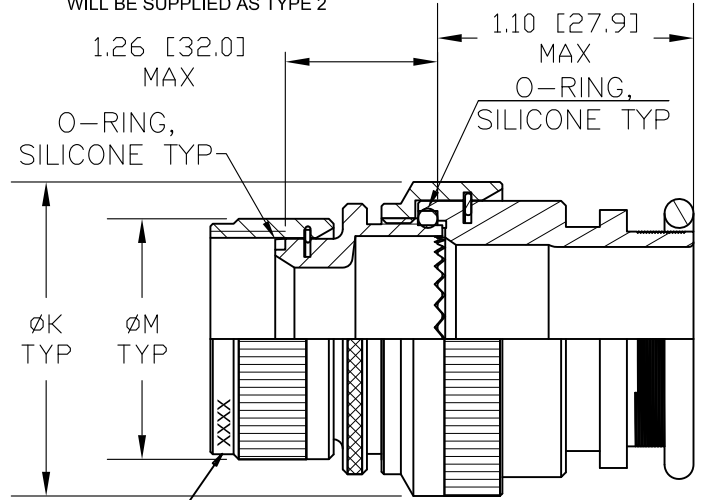


45° ADAPTER-TYPE I

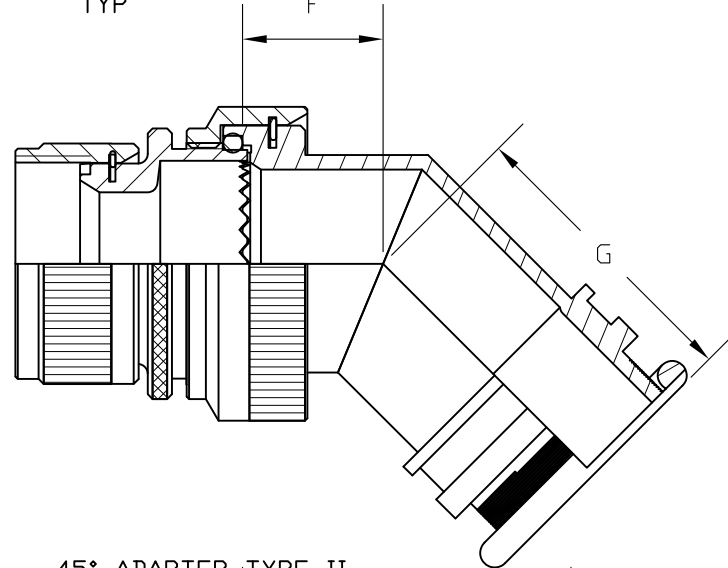


90° ADAPTER
TYPE I

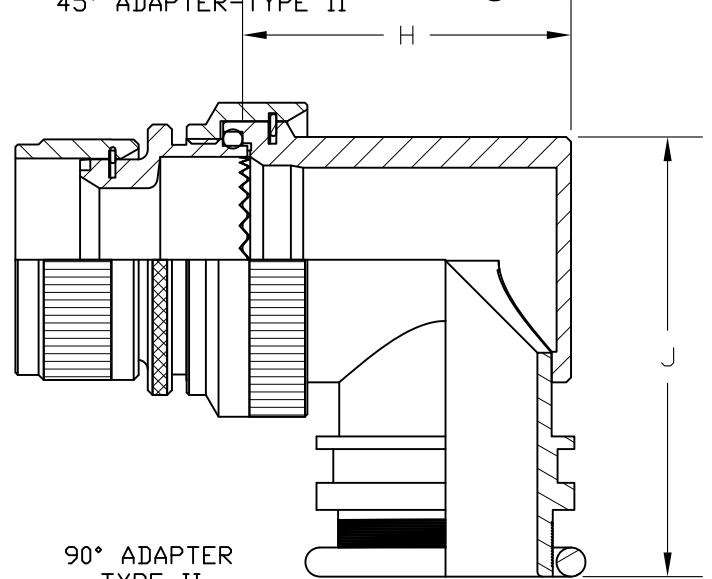
IF MAX ENTRY IS EXCEEDED ADAPTER
WILL BE SUPPLIED AS TYPE 2



STRAIGHT ADAPTER-TYPE II




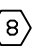

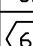
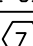
45° ADAPTER-TYPE II

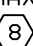
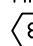


90° ADAPTER
TYPE II

Raychem Adapters
CUSTOMER DRAWING

SIZE	CODE IDENT. NO.	DWG. NO.	REV
A	06090	TXR54	K
DO NOT SCALE THIS DWG	CAD NAME	txr54_2_k_cd	SHEET 2 OF 3

ORDER NO.	SHELL SIZE		MAX ENTRY SIZE TYPE I 	A THREAD CLASS 2B	B DIA MAX	B DIA MAX 	C MAX	D MAX	E MAX	M DIA MAX	W MAX	W MAX 
												
03	3		04	.562-24 UNEF	.669 [17.00]	.940 [23.88]	.75 [19.1]	1.083 [27.5]	1.13 [28.7]	.695 [17.65]	1.06 [26.9]	1.05 [26.8]
08		8 & 8S	04	.500-20 UNF	.617 [15.67]	.890 [22.61]	.75 [19.1]	1.075 [27.3]	1.10 [27.9]	.630 [16.00]	.98 [25.0]	.90 [22.9]
10		10, 10S & 10SL	06	.625-24 UNEF	.734 [18.64]	1.010 [25.65]	.77 [19.6]	1.102 [28.0]	1.16 [29.5]	.757 [19.23]	1.06 [27.0]	1.00 [25.5]
12	7	12 & 12S	08	.750-20 UNEF	.858 [21.79]	1.140 [28.96]	.80 [20.3]	1.122 [28.5]	1.22 [31.0]	.882 [22.40]	1.16 [29.5]	1.13 [28.8]
14	12	14 & 14S	08	.875-20 UNEF	.984 [24.99]	1.260 [32.00]	.82 [20.8]	1.161 [29.5]	1.28 [32.5]	1.007 [25.58]	1.22 [31.0]	1.21 [30.9]
16	19	16 & 16S	10	1.000-20 UNEF	1.112 [28.24]	1.390 [35.31]	.84 [21.3]	1.190 [30.2]	1.35 [34.3]	1.132 [28.75]	1.36 [34.5]	1.34 [34.0]
18	27	18	12	1.062-18 UNEF	1.218 [30.94]	1.510 [38.35]	.86 [21.8]	1.220 [31.0]	1.40 [35.6]	1.218 [30.94]	1.48 [37.5]	1.41 [36.0]
20	37	20	14	1.188-18 UNEF	1.345 [34.16]	1.640 [41.66]	.88 [22.4]	1.236 [31.4]	1.46 [37.1]	1.345 [34.16]	1.67 [42.5]	1.54 [39.3]
22		22	16	1.312-18 UNEF	1.468 [37.30]	1.760 [44.70]	.91 [23.1]	1.244 [31.6]	1.53 [38.9]	1.468 [37.30]	1.75 [44.5]	1.67 [42.4]
24		24	18	1.438-18 UNEF	1.593 [40.46]	1.890 [48.00]	.93 [23.6]	1.283 [32.6]	1.59 [40.4]	1.593 [40.46]	1.80 [45.5]	1.78 [45.3]
28		28	22	1.750-18 UNS	1.969 [50.01]	2.140 [54.36]	.98 [24.9]	1.300 [33.0]	1.78 [45.2]	1.969 [50.01]	2.15 [54.7]	2.01 [51.2]
32		32	24	2.000-18 UNS	2.219 [56.36]	2.400 [60.96]	1.03 [26.2]	1.19 [30.2]	1.90 [48.3]	2.219 [56.36]	2.41 [61.4]	2.38 [60.5]
36		36	24	2.250-16 UN	2.469 [62.71]	2.640 [67.06]	1.08 [27.4]	1.23 [31.2]	2.03 [51.6]	2.469 [62.71]	2.67 [67.7]	2.60 [66.0]
40		40	24	2.500-16 UN	2.719 [69.06]	2.890 [73.41]	1.15 [29.1]	1.28 [32.5]	2.15 [54.6]	-- [---]	2.90 [73.7]	2.85 [72.5]
44		44	24	2.750-16 UN	2.969 [75.41]	3.140 [79.76]	1.20 [30.6]	1.355 [34.2]	2.28 [57.9]	-- [---]	3.15 [80.0]	2.99 [76.0]
48		48	24	3.000-16 UN	3.219 [81.76]	3.390 [86.11]	1.25 [31.8]	1.394 [35.4]	2.40 [61.0]	-- [---]	3.40 [86.3]	3.16 [80.3]
61	61		18	1.500-18 UNEF	1.653 [42.00]	1.880 [47.75]	.94 [23.9]	1.09 [27.7]	1.62 [41.1]	1.653 [42.00]	1.90 [48.3]	1.92 [48.8]

ENTRY SIZE	Z +.010 -.020	S DIA	Y ±.015 [±0.38]	F MAX	G MAX	H MAX	H MAX 	J MAX	K MAX	K MAX 
04	.250 [6.35]	.376 [9.56] .370 [9.39]	.550 [13.97]	N/A	N/A	N/A	N/A	N/A	N/A	N/A
05	.312 [7.92]	.438 [11.13] .432 [10.97]	.612 [15.54]	.77 [19.6]	1.10 [28.0]	1.19 [30.2]	1.19 [30.2]	1.16 [29.5]	.83 [21.0]	.97 [24.6]
06	.375 [9.53]	.501 [12.73] .495 [12.57]	.675 [17.14]	.77 [19.6]	1.10 [28.0]	1.19 [30.2]	1.19 [30.2]	1.16 [29.5]	.83 [21.0]	.97 [24.6]
07	.437 [11.09]	.563 [14.31] .556 [14.12]	.737 [18.71]	.80 [20.3]	1.10 [28.0]	1.38 [35.1]	1.38 [35.1]	1.22 [31.0]	.92 [23.4]	.97 [24.6]
08	.500 [12.70]	.626 [15.91] .619 [15.72]	.800 [20.32]	.80 [20.3]	1.12 [28.5]	1.38 [35.1]	1.38 [35.1]	1.22 [31.0]	.96 [24.5]	1.11 [28.3]
10	.625 [15.87]	.752 [19.11] .742 [18.84]	.925 [23.49]	.84 [21.3]	1.16 [29.5]	1.51 [38.4]	1.51 [38.4]	1.35 [34.3]	1.18 [30.0]	1.28 [32.4]
12	.750 [19.05]	.877 [22.28] .867 [22.02]	1.050 [26.67]	.88 [22.4]	1.19 [30.2]	1.63 [41.4]	1.63 [41.4]	1.40 [35.6]	1.35 [34.3]	1.40 [35.6]
14	.875 [22.23]	1.002 [25.46] .991 [25.17]	1.175 [29.84]	.88 [22.4]	1.22 [31.0]	1.78 [45.2]	1.78 [45.2]	1.46 [37.1]	1.41 [35.8]	1.51 [38.5]
16	1.000 [25.40]	1.127 [28.63] 1.116 [28.34]	1.300 [33.02]	.93 [23.6]	1.24 [31.4]	1.88 [47.8]	1.88 [47.8]	1.53 [38.9]	1.60 [40.6]	1.64 [41.7]
18	1.125 [28.57]	1.252 [31.81] 1.241 [31.52]	1.425 [36.19]	.93 [23.6]	1.25 [31.6]	2.01 [51.1]	2.01 [51.1]	1.59 [40.4]	1.66 [42.2]	1.73 [43.9]
20	1.250 [31.75]	1.377 [34.98] 1.366 [34.69]	1.550 [39.37]	.98 [24.9]	1.28 [32.6]	2.13 [54.1]	2.13 [54.1]	1.78 [45.2]	2.04 [51.8]	2.04 [51.8]
22	1.375 [34.93]	1.502 [38.15] 1.488 [37.79]	1.675 [42.55]	1.03 [26.2]	1.41 [35.8]	2.29 [58.2]	2.29 [58.2]	1.85 [47.0]	2.23 [56.6]	2.23 [56.6]
24	1.500 [38.10]	1.627 [41.33] 1.613 [40.97]	1.800 [45.72]	1.08 [27.4]	1.52 [38.6]	2.42 [61.5]	2.42 [61.5]	1.92 [48.8]	2.23 [56.6]	2.23 [56.6]
28	1.750 [44.45]	1.873 [47.58] 1.867 [47.42]	2.050 [52.00]	1.08 [27.4]	1.76 [44.9]	2.60 [66.0]	2.40 [60.8]	2.03 [51.6]	2.30 [58.5]	2.40 [61.0]

Raychem Adapters
CUSTOMER DRAWING

SIZE	CODE IDENT. NO.	DWG. NO.	REV
A	06090	TXR54	K
DO NOT SCALE THIS DWG		CAD NAME txr54_3_k_cd	SHEET 3 OF 3