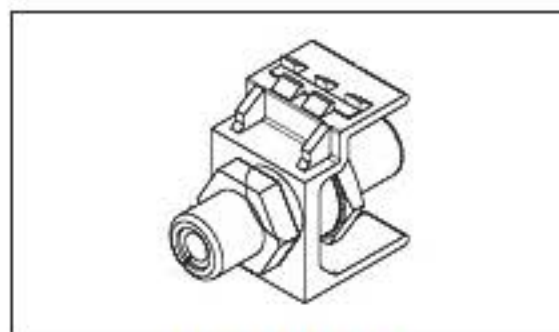




Home > Products > Product Feature Selector > Product Details

## 1933192-1 Product Details

[Share](#) [Print](#) [Email](#)



1933192-1

TE Internal Number: 1933192-1

Active

### Work Area Outlets

Always EU RoHS/ELV Compliant (Statement of Compliance)

### Product Highlights:

- Region = Asia, EMEA, Latin America, North America
- Insert
- SL Series Series
- RCA Coupler Connector Interface
- 1 Ports

[View all Features](#)

### Quick Links

- ▶ [Pricing & Availability](#)
- ▶ [Search for Tooling](#)
- ▶ [Product Feature Selector](#)
- ▶ [Contact Us About This Product](#)

[Add to My Part List](#) [Request Sample](#) [Find Similar Products](#) [Buy Product](#)

### Documentation & Additional Information

#### Product Drawings:

- [INSERT ASSEMBLY, RCA FEED-THRU, GREEN, SL SERIES \(PDF, English\)](#)

#### Catalog Pages/Data Sheets:

- None Available

#### Product Specifications:

- None Available

#### Application Specifications:

- None Available

#### Instruction Sheets:

- None Available

#### CAD Files:

- None Available

#### Related Products:

- [Tooling](#)

[List all Documents](#)

### Product Features (Please use the Product Drawing for all design activity)

#### Product Type Features:

- Product Type = Insert
- Series = SL Series
- Connector Interface = RCA Coupler
- Color = Light Almond

#### Body Features:

- Body Type = Green Dielectric

#### Configuration Features:

- Number of Ports = 1

#### Industry Standards:

- [RoHS/ELV Compliance](#) = RoHS compliant, ELV compliant
- [Lead Free Solder Processes](#) = Not relevant for lead free process
- [RoHS/ELV Compliance History](#) = Always was RoHS compliant

#### Conditions for Usage:

- Accepts = RCA Connectors

#### Operation/Application:

- Industry Application = NETCONNECT

#### Product Availability:

- Region = Asia, EMEA, Latin America, North America

#### Other:

- Industry = Enterprise Network Solutions
- Brand = TE Connectivity

### Corporate Information

- [About TE](#)
- [Investors](#)
- [News Room](#)
- [Supplier Portal](#)
- [Careers](#)
- [Terms & Conditions](#)
- [Privacy Policy](#)

### Quick Links

- [Distributor Inventory](#)
- [Product Cross Reference](#)
- [Documents & Drawings](#)
- [Product Compliance Support Center](#)
- [Site Map](#)

### Customer Support

- [Email or Chat With Us](#)
- [Find a Phone Number](#)
- [Knowledge Base](#)
- [Manage Your Account](#)

### Keep Me Informed

Receive TE News, Events & Technology Updates

