

# Automotive & Industrial Grade Ceramic SMD Crystal

**ABM8GAIG Series**

Request Samples



Check Inventory



3.2 x 2.5 x .08 mm  
**RoHS/RoHS II Compliant**  
 MSL Level = N/A



## Features

- AEC-Q200 Qualified
- Automotive Grade 1: -40°C to +125°C
- TS16949 Production Line Certified
- PPAP Available Upon Request
- Hermetically Glass-sealed Ceramic Package
- RoHS/RoHS II Compliant

## Applications

- Infotainment Systems
- Keyless Entry & Startup
- GPS & Navigation
- Comfort control
- ADAS (Advanced Driver Assistance Systems)
- Vehicle to Vehicle Communication
- LiDAR (Light Detection and Ranging)
- In-vehicle Networking
- Powertrain & Drive Control
- Power Control & Conversion
- Industrial Control & Automation

## Key Electrical Specifications

Parameters	Minimum	Typical	Maximum	Units	Notes
Frequency Range	10.000		54.000	MHz	
Operation Mode	Fundamental				
Operating Temperature	-40		+125	°C	Option “blank”; See options
Storage Temperature	-40		+125	°C	
Frequency Tolerance @+25°C	-50		+50	ppm	Option “blank”; See options
Frequency Stability over the Operating Temperature (ref. to +25°C)	-100		+100	ppm	Option “blank”; See options
Equivalent series resistance (R1)			200	Ω	10.000 – 12.000MHz
			100		12.000 – 15.999MHz
			80		16.000 – 19.999MHz
			60		20.000 – 54.000MHz
Shunt capacitance (C0)			2.0	pF	
Load capacitance (CL)		10		pF	Option “blank”; See options
Drive Level		10	100	μW	
Aging	-2		+2	ppm	@25°C±3°C First year
Insulation Resistance	500			MΩ	@ 100Vdc ± 15V

# Automotive & Industrial Grade Ceramic SMD Crystal

**ABM8GAIG Series**

Request Samples



Check Inventory



3.2 x 2.5 x .08 mm  
**RoHS/RoHS II Compliant**  
 MSL Level = N/A



## Options and Part Identification (left blank if standard)

ABM8GAIG -  MHz -  -  -    -

**Frequency in MHz**  
 Please specify the frequency in MHz.  
 e.g. 14.31818MHz

**Load Capacitance (pF)**  
 Blank: 10pF  
 If not standard, please specify CL in pF or S for series

**Custom ESR if other than standard**  
 R  
: Specify a value in  $\Omega$   
 (e.g.: R80)

**Operating Temp.**  
 Blank: -40°C ~ +125°C  
 N: -30°C ~ +85°C  
 D: -40°C ~ +85°C  
 J: -40°C ~ +105°C

**Freq. Tolerance**  
 Blank:  $\pm 50$  ppm  
 4:  $\pm 30$  ppm  
 3:  $\pm 25$  ppm  
 2:  $\pm 20$  ppm  
 7:  $\pm 15$  ppm  
 1:  $\pm 10$  ppm

**Packaging**  
 Blank: Bulk  
 T3: 3k pcs / reel

**Freq. Stability**  
 Blank:  $\pm 100$  ppm  
 Z:  $\pm 50$  ppm  
 P:  $\pm 45$  ppm (\*\*)  
 F:  $\pm 40$  ppm (\*\*)  
 H:  $\pm 35$  ppm (\*\*)  
 Y:  $\pm 30$  ppm (\*\*)  
 W:  $\pm 25$  ppm (\*\*)  
 X:  $\pm 20$  ppm (\*\*)  
 G:  $\pm 15$  ppm (\*\*)

**(\*\*) Contact Abracon for Availability**



5101 Hidden Creek Ln Spicewood TX 78669  
 Phone: 512-371-6159 | Fax: 512-351-8858  
 For terms and conditions of sales, please visit:  
[www.abracon.com](http://www.abracon.com)

REVISED: 02-18-22

ABRACON IS  
 ISO9001-2015  
 CERTIFIED

# Automotive & Industrial Grade Ceramic SMD Crystal

ABM8GAIG Series

Request Samples



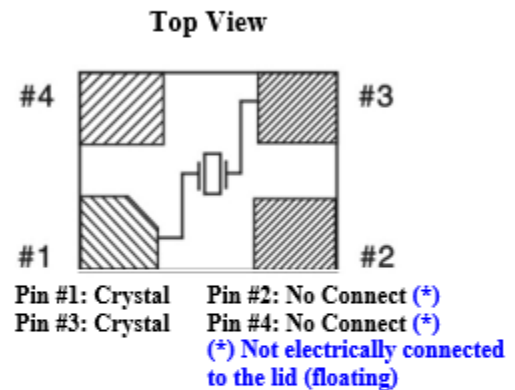
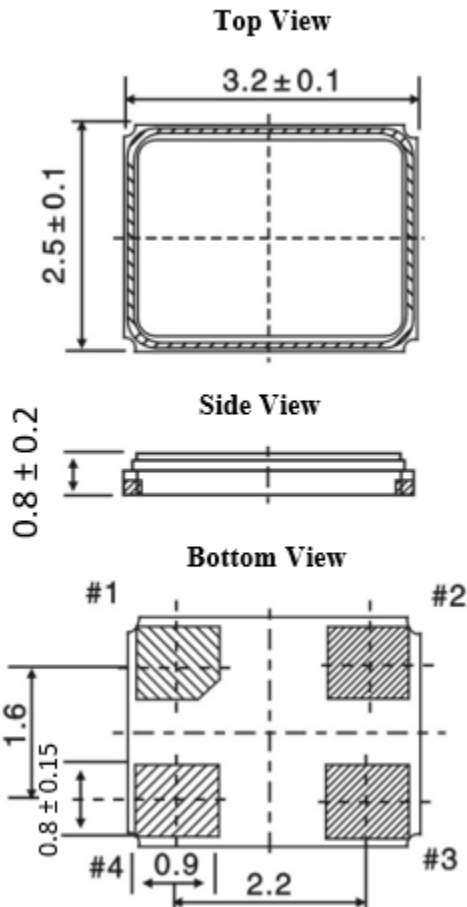
Check Inventory



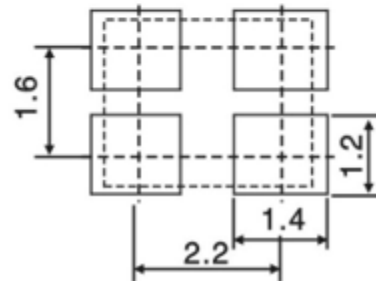
3.2 x 2.5 x .08 mm  
RoHS/RoHS II Compliant  
MSL Level = N/A



## Mechanical Dimensions



## Recommended Land Pattern



**Note:** Due to availability of raw materials, this part may be manufactured with the chamfer on pin 1 or pin 4. Be advised that this does not affect the electrical characteristics of the crystal in any way.

Dimensions: mm

Sealing Method = Glass Sealing

# Automotive & Industrial Grade Ceramic SMD Crystal

ABM8GAIG Series

Request Samples



Check Inventory



3.2 x 2.5 x .08 mm  
RoHS/RoHS II Compliant  
MSL Level = N/A



## Reflow Profile [JEDEC J-STD-020]

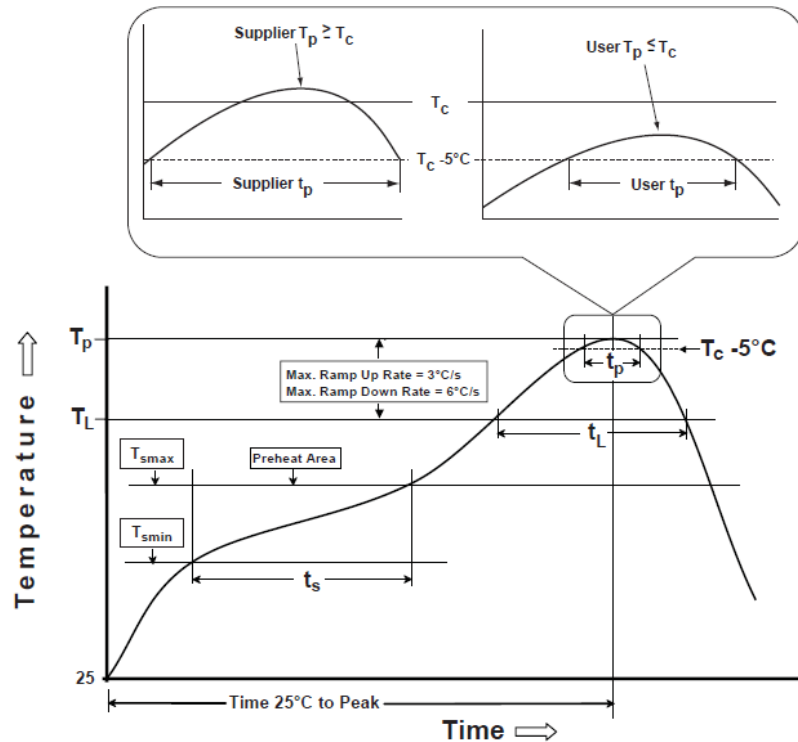


Table 1

### SnPb Eutectic Process

#### Classification Temperatures ( $T_c$ )

Package Thickness	Volume mm <sup>3</sup> <350	Volume mm <sup>3</sup> ≥350
<2.5 mm	235 °C	220 °C
≥2.5 mm	220 °C	220 °C

Table 2

### Pb-Free Process

#### Classification Temperatures ( $T_c$ )

Package Thickness	Volume mm <sup>3</sup> <350	Volume mm <sup>3</sup> 350-2000	Volume mm <sup>3</sup> >2000
<1.6 mm	260 °C	260 °C	260 °C
1.6 mm - 2.5 mm	260 °C	250 °C	245 °C
>2.5 mm	250 °C	245 °C	245 °C

Profile Feature	Sn-Pb Eutectic Assembly	Pb-Free Assembly
Preheat / soak		
Temperature minimum ( $T_{smin}$ )	100°C	150°C
Temperature maximum ( $T_{smax}$ )	150°C	200°C
Time ( $T_{smin}$ to $T_{smax}$ ) ( $t_s$ )	60 - 120 sec.	60 - 120 sec.
Average ramp-up rate ( $T_{smax}$ to $T_p$ )	3°C/sec. max	3°C/sec. max
Liquidous temperature ( $T_L$ )	183°C	217°C
Time at liquidous ( $t_L$ )	60 - 150 sec.	60 - 150 sec.
Peak package body temperature ( $T_p$ )*	see Table 1	see Table 2
Time ( $t_p$ )** within 5°C of the specified classification temperature ( $T_c$ )	20 sec.	30 sec.
Ramp-down rate ( $T_p$ to $T_{smax}$ )	6°C/sec. max	6°C/sec. max
Time 25°C to peak temperature	6 min. max	8 min. max
Reflow cycles	2 max	2 max

\*Tolerance for peak profile temperature ( $T_p$ ) is defined as a supplier minimum and a user maximum.

\*\*Tolerance for time at peak profile temperature ( $t_p$ ) is defined as supplier minimum and a user maximum.

# Automotive & Industrial Grade Ceramic SMD Crystal

ABM8GAIG Series

Request Samples



Check Inventory

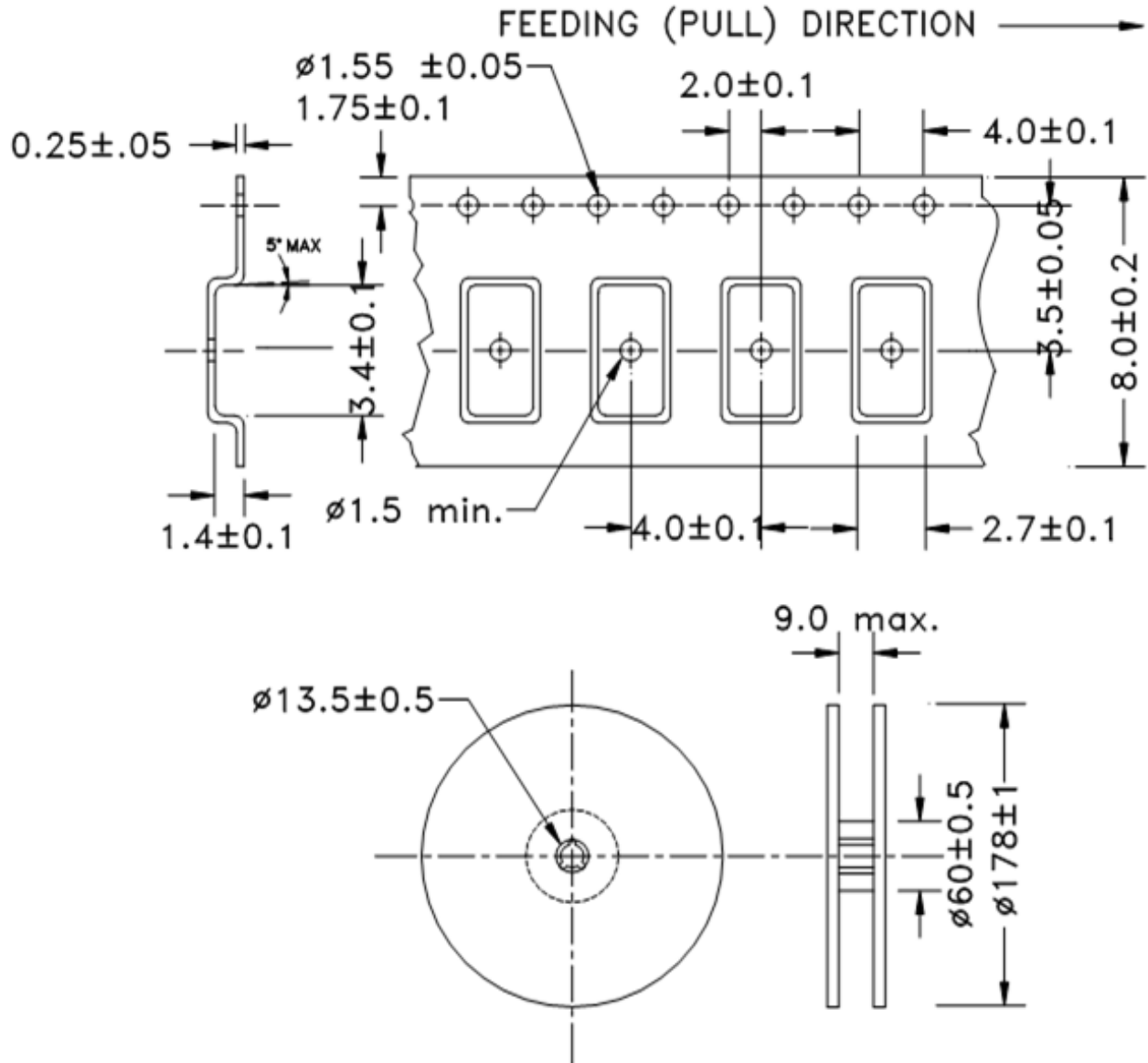


3.2 x 2.5 x .08 mm  
RoHS/RoHS II Compliant  
MSL Level = N/A



## Packaging

T3: 3000pcs/reel



Dimensions: mm

**ATTENTION:** Abracon LLC's products are COTS – Commercial-Off-The-Shelf products; suitable for Commercial, Industrial and, where designated, Automotive Applications. Abracon's products are not specifically designed for Military, Aviation, Aerospace, Life-dependent Medical applications or any application requiring high reliability where component failure could result in loss of life and/or property. For applications requiring high reliability and/or presenting an extreme operating environment, written consent and authorization from Abracon LLC is required. Please contact Abracon LLC for more information.



5101 Hidden Creek Ln Spicewood TX 78669  
Phone: 512-371-6159 | Fax: 512-351-8858  
For terms and conditions of sales, please visit:  
[www.abracon.com](http://www.abracon.com)

REVISED: 02-18-22

ABRACON IS  
ISO9001-2015  
CERTIFIED