

# 100/1000 Base-T Single Port LAN Transformer

ALAN-2341

RoHS/RoHS II Compliant



13.08 x 14.99 x 3.68mm

## FEATURES:

- Meet IEEE802.3 specification
- ROHS peak reflow temperature rating 245°C
- 1500Vrms Hi-Pot

## APPLICATIONS:

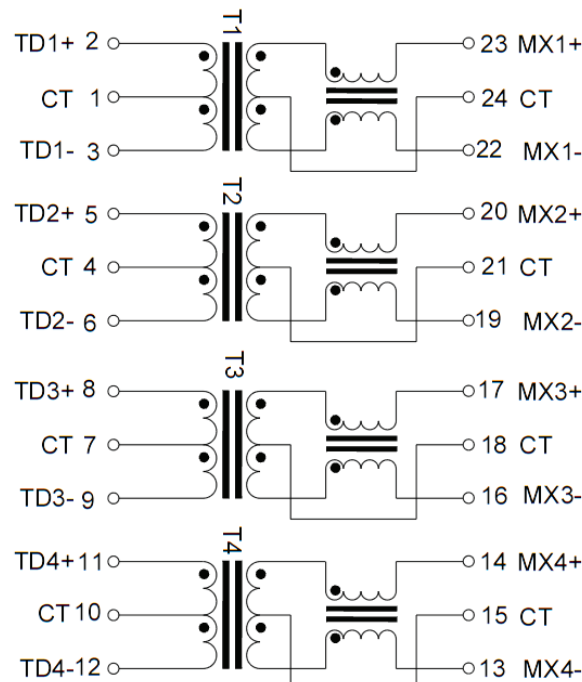
- Designed for most leading PHY IC manufacturers such as Broadcom, Marvell, Micrel, & Microsemi
- 100/1000Base-T Ethernet-LAN
- VoIP
- Symmetrical Tx & Rx channels for Auto MDI/MDIX capability
- Provides signal conditioning, EMI suppression and signal isolation.
- Hubs/Switches/Routers/Servers/NIC Cards

## STANDARD SPECIFICATIONS:

Key Electrical Specifications @ 25°C

Parameters	Minimum	Typical	Maximum	Units	Notes
Operating Temperature	0		+70	°C	
Storage Temperature	-40		+85	°C	
Turn Ratio (± 5%)		1CT:1CT			
Inductance (OCL)	350			μH	100KHz/0.1V@8mA
Insertion Loss			-1.0	dB	1-100MHz
Return Loss	-18			dB	1-30MHz
	-12				30-80MHz
	-10				100MHz
Cross Talk		-45		dB	1-30MHz
		-40			60MHz
		-35			80MHz
CMR		-42		dB	1-30MHz
		-40			60MHz
		-35			80MHz
Hi-Pot	1500Vrms				

## SCHEMATICS



# 100/1000 Base-T Single Port LAN Transformer

ALAN-2341

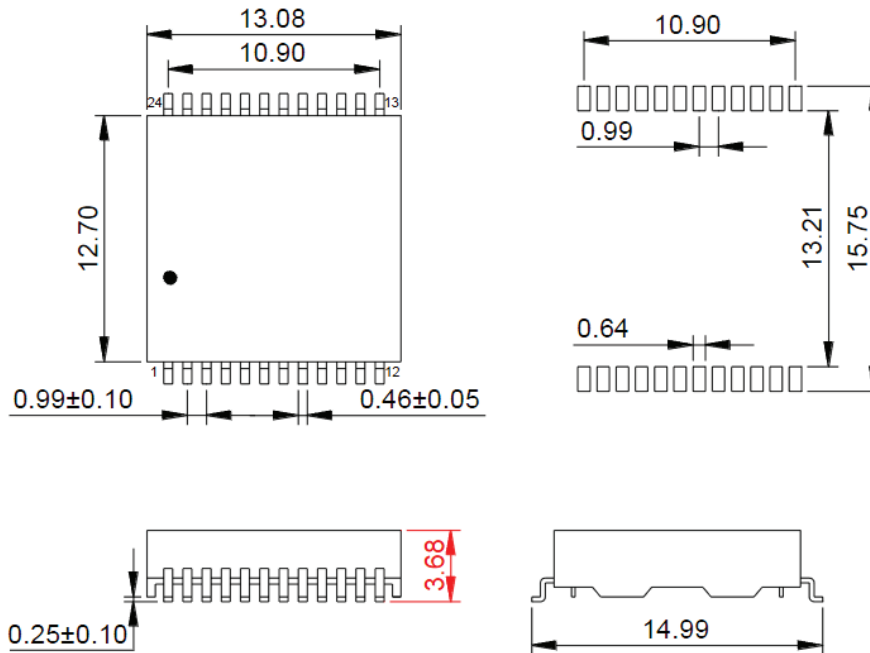
RoHS/RoHS II Compliant



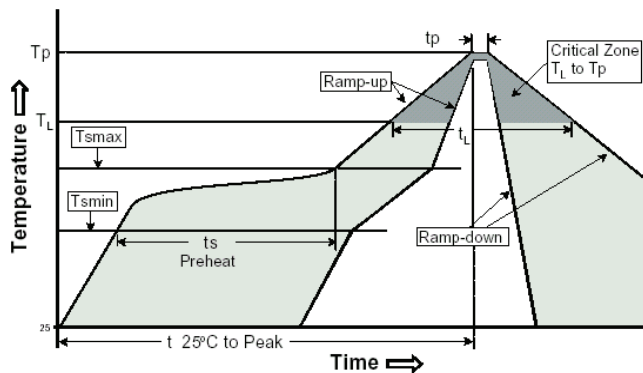
13.08 x 14.99 x 3.68mm

## OUTLINE DIMENSIONS:

### Recommended Land Pattern



## REFLOW PROFILE:



Profile Feature	Pb-Free Assembly
Average Ramp-Up Rate ( $T_{s_{max}}$ to $T_p$ )	3°C /second max.
Preheat -Temperature Min ( $T_{s_{min}}$ ) -Temperature Max ( $T_{s_{max}}$ ) -Time ( $t_{s_{min}}$ to $t_{s_{max}}$ )	150°C 200°C 60-120 seconds
<b>Time maintained above:</b> -Temperature ( $T_L$ ) -Time ( $t_L$ )	217°C 60-150 seconds
Peak/Classification Temperature ( $T_p$ )	245 $\pm$ 5°C
Time within 5°C of actual Peak Temperature ( $t_p$ )	20-40 seconds
Ramp-Down Rate	6°C /seconds max
Time 25°C to Peak Temperature	8 minutes max.

# 100/1000 Base-T Single Port LAN Transformer

ALAN-2341

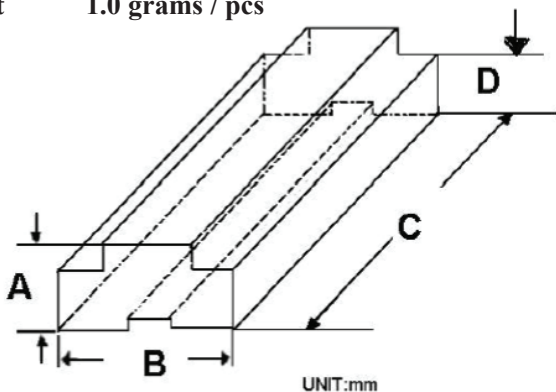
RoHS/RoHS II Compliant



13.08 x 14.99 x 3.68mm

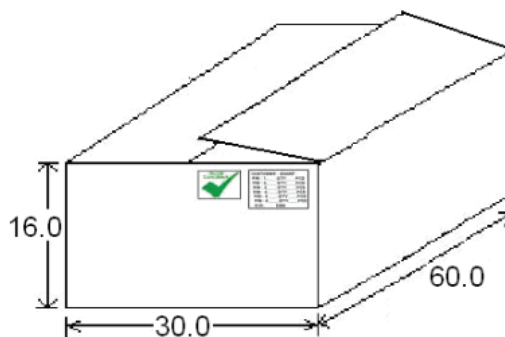
## TAPE & REEL:

**Packing Option 1:** 39 pcs / tube  
Weight 1.0 grams / pcs

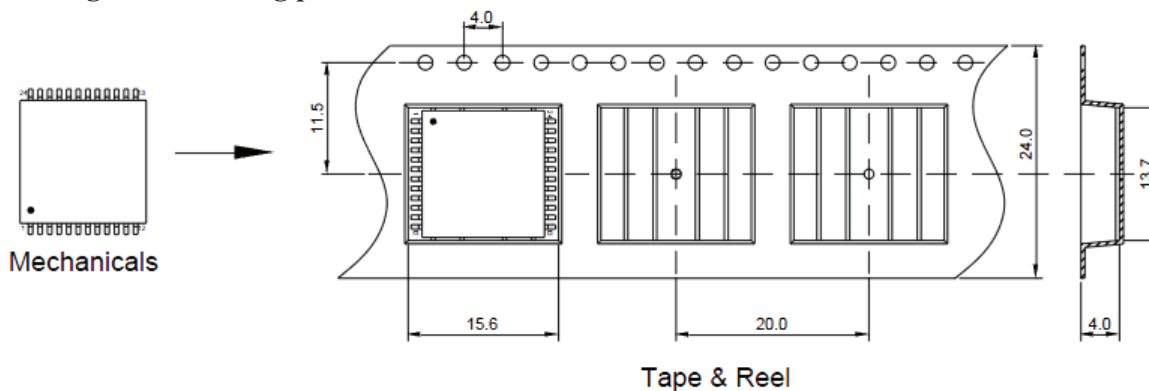


Size(mm)			
A	B	C	D
10.38	16.33	530	7.30

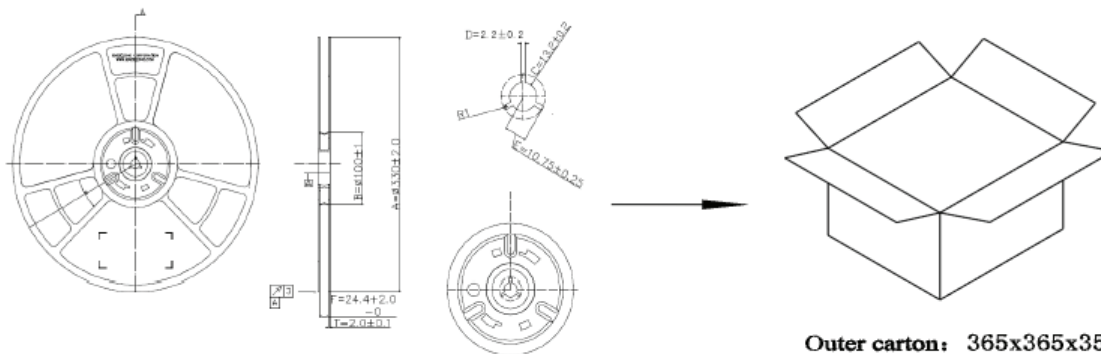
**Outer Carton Unit (optional):** 192 tubes / 7488 pcs / box



**Packing Option 2:** 800 pcs / Tape & Reel  
Carton Weight 13.5kg per carton



**Outer Carton Unit (optional):** 10 T&R / 8000 pcs / box



**Outer carton:** 365x365x350mm

**Dimensions: mm**

**ATTENTION:** Abracon Corporation's products are COTS – Commercial-Off-The-Shelf products; suitable for Commercial, Industrial and, where designated, Automotive Applications. Abracon's products are not specifically designed for Military, Aviation, Aerospace, Life-dependant Medical applications or any application requiring high reliability where component failure could result in loss of life and/or property. For applications requiring high reliability and/or presenting an extreme operating environment, written consent and authorization from Abracon Corporation is required. Please contact Abracon Corporation for more information.

ABRACON IS  
ISO 9001:2008  
CERTIFIED



2 Faraday, Suite# B | Irvine | CA 92618 **Revised: 07.07.15**  
Ph. 949.546.8000 | Fax. 949.546.8001  
Visit [www.abracon.com](http://www.abracon.com) for Terms and Conditions of Sale