

10/100 Base-Tx Tap Up RJ45 with LED

ARJC01-111002L

RoHS/RoHS II Compliant



16.2 x 13.55 x 25.3mm

FEATURES:

- Compliant with IEEE802.3 standard
- 350uH minimum OCL with 8mA bias current
- High performance for maximum EMI suppression
- High reliability – 750 mating/unmating cycles

APPLICATIONS:

- Designed for most leading PHY IC manufacturers such as Broadcom, Marvell, Microsemi.
- Supports 10/100 Base-T Applications
- Provides signal conditioning, EMI suppression and signal isolation.

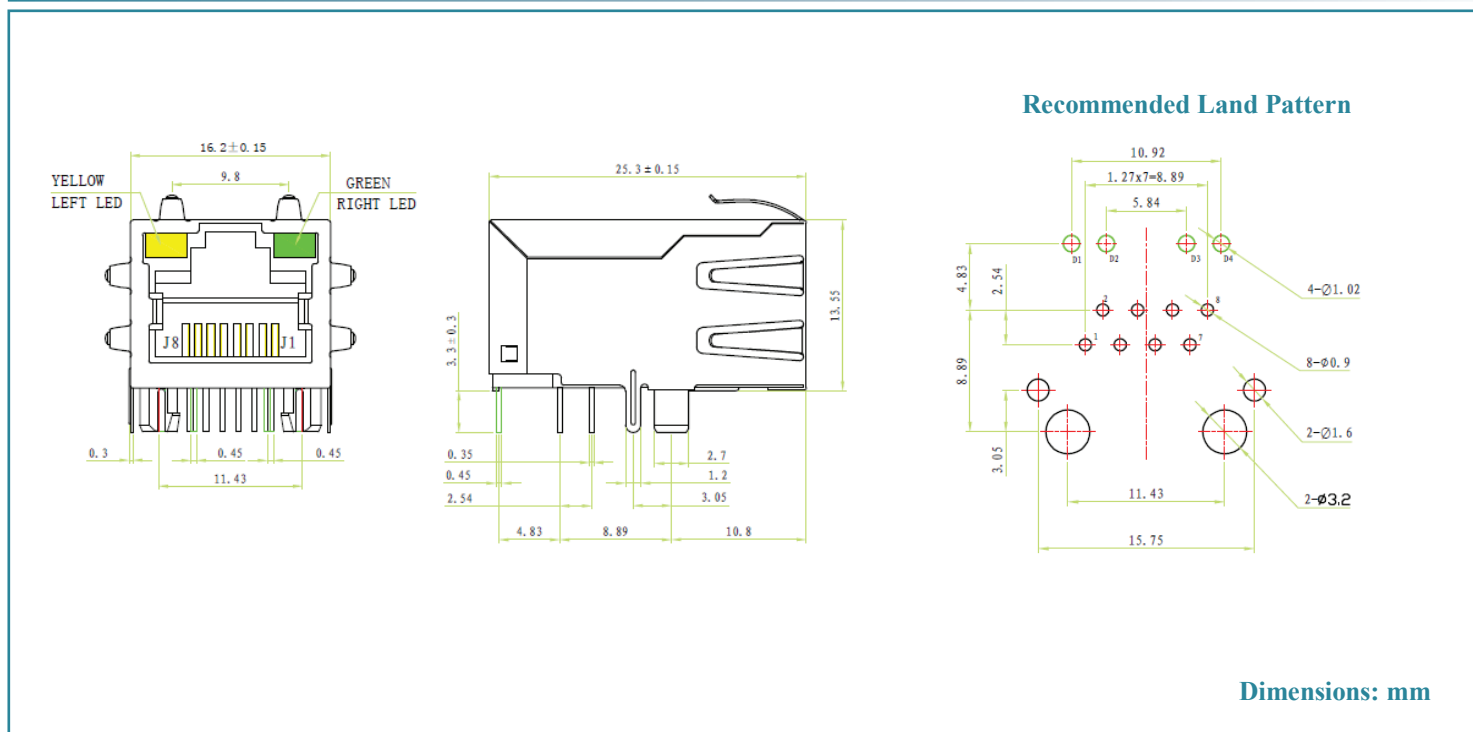
STANDARD SPECIFICATIONS

Operating temperature range: 0°C to +70°C Storage temperature range: -25°C to +85°C

Standard Electrical Specifications @25°C

| Parameters | Minimum | Typical | Maximum | Units | Notes |
|--------------------------|-----------------|---------|---------|-------|-----------------|
| Turn Ratio ($\pm 3\%$) | 1CT:1CT | | | | Tx and Rx |
| Inductance | 350 | | | uH | 100kHz/0.1V@8mA |
| Insertion Loss | | | -1.0 | dB | 1-100MHz |
| Return Loss | -18 | | | dB | 1-10MHz |
| | -16 | | | | 10-30MHz |
| | -14 | | | | 30-60MHz |
| | -12 | | | | 60-80MHz |
| | -10 | | | | 80-100MHz |
| CMR | -35 | | | dB | 1-100MHz |
| Crosstalk | -35 | | | dB | 1-100MHz |
| Hipot | 1500Vrms/1mA/1s | | | | |

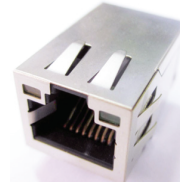
MECHANICAL DIMENSIONS



10/100 Base-Tx Tap Up RJ45 with LED

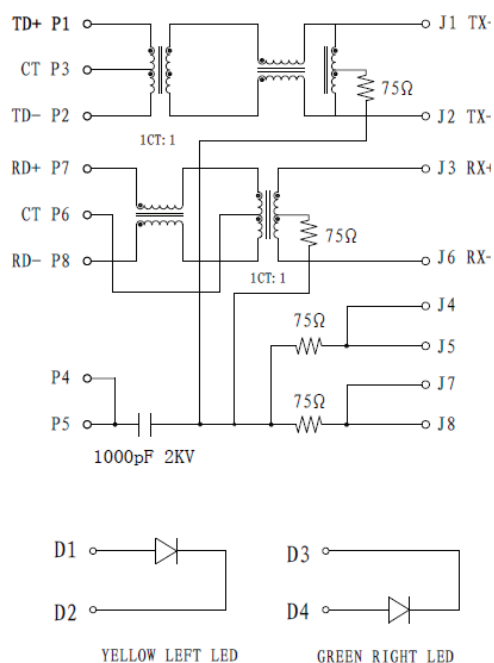
ARJC01-111002L

RoHS/RoHS II Compliant



16.2 x 13.55 x 25.3mm

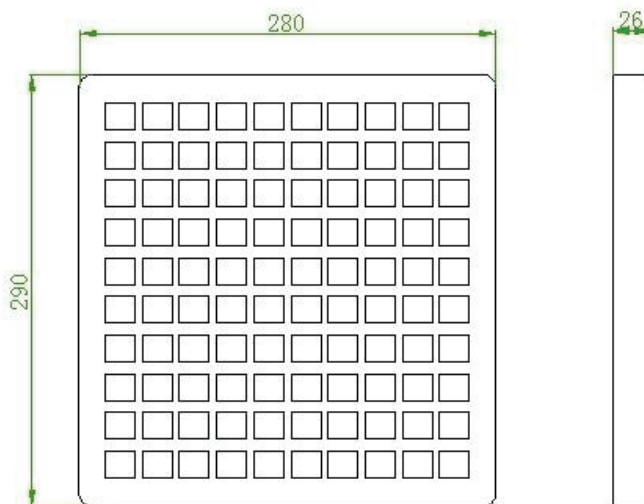
SCHEMATICS



- ◆ CAPACITOR: 1000pF ± 25% 2KV.
- ◆ RESISTANCE: 75OHMS ± 20%.
- ◆ RESISTANCE OF COIL: 1.8OHMS MAX, 0.25OHMS MIN.

PACKING:

Packing: (100pcs/tray)



Dimensions: mm

ATTENTION: Abracon Corporation's products are COTS – Commercial-Off-The-Shelf products; suitable for Commercial, Industrial and, where designated, Automotive Applications. Abracon's products are not specifically designed for Military, Aviation, Aerospace, Life-dependant Medical applications or any application requiring high reliability where component failure could result in loss of life and/or property. For applications requiring high reliability and/or presenting an extreme operating environment, written consent and authorization from Abracon Corporation is required. Please contact Abracon Corporation for more information.

ABRACON IS
ISO 9001:2008
CERTIFIED



Visit www.abracon.com for Terms & Conditions of Sale
30332 Esperanza, Rancho Santa Margarita, California 92688
tel 949-546-8000 | fax 949-546-8001 | www.abracon.com

Revised: 12.23.13