

RJ45 Jack with 10/100/1000 Base-TX Magnetic/Dual USB Combo

ARJU31B

RoHS
Compliant



18.85 x 30.52 x 27.40 mm

FEATURES:

- Tab up RJ 45 jack + 2 USB
- Available with or without LED
- Suitable CAT 5 & 6 cable and UTP
- Comply IEEE 802.3ab
- LAN Magnetic with RJ45 Jack
- Suitable for RoHS compliant reflow

APPLICATIONS:

- 10, 100 and 1000 Base-TX
- NIC, LoM and PC

STANDARD SPECIFICATIONS

Operating temperature range: 0°C to +70°C Storage temperature range: -40°C to +85°C

Part Number	Turns Ratio $\pm 5\%$		EMI Fingers	LEDs	Insertion Loss (dB max) 1 - 100 MHz	Return Loss (dB MIN @100 Ω \pm 15 Ω)		
	TX	RX		L/R		1 - 30 MHz	30 - 60 MHz	60 - 80 MHz
ARJU31B-MASB-AD-B-FLU2	1CT:1	1CT:1CT	No	G-O/Y	-1.0	-18	-16	-12
ARJU31B-MCSC-B-AD-ELU2	1CT:1	1CT:1CT	No	Y/G-O	-1.0	-18	-16	-12
ARJU31B-MASD-A-B-HLU2	1CT:1	1CT:1CT	No	G/Y	-1.0	-20	-14	-12
ARJU31B-MCSM-AD-B-GLT2	1CT:1	1CT:1	No	G-O/Y	-1.0	-18	-16	-12
ARJU31B-MCSN-A-AD-ELT2	1CT:1	1CT:1	No	G/G-O	-1.0	-18	-16	-12
ARJU31B-MCSO-A-AD-EMU2	1CT:1CT	1CT:1CT	No	G/G-O	-1.0	-18	-16	-12

Part Number	Crosstalk (dB TYP)			Common Mode Rejection (dB TYP)		Hipot (Vrms)
	1.0 - 10 MHz	32 - 60 MHz	60 - 100 MHz	1 - 50 MHz	50 - 100MHz	@ 60Hz
ARJU31B-MASB-AD-B-FLU2	-40	-35	-30	-30	-20	1500
ARJU31B-MCSC-B-AD-ELU2	-35	-35	-35	-30	-30	1500
ARJU31B-MASD-A-B-HLU2	-35	-35	--	-30	-30	1500
ARJU31B-MCSM-AD-B-GLT2	-35	-35	-35	-30	-30	1500
ARJU31B-MCSN-A-AD-ELT2	-40	-40	-35	-30	-25	1500
ARJU31B-MCSO-A-AD-EMU2	-40	-35	-30	-30	-20	1500

Contact Abracon for more custom configurations. See options to build a custom configuration.

OPTIONS AND PART IDENTIFICATION

ARJU31B - - - -

Mechanical	Schematic	Left LED color (e.g. B for Yellow, AB for Green-Yellow)	Right LED color (e.g. B for Yellow, AB for Green-Yellow)	LED polarity	Turns Ratio (Tx)	Turns Ratio (Rx)	Gold plating
MA ~ MD (Please see mechanical section)	SA ~ ST (Please see schematic section)	Blank: No LED A: Green B: Yellow C: Amber D: Orange	Blank: No LED A: Green B: Yellow C: Amber D: Orange	Blank: No LED E ~ K (Please see 7.0 LED polarity section)	K: 1CT:1.41 L: 1CT:1 M: 1CT:1CT N: 1.414:1CT O: 1CT:1.41CT P: 1:2CT Q: 1:1.414CT R: 1CT:2.5	S: 1CT:1.41 T: 1CT:1 U: 1CT:1CT V: 1.414:1CT W:1CT:1.41CT X: 1:2CT Y: 1:1.414CT Z: 1CT:2.5	2: 6u" 3: 15u" 4: 30u" 5: 50u"



RJ45 Jack with 10/100/1000 Base-TX Magnetic/Dual USB Combo

ARJU31B

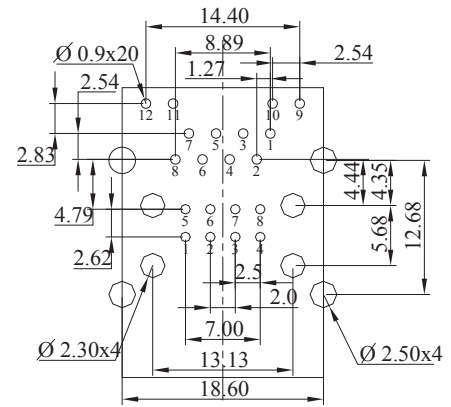
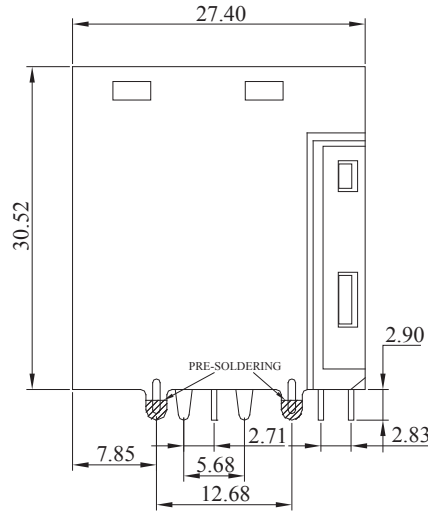
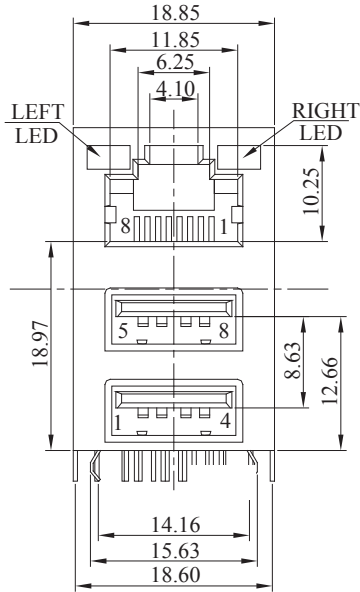
RoHS
Compliant



18.85 x 30.52 x 27.40 mm

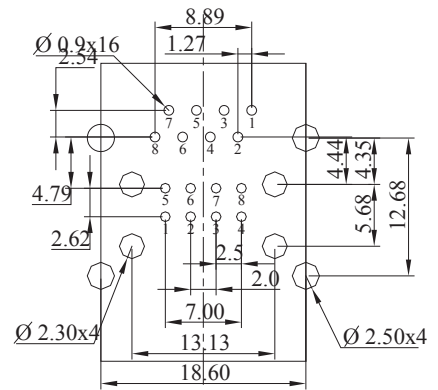
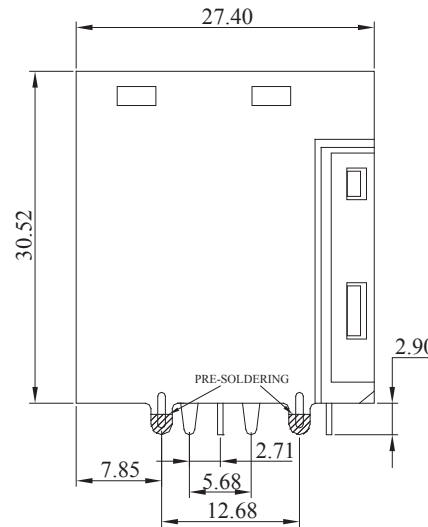
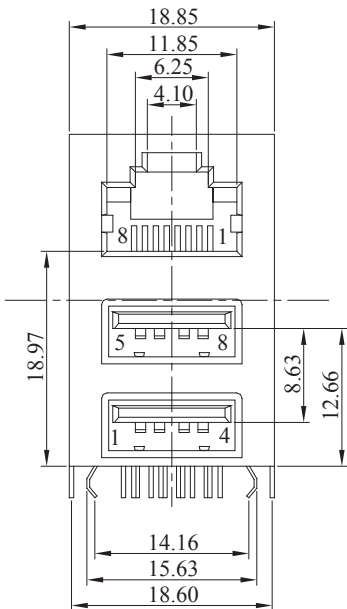
MECHANICAL DIMENSIONS

MA: 8PIN



PC Board Layout
Component Side Shown

MB: 8PIN



PC Board Layout
Component Side Shown



RJ45 Jack with 10/100/1000 Base-TX Magnetic/Dual USB Combo

ARJU31B

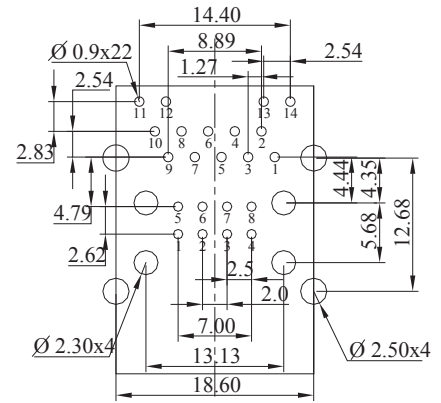
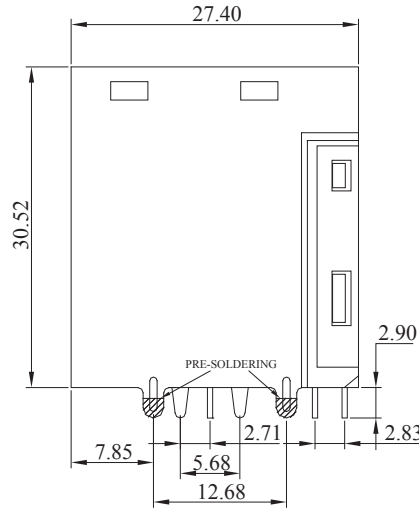
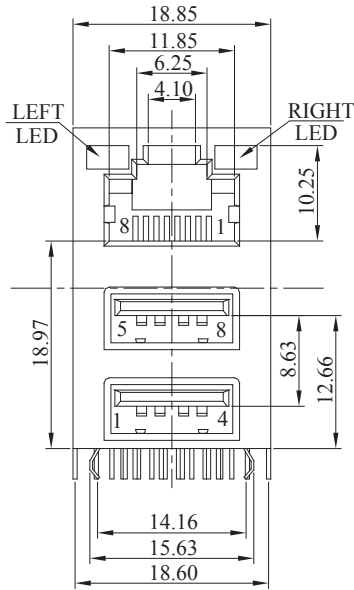
RoHS
Compliant



18.85 x 30.52 x 27.40 mm

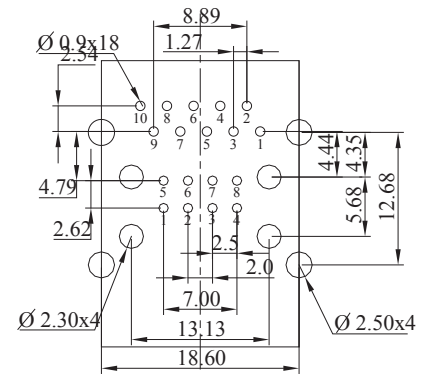
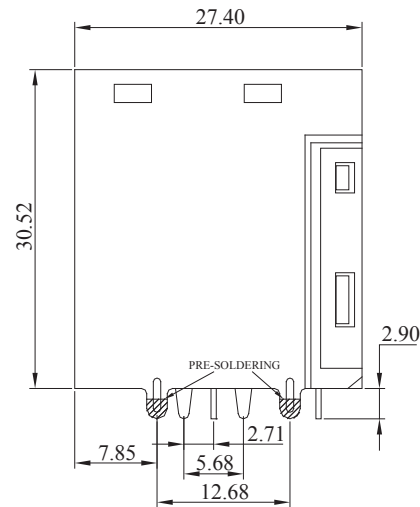
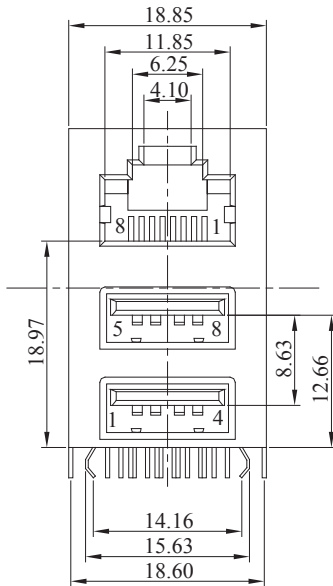
MECHANICAL DIMENSIONS

MC: 10PIN



PC Board Layout
Component Side Shown

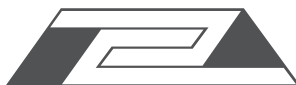
MD: 10PIN



PC Board Layout
Component Side Shown

Dimension: mm. All tolerances are ± 0.25 unless otherwise specified

ABRACON IS
ISO 9001:2008
CERTIFIED



ABRACON
CORPORATION

Visit www.abracon.com for Terms & Conditions of Sale
30332 Esperanza, Rancho Santa Margarita, California 92688
tel 949-546-8000 | fax 949-546-8001 | www.abracon.com

Revised: 09.27.12

RJ45 Jack with 10/100/1000 Base-TX Magnetic/Dual USB Combo

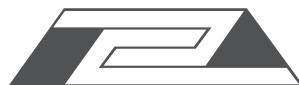
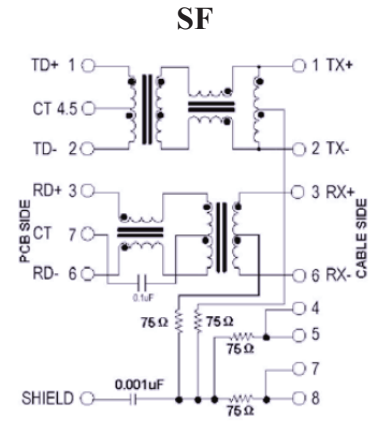
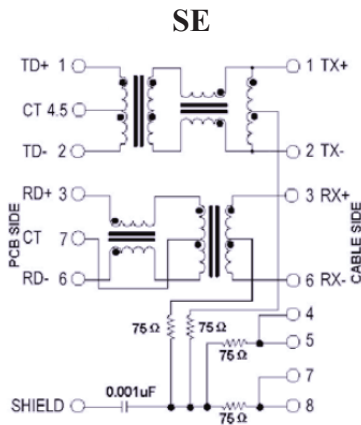
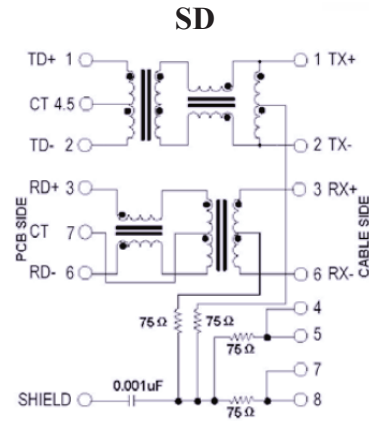
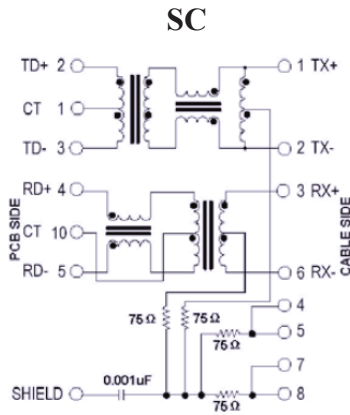
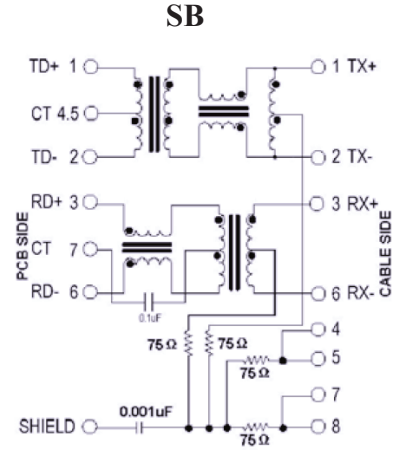
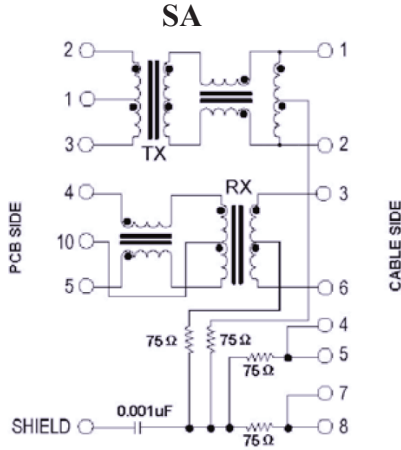
ARJU31B

RoHS
Compliant



18.85 x 30.52 x 27.40 mm

SCHEMATICS



RJ45 Jack with 10/100/1000 Base-TX Magnetic/Dual USB Combo

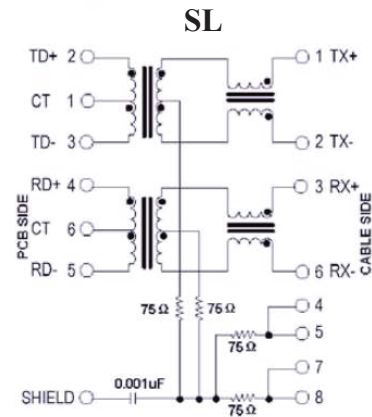
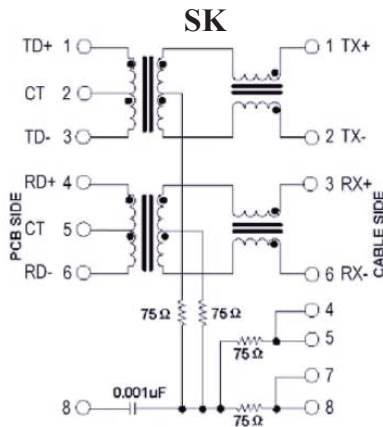
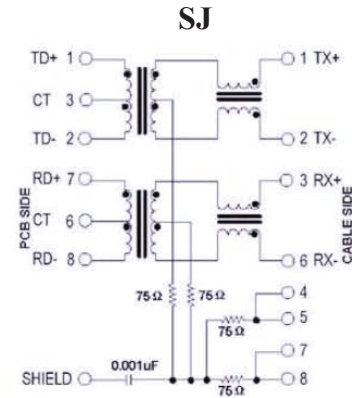
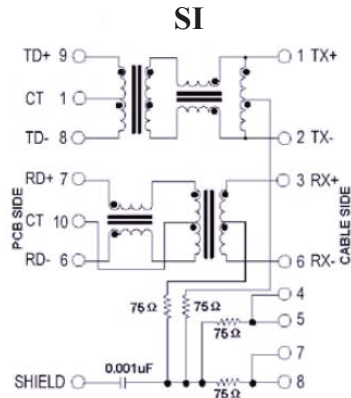
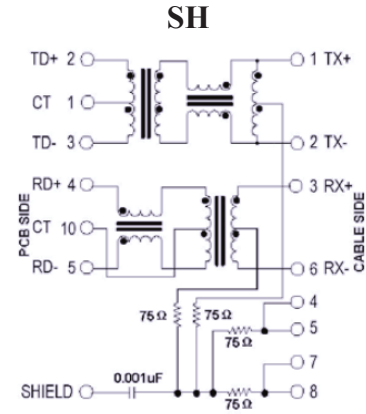
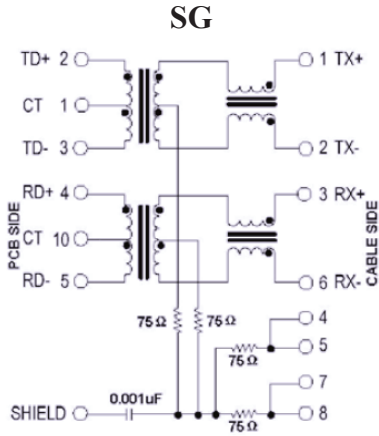
ARJU31B

RoHS
Compliant



18.85 x 30.52 x 27.40 mm

SCHEMATICS



RJ45 Jack with 10/100/1000 Base-TX Magnetic/Dual USB Combo

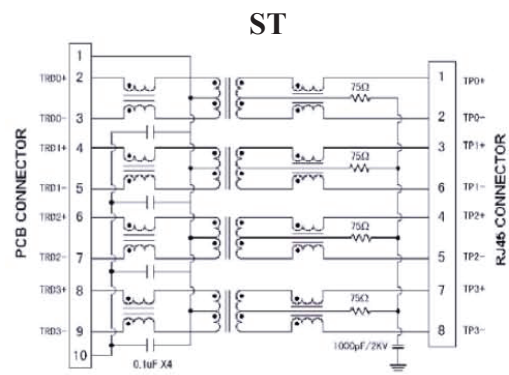
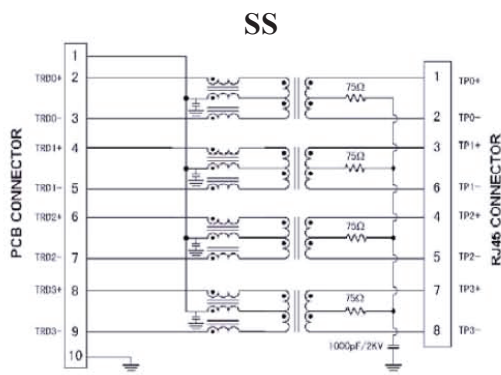
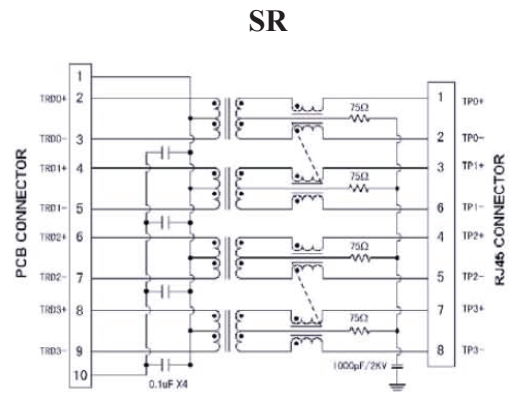
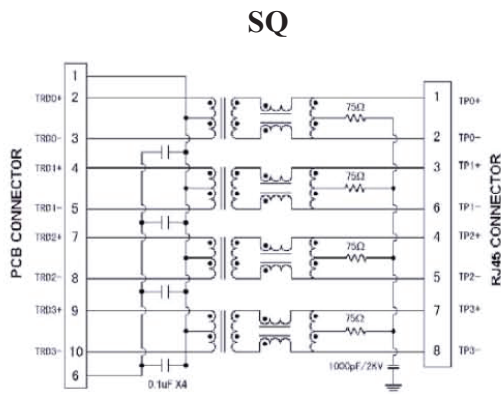
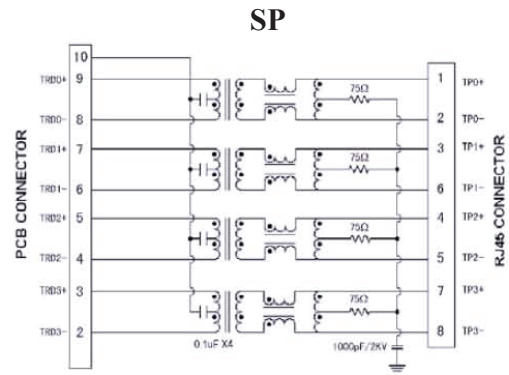
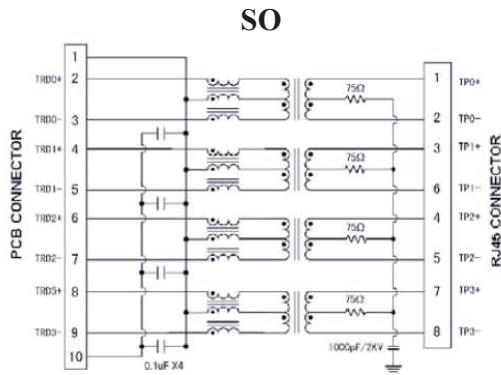
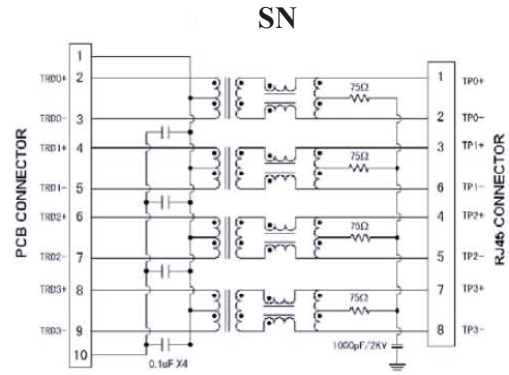
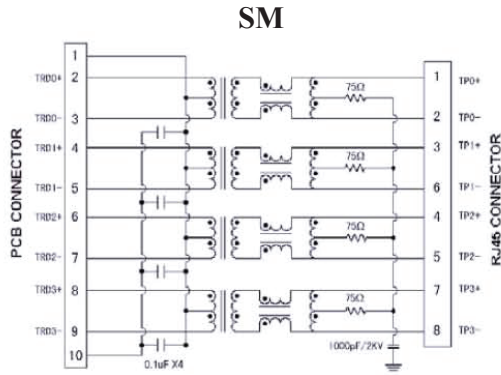
ARJU31B

RoHS
Compliant

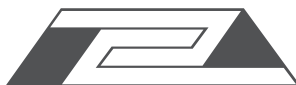


18.85 x 30.52 x 27.40 mm

SCHEMATICS



ABRACON IS
ISO 9001:2008
CERTIFIED



ABRACON
CORPORATION

Visit www.abracon.com for Terms & Conditions of Sale
30332 Esperanza, Rancho Santa Margarita, California 92688
tel 949-546-8000 | fax 949-546-8001 | www.abracon.com

Revised: 09.27.12

RJ45 Jack with 10/100/1000 Base-TX Magnetic/Dual USB Combo

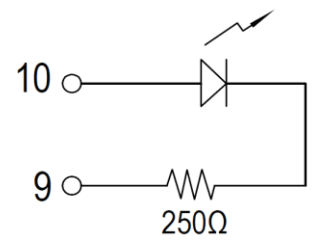
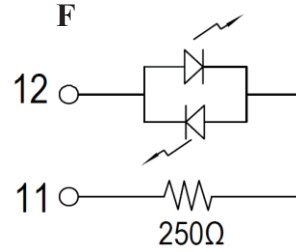
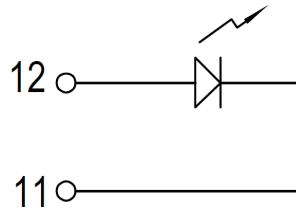
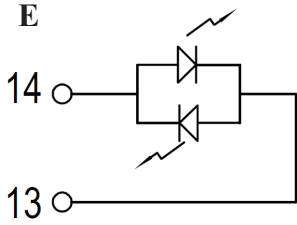
ARJU31B

RoHS
Compliant

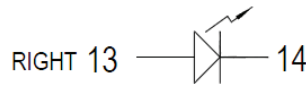
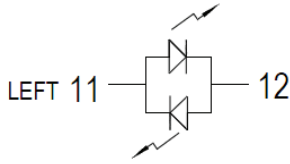


18.85 x 30.52 x 27.40 mm

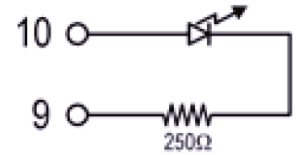
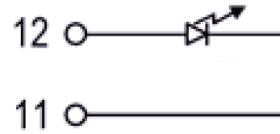
LED POLARITY



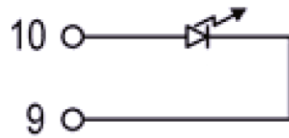
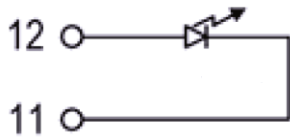
G



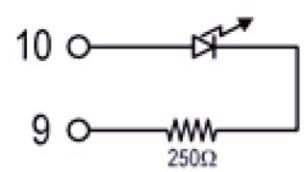
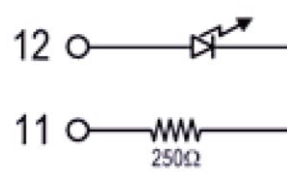
H



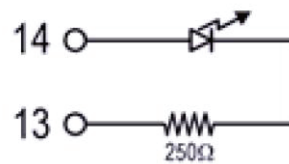
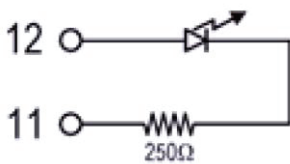
I



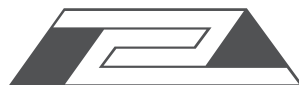
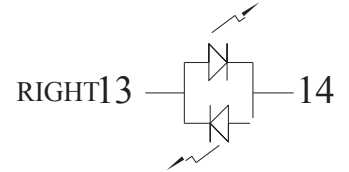
J



K



L



RJ45 Jack with 10/100/1000 Base-TX Magnetic/Dual USB Combo

ARJU31B

RoHS
Compliant

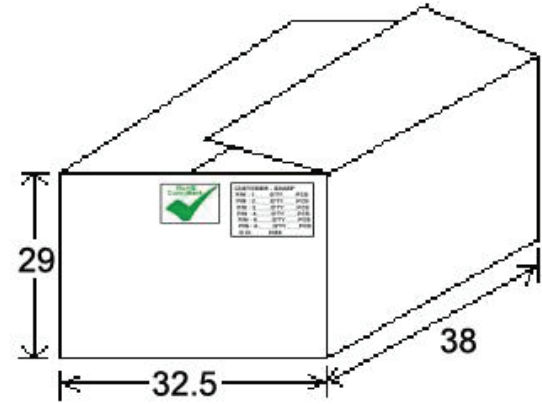
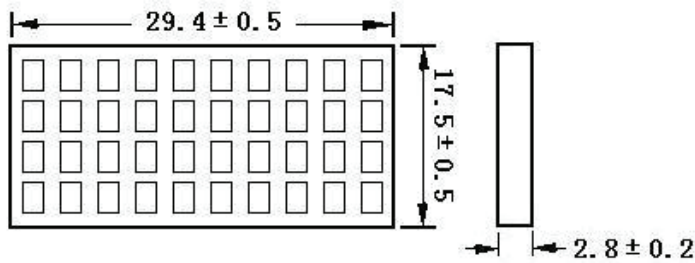


18.85 x 30.52 x 27.40 mm

PACKING: 40pcs/tray

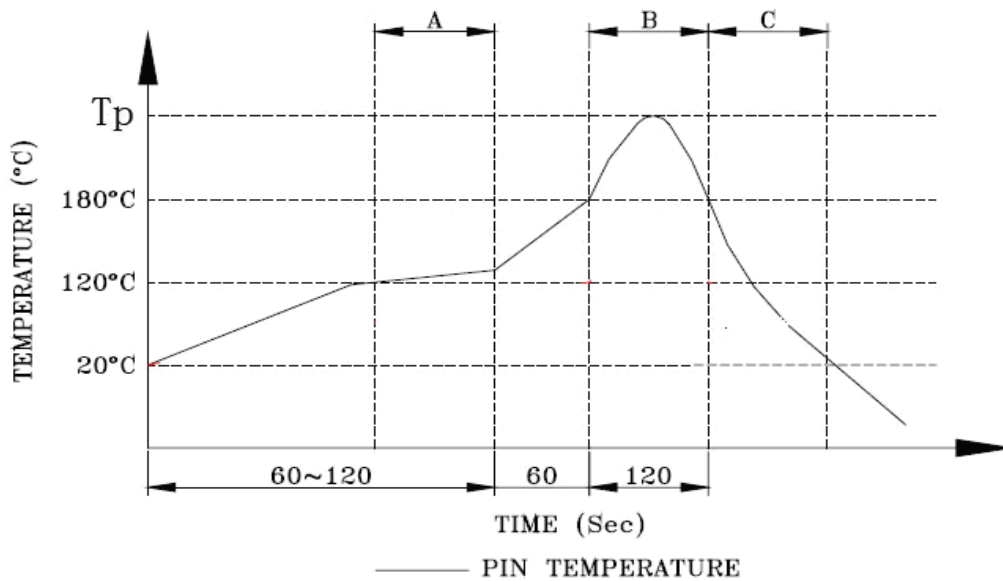
Outer carton unit 640 pcs/ 16 Trays/box

Packaging material: PET



Dimensions: cm

REFLOW PROFILE:



A. Preheating B. Soldering C. Gradual Cooling

Peak temperature(T_p) : $250 \pm 10^\circ\text{C}$

Peak temperature(T_p) time : 5sec max

ATTENTION: Abracon Corporation's products are COTS – Commercial-Off-The-Shelf products; suitable for Commercial, Industrial and, where designated, Automotive Applications. Abracon's products are not specifically designed for Military, Aviation, Aerospace, Life-dependant Medical applications or any application requiring high reliability where component failure could result in loss of life and/or property. For applications requiring high reliability and/or presenting an extreme operating environment, written consent and authorization from Abracon Corporation is required. Please contact Abracon Corporation for more information.

ABRACON IS
ISO 9001:2008
CERTIFIED



ABRACON
CORPORATION

Visit www.abracon.com for Terms & Conditions of Sale
30332 Esperanza, Rancho Santa Margarita, California 92688
tel 949-546-8000 | fax 949-546-8001 | www.abracon.com

Revised: 09.27.12