

# PERFORMANCE PLASTIC PACKAGE ULTRA MINIATURE PURE SILICON™ CLOCK OSCILLATORS

ASDMP



2.5 x 2.0 x 0.85 mm

ASDMP Series

Moisture Sensitivity Level – MSL 1



RoHS/RoHS II compliant

## FEATURES:

- Ultra Miniature Pure Silicon™ Clock Oscillator
- High Performance MEMS Technology by Discera
- Low Power Consumption for high speed communication
- Exceptional Stability Over Temp. at -40 to +85°C, ±15ppm
- Extended Automotive Grade Temp. stability at -55 to +125°C, ±25ppm
- MIL-STD-883 shock and vibration compliant
- Durable QFN Plastic Compact Packaging
- Standby or Disable Tri-state function
- Low jitter (Period jitter RMS and Phase jitter RMS)
- High power supply noise reduction, -50dBc

## APPLICATIONS:

- Storage Area Networks (SATA, SAS, Fiber Channel)
- Passive Optical Networks (EPON, 10G-EPON, GPON, 10G-PON)
- Ethernet (1G, 10GBASE-T/KR/LR/SR, FCoE)
- PCI Express
- Display port

## STANDARD SPECIFICATIONS:

### Common Key Electrical Specifications – CMOS, LVPECL, LVDS, and HCSL

| Parameters                           | Minimum  | Typical | Maximum | Units    | Notes                          |                                    |
|--------------------------------------|--|---------|---------|----------|--------------------------------|------------------------------------|
| Frequency Range                      | CMOS   | 2.3000* |         | 170.0000 | MHz                            | -20 ~ +70°C<br>-40 ~ +85°C         |
|                                      | CMOS   | 3.3000* |         | 170.0000 |                                | -40 ~ +105°C<br>-55 ~ +125°C       |
|                                      | LVPECL   | 2.3000* |         | 460.0000 |                                | Commercial, Industrial temp. range |
|                                      | LVDS   | 2.3000* |         | 460.0000 |                                | Commercial, Industrial temp range  |
|                                      | HCSL   | 2.3000* |         | 460.0000 |                                | Commercial, Industrial temp. range |
| Operating Temperature                | -20  |         | +70     | °C       | See options                    |                                    |
| Storage Temperature                  | -55  |         | +150    | °C       |                                |                                    |
| Overall Frequency Stability          | -50  |         | +50     | ppm      | See options                    |                                    |
| Supply Voltage (Vdd)                 | +2.25  |         | +3.6    | V        |                                |                                    |
| Startup Time                         |  |         | 5       | ms       |                                |                                    |
| Enable Time                          |  |         | 20      | ns       | STD (Tri-state)                |                                    |
|                                      |  |         | 5       | ms       | PD option (Power Down)         |                                    |
| Disable Time                         |  |         | 5       | ns       |                                |                                    |
| Disable Current                      |  | 20      | 22      | mA       | STD (Tri-state)                |                                    |
|                                      |  |         | 0.095   |          | PD option (Power Down)         |                                    |
| Tri-state Function (Standby/Disable) | "1" (VIH ≥ 0.75*Vdd) or Open: Oscillation<br>"0" (VIL < 0.25*Vdd) : Hi Z |         |         | V        | 40kΩ pull-up resistor embedded |                                    |
| Aging                                | -5.0   |         | +5.0    | ppm      | First year                     |                                    |

\* For 2.3000MHz ≤ F0 ≤ 9.9999MHz, 6-8 weeks lead-time applies

### Key Electrical Specifications – CMOS

| Parameters                                 | Minimum         | Typical             | Maximum             | Units | Notes                 |
|--|-----------------|---------------------|---------------------|-------|-----------------------|
| Supply Current (I <sub>dd</sub> )          |                 | 31                  | 35                  | mA    | CL=15pF, 125MHz       |
| Output Logic Level                         | V <sub>OH</sub> | 0.9*V <sub>dd</sub> |                     | V     | I=±6mA                |
|  | V <sub>OL</sub> |                     | 0.1*V <sub>dd</sub> | V     |                       |
| Rise Time                                  |                 | 1.1                 | 2.0                 | ns    | CL=15pF               |
| Fall Time                                  |                 | 1.3                 | 2.0                 | ns    | 20% to 80%            |
| Duty Cycle                                 | 45              |                     | 55                  | %     |                       |
| Integrated Phase Jitter (J <sub>PH</sub> ) |                 | 0.30                | 2                   | ps    | 200kHz ~ 20MHz@125MHz |
|  |                 | 0.38                | 2                   |       | 100kHz ~ 20MHz@125MHz |
|  |                 | 1.70                | 2                   |       | 12kHz ~ 20MHz@125MHz  |
| Period Jitter RMS (J <sub>PER</sub> )      |                 | 3.0                 |                     | ps    |                       |

ABRACON IS  
ISO 9001:2008  
CERTIFIED



2 Faraday, Suite# B | Irvine | CA 92618 Revised: 08.19.15  
Ph. 949.546.8000 | Fax. 949.546.8001  
Visit [www.abracon.com](http://www.abracon.com) for Terms and Conditions of Sale

# PERFORMANCE PLASTIC PACKAGE ULTRA MINIATURE PURE SILICON™ CLOCK OSCILLATORS

ASDMP



2.5 x 2.0 x 0.85 mm

ASDMP Series



RoHS/RoHS II compliant

## Key Electrical Specifications – LVPECL

| Parameters                             |          | Minimum       | Typical | Maximum       | Units | Notes                         |
|--|----------|---------------|---------|---------------|-------|-------------------------------|
| Supply Current ( $I_{dd}$ )            |          |               | 56.5    | 58            | mA    | RL=50Ω                        |
| Output Logic Level                     | $V_{OH}$ | $V_{dd}-1.08$ |         |               | V     | RL=50Ω                        |
|  | $V_{OL}$ |               |         | $V_{dd}-1.55$ | V     |                               |
| Peak to Peak Output Swing ( $V_{pp}$ ) |          |               | 800     |               | mV    | Single ended                  |
| Rise Time                              | $T_r$    |               | 250     |               | ps    | RL=50Ω , CL=0pF<br>20% to 80% |
| Fall Time                              | $T_f$    |               | 250     |               |       |                               |
| Duty Cycle                             |          | 48            |         | 52            | %     | Differential                  |
| Integrated Phase Jitter ( $J_{PH}$ )   |          |               | 0.25    | 2             | ps    | 200kHz ~ 20MHz<br>@156.25MHz  |
|  |          |               | 0.38    | 2             |       | 100kHz ~ 20MHz<br>@156.25MHz  |
|  |          |               | 1.70    | 2             |       | 12kHz ~ 20MHz<br>@156.25MHz   |
| Period Jitter RMS ( $J_{PER}$ )        |          |               | 2.5     |               | ps    |                               |

## Key Electrical Specifications – LVDS

| Parameters                               |       | Minimum | Typical | Maximum | Units | Notes                         |
|--|-------|---------|---------|---------|-------|-------------------------------|
| Supply Current ( $I_{dd}$ )              |       |         | 29      | 32      | mA    | RL=100Ω                       |
| Output Offset Voltage ( $V_{OS}$ )       |       | 1.125   |         | 1.4     | V     | RL=100Ω differential          |
| Delta Offset Voltage ( $\Delta V_{OS}$ ) |       |         |         | 50      | mV    |                               |
| Peak to Peak Output Swing ( $V_{pp}$ )   |       |         | 350     |         | mV    | Single ended                  |
| Rise Time                                | $T_r$ |         | 200     |         | ps    | RL=50Ω , CL=2pF<br>20% to 80% |
| Fall Time                                | $T_f$ |         | 200     |         |       |                               |
| Duty Cycle                               |       | 48      |         | 52      | %     | Differential                  |
| Integrated Phase Jitter ( $J_{PH}$ )     |       |         | 0.28    | 2       | ps    | 200kHz ~ 20MHz<br>@156.25MHz  |
|  |       |         | 0.40    | 2       |       | 100kHz ~ 20MHz<br>@156.25MHz  |
|  |       |         | 1.70    | 2       |       | 12kHz ~ 20MHz<br>@156.25MHz   |
| Period Jitter RMS ( $J_{PER}$ )          |       |         | 2.5     |         | ps    |                               |

## Key Electrical Specifications – HCSL

| Parameters                             |          | Minimum | Typical | Maximum | Units | Notes                         |
|--|----------|---------|---------|---------|-------|-------------------------------|
| Supply Current ( $I_{dd}$ )            |          |         | 40      | 42      | mA    | RL=50Ω                        |
| Output Logic Level                     | $V_{OH}$ | 0.725   |         |         | V     | RL=50Ω                        |
|  | $V_{OL}$ |         |         | 0.1     | V     |                               |
| Peak to Peak Output Swing ( $V_{pp}$ ) |          |         | 750     |         | mV    | Single ended                  |
| Rise Time                              | $T_r$    | 200     |         | 400     | ps    | RL=50Ω , CL=2pF<br>20% to 80% |
| Fall Time                              | $T_f$    | 200     |         | 400     |       |                               |
| Duty Cycle                             |          | 48      |         | 52      | %     | Differential                  |
| Integrated Phase Jitter ( $J_{PH}$ )   |          |         | 0.25    | 2       | ps    | 200kHz ~ 20MHz<br>@156.25MHz  |
|  |          |         | 0.37    | 2       |       | 100kHz ~ 20MHz<br>@156.25MHz  |
|  |          |         | 1.70    | 2       |       | 12kHz ~ 20MHz<br>@156.25MHz   |
| Period Jitter RMS ( $J_{PER}$ )        |          |         | 2.5     |         | ps    |                               |

ABRACON IS  
ISO 9001:2008  
CERTIFIED



2 Faraday, Suite# B | Irvine | CA 92618 Revised: 08.19.15  
Ph. 949.546.8000 | Fax. 949.546.8001  
Visit [www.abracon.com](http://www.abracon.com) for Terms and Conditions of Sale

# PERFORMANCE PLASTIC PACKAGE ULTRA MINIATURE PURE SILICON™ CLOCK OSCILLATORS

ASDMP



2.5 x 2.0 x 0.85 mm

ASDMP Series



RoHS/RoHS II compliant

## Absolute Maximum Ratings

| Item            | Minimum | Maximum              | Unit | Condition |
|-----------------|---------|----------------------|------|-----------|
| Supply Voltage  | -0.3    | +4.0                 | V    |           |
| Input Voltage   | -0.3    | V <sub>dd</sub> +0.3 | V    |           |
| Junction Temp.  |         | +150                 | °C   |           |
| Storage Temp.   | -55     | +150                 | °C   |           |
| Soldering Temp. |         | +260                 | °C   | 40sec max |
| ESD             |         |                      | V    |           |
| HBM             |         | 4,000                |      |           |
| MM              |         | 400                  |      |           |
| CDM             |         | 1,500                |      |           |

## PART IDENTIFICATIONS:

### Programmed Orders (Quantity > 1,000pcs)

ASDMP [ ] - [ ] MHz - [ ] [ ] - [ ] - [ ]

| Output Type | Frequency in MHz                                      | Operating Temp.      | Overall Freq. Stability | Tri-state (Pin 1) | Packaging                        |
|-------------|---|----------------------|-------------------------|-------------------|----------------------------------|
| C: CMOS     | e.g. 156.2500 MHz<br>(Maximum 4 digits after decimal) | Blank: -20°C ~ +70°C | Blank: ±50ppm           | Blank: Tri-state  | Blank***: Tube (140pcs / Tube)   |
| LP: LVPECL  |   | L: -40°C ~ +85°C     | Y: ±10ppm*              | PD: Power Down    | T: Tape & Reel (1kpcs / reel)    |
| LV: LVDS    |   | X: -40°C ~ +105°C    | R: ±25 ppm              |                   | T3: Tape & Reel (3kpcs / reel)   |
| HC: HCSL    |   | Z**:-55°C ~ +125°C   |                         |                   | T5: Tape & Reel (5kpcs / reel)   |
|             |   |                      |                         |                   | T10: Tape & Reel (10kpcs / reel) |

\* Temp option L, X or -20°C ~ +70°C, only

\*\* CMOS output only

\*\*\* For Quick turn-around programmable orders < 1000pcs: Due to the immediate availability of stock and the qty of the order, the parts may be delivered as BULK: Cut Tape, Loose parts in Antistatic Bag or in Tube(s). The MOQ per the series will still apply for Tube packaging.

### Un-Programmed Orders

Blank un-programmed oscillators and our low cost portable programmer are available for quick turn engineering requirements. Please call ABRACON or visit MEMSpeed Pro II site <http://www.abracon.com/memspeedpro/MEMSpeedProFlyerII.pdf> for more information.

ASDMP [ ] - BLANK - [ ] [ ] - [ ] - [ ]

| Output Type | Operating Temp.      | Overall Freq. Stability | Tri-state (Pin 1) | Packaging                        |
|-------------|----------------------|-------------------------|-------------------|----------------------------------|
| C: CMOS     | Blank: -20°C ~ +70°C | Blank: ±50ppm           | Blank: Tri-state  | Blank: Tube (140pcs / Tube)      |
| LP: LVPECL  | L: -40°C ~ +85°C     | Y: ±10ppm*              | PD: Power Down    | T: Tape & Reel (1kpcs / reel)    |
| LV: LVDS    | X: -40°C ~ +105°C    | R: ±25 ppm              |                   | T3: Tape & Reel (3kpcs / reel)   |
| HC: HCSL    | Z**:-55°C ~ +125°C   |                         |                   | T5: Tape & Reel (5kpcs / reel)   |
|             |                      |                         |                   | T10: Tape & Reel (10kpcs / reel) |

\* Temp option L, X or -20°C ~ +70°C, only

\*\* CMOS output only

ABRACON IS  
ISO 9001:2008  
CERTIFIED



2 Faraday, Suite# B | Irvine | CA 92618 Revised: 08.19.15  
Ph. 949.546.8000 | Fax. 949.546.8001  
Visit [www.abracon.com](http://www.abracon.com) for Terms and Conditions of Sale

# PERFORMANCE PLASTIC PACKAGE ULTRA MINIATURE PURE SILICON™ CLOCK OSCILLATORS

ASDMP



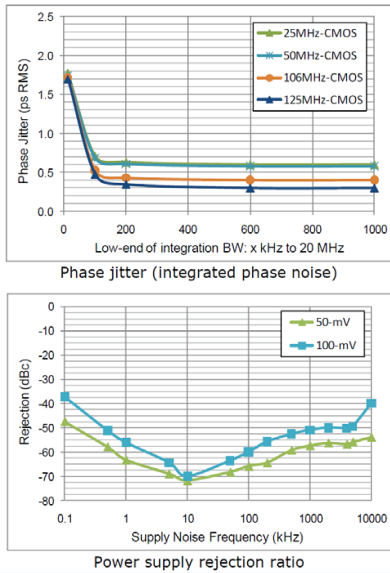
2.5 x 2.0 x 0.85 mm

ASDMP Series

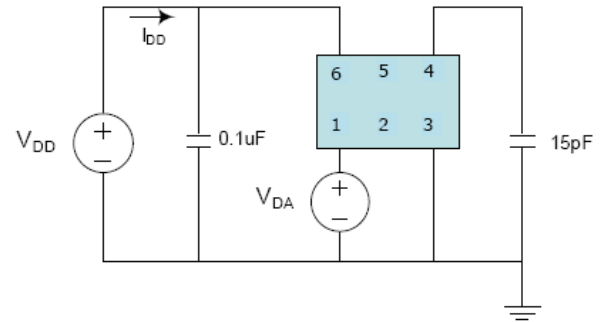


RoHS/RoHS II compliant

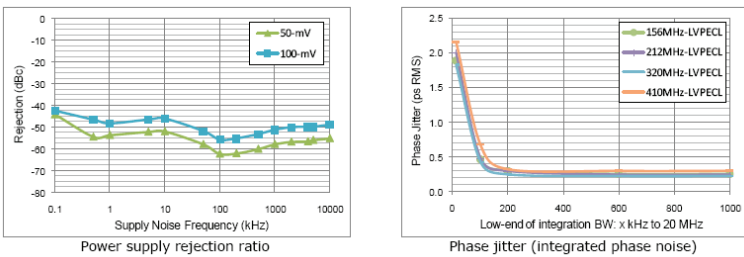
## CMOS OUTPUT:



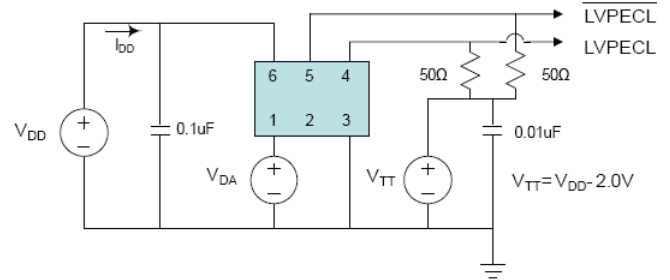
## TEST CIRCUIT:



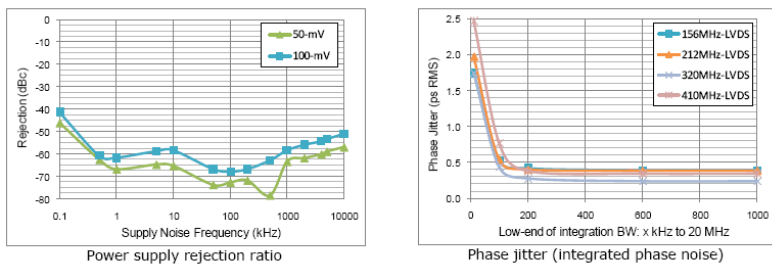
## LVPECL OUTPUT:



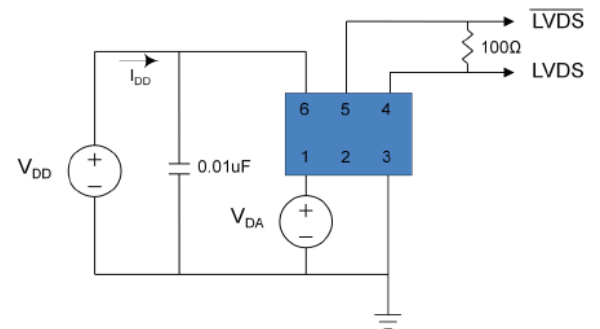
## TEST CIRCUIT:



## LVDS OUTPUT:



## TEST CIRCUIT:



ABRACON IS  
ISO 9001:2008  
CERTIFIED



2 Faraday, Suite# B | Irvine | CA 92618 Revised: 08.19.15  
Ph. 949.546.8000 | Fax. 949.546.8001

Visit [www.abracon.com](http://www.abracon.com) for Terms and Conditions of Sale

# PERFORMANCE PLASTIC PACKAGE ULTRA MINIATURE PURE SILICON™ CLOCK OSCILLATORS

ASDMP



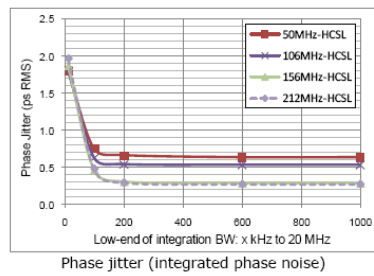
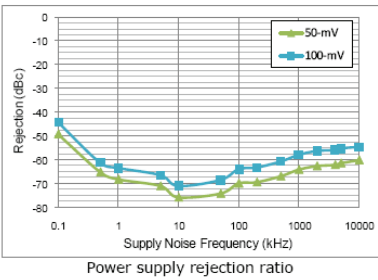
2.5 x 2.0 x 0.85 mm

ASDMP Series

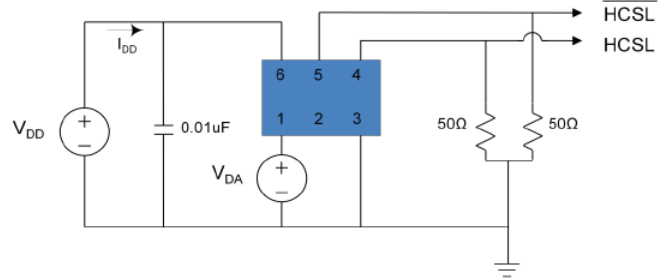


RoHS/RoHS II compliant

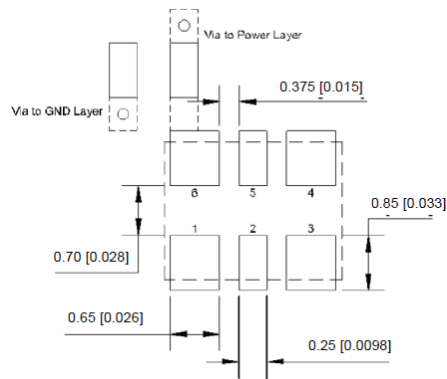
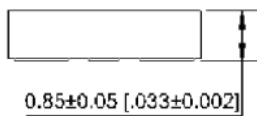
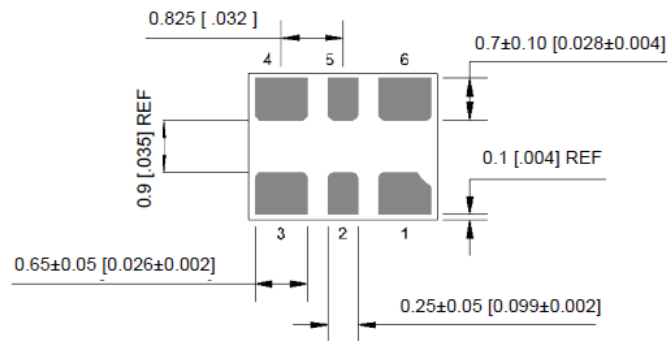
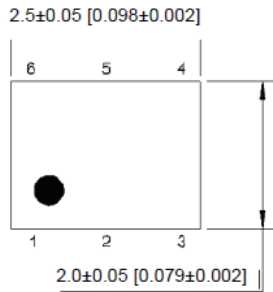
## HCSL OUTPUT:



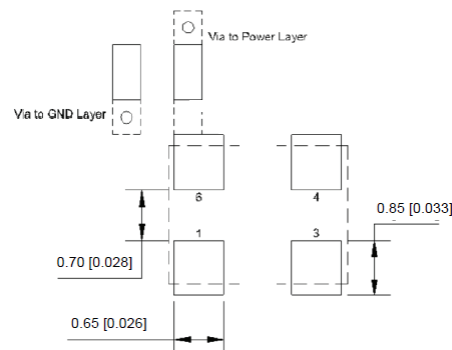
## TEST CIRCUIT:



## OUTLINE DRAWING:



Recommended Land Pattern for LVPECL, LVDS, HCSL



Recommended Land Pattern for CMOS

| Pin # | Function                                 |
|-------|--|
| 1     | Tri-state                                |
| 2     | NC                                       |
| 3     | GND                                      |
| 4     | Output                                   |
| 5     | NC (CMOS)<br>Output (LVPECL, LVDS, HCSL) |
| 6     | Vdd                                      |

Note: Recommend using an approximately 0.01uF bypass capacitor between PIN 6 and 3.

Dimensions: mm (inches)

# PERFORMANCE PLASTIC PACKAGE ULTRA MINIATURE PURE SILICON™ CLOCK OSCILLATORS

ASDMP



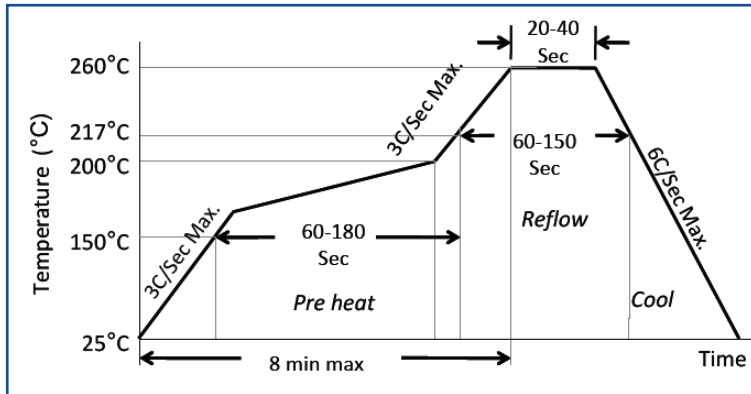
2.5 x 2.0 x 0.85 mm

ASDMP Series



RoHS/RoHS II compliant

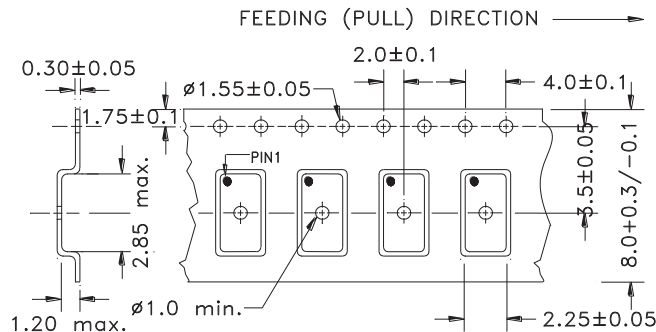
## REFLOW PROFILE:



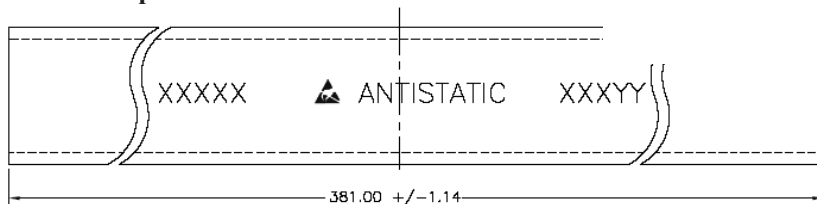
|                                   |              |
|-----------------------------------|--------------|
| Ramp-Up Rate (200°C to Peak Temp) | 3°C/Sec Max. |
| Preheat Time 150°C to 200°C       | 60-180 Sec   |
| Time maintained above 217°C       | 60-150 Sec   |
| Peak Temperature                  | 255-260°C    |
| Time within 5°C of actual Peak    | 20-40 Sec    |
| Ramp-Down Rate                    | 6°C/Sec Max. |
| Time 25°C to Peak Temperature     | 8 min Max.   |

## TAPE & REEL:

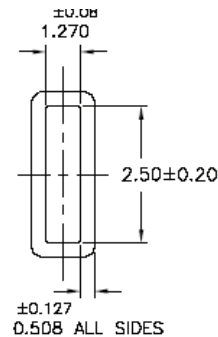
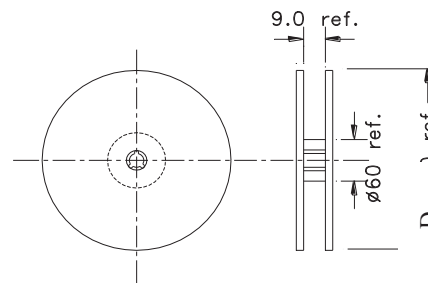
T= 1,000pcs/reel (D=180mm)  
T3= 3,000pcs/reel (D=180mm)  
T5= 5,000pcs/reel (D=330mm)  
T10= 10,000pcs/reel (D=330mm)



Tube: 140 pcs/tube



Unit orientation in tube:



Dimensions: mm

**ATTENTION:** Abracon Corporation's products are COTS – Commercial-Off-The-Shelf products; suitable for Commercial, Industrial and, where designated, Automotive Applications. Abracon's products are not specifically designed for Military, Aviation, Aerospace, Life-dependant Medical applications or any application requiring high reliability where component failure could result in loss of life and/or property. For applications requiring high reliability and/or presenting an extreme operating environment, written consent and authorization from Abracon Corporation is required. Please contact Abracon Corporation for more information.

ABRACON IS  
ISO 9001:2008  
CERTIFIED



2 Faraday, Suite# B | Irvine | CA 92618 Revised: 08.19.15  
Ph. 949.546.8000 | Fax. 949.546.8001  
Visit [www.abracon.com](http://www.abracon.com) for Terms and Conditions of Sale