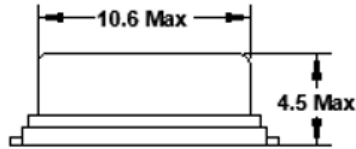
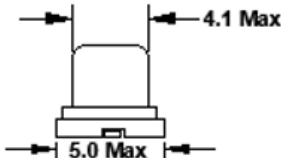
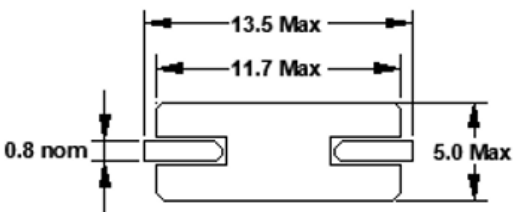
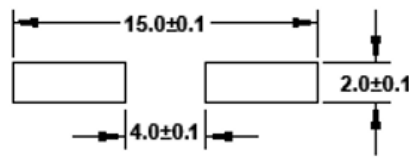


Features

- Tolerances down to ± 10 ppm
- Stabilities down to ± 5 ppm
- Operating Temperature Range to $-55^{\circ}\text{C} \sim +125^{\circ}\text{C}$

STANDARD SPECIFICATIONS	
PARAMETERS	MAX (Unless otherwise noted)
Frequency Range	3.200 ~ 80.000 MHz
Frequency Tolerance @ 25°C	(See options below)
Frequency Stability, ref 25°C	
Over Operating Temp Range	(See options below)
Temperature Range	
Operating (T_{OPR})	(See options below)
Storage (T_{STG})	$-55^{\circ}\text{C} \sim +125^{\circ}\text{C}$
Shunt Capacitance (C_0)	7 pF
Load Capacitance (C_L)	(See options below)
Drive Level	0.5mW (100 μ W Typical)
Aging per year (@ 25°C)	± 3 PPM
Maximum Soldering Temp / Time	260°C / 10 Seconds x 2
Moisture Sensitivity Level (MSL) per J-STD-033	1
Termination Finish	Sn/Ag3.0/Cu0.5
Seal Method	Resistance Weld
Lead (Pb) Free	Yes
RoHS Compliant	Yes-No Exemptions

Frequency Range (MHz)	Operating Mode	Max ESR Ω
3.200 ~ 3.500	Fundamental	300
>3.500 ~ 4.000	Fundamental	200
>4.000 ~ 5.000	Fundamental	150
>5.000 ~ 6.000	Fundamental	120
>6.000 ~ 7.000	Fundamental	100
>7.000 ~ 9.000	Fundamental	80
>9.000 ~ 13.000	Fundamental	60
>13.000 ~ 20.000	Fundamental	40
>20.000 ~ 40.000	Fundamental	30
24.000 ~ 70.000	3rd OT	100
>70.000 ~ 80.000	3rd OT	70

DIMENSIONS / MECHANICAL SPECIFICATIONS



<p style="text-align: center;">Recommended Solder Pad Layout</p>  <p style="text-align: center;">Dimensions are in millimeters.</p>
<p>Note: Dimensional drawing is for reference to critical specifications defined by size measurements. Certain non-critical visual attributes, such as side castellations, etc. may vary.</p>

AVAILABLE OPERATING TEMPERATURES AND STABILITIES*

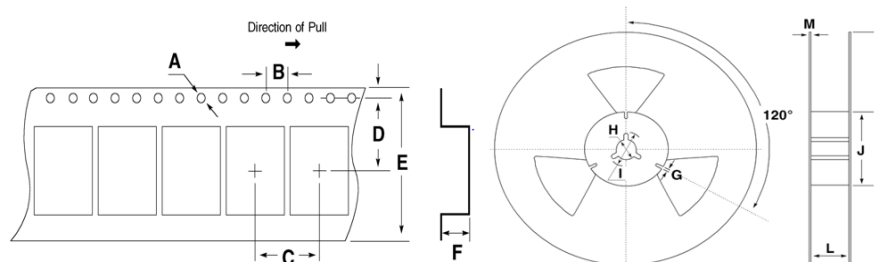
Operating Temperature	±5 PPM	±10 PPM	±15 PPM	±20 PPM	±25 PPM	±30 PPM	±50 PPM	±100 PPM
-10°C to+60°C	O	O	O	O	O	O	O	O
-20°C to +70°C	Δ	O	O	O	O	O	O	O
-40°C to +85°C	X	X	O	O	O	O	O	O
-40°C to+105°C	X	X	X	X	X	Δ	O	O
-40°C to+125°C	X	X	X	X	X	X	Δ	O
-55°C to+125°C	X	X	X	X	X	X	Δ	O

Key: O = Available, X = Not Available, Δ = Consult Fox Technical Support *Does not imply a stocked part.

TAPE SPECIFICATIONS (mm)

REEL SPECIFICATIONS (mm)

A	B	C	D	E	F	REEL QTY	G	H	I	J	K	L	M
ø1.55	4.0	12.0	11.5	24.0	4.8	-T1 = 1,000	2.0	ø13	ø21	ø80	ø330	25.5	2.0



Available Options & Part Identification for Crystal Model C4SD¹

Sample PN: **FC4SDCBMF25.0-T1**

F	C4SD	C	B	M	F	25.0	-T1
Fox	Model Number	Tolerance B = ±50ppm C = ±30ppm D = ±25ppm E = ±20ppm F = ±15ppm H = ±10ppm	Stability A = ±100 ppm B = ±50 ppm C = ±30 ppm D = ±25 ppm E = ±20 ppm F = ±15 ppm H = ±10 ppm L = ±5 ppm	Load Capacitance² A = Series E = 10pF G = 12pF J = 15pF K = 16pF L = 18pF M = 20pF	Operating Temperature D = -10 to +60°C F = -20 to +70°C M = -40 to +85°C P = -40 to +105°C I = -40 to +125°C T = -55 to +125°C	Frequency (MHz)	Values Added Options Blank = Bulk T1 = 1,000 pcs

1 Not all frequency, tolerance, stability, load, and operating temperature combinations may be available.

2 Listed load capacitances represent the most commonly used. Other load capacitances are available. Contact us for assistance

Reliability Test Conditions

Please contact Abracon Quality Assurance department