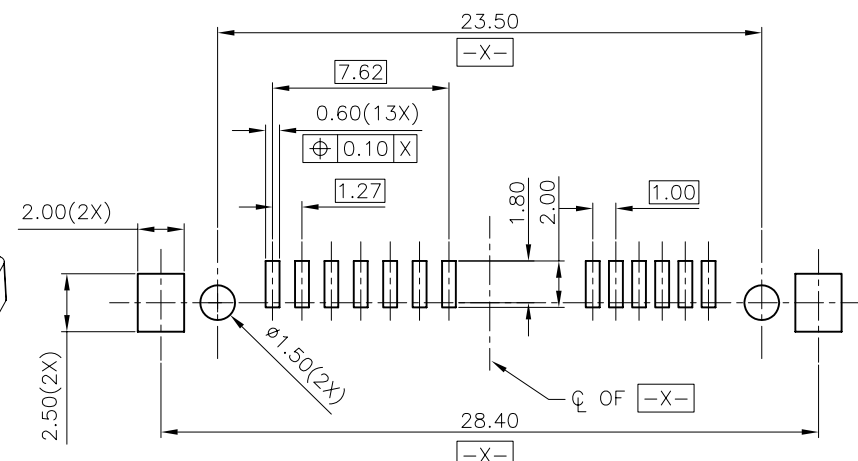
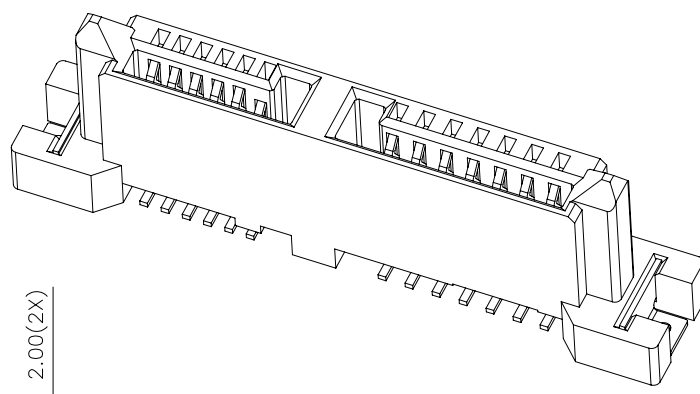
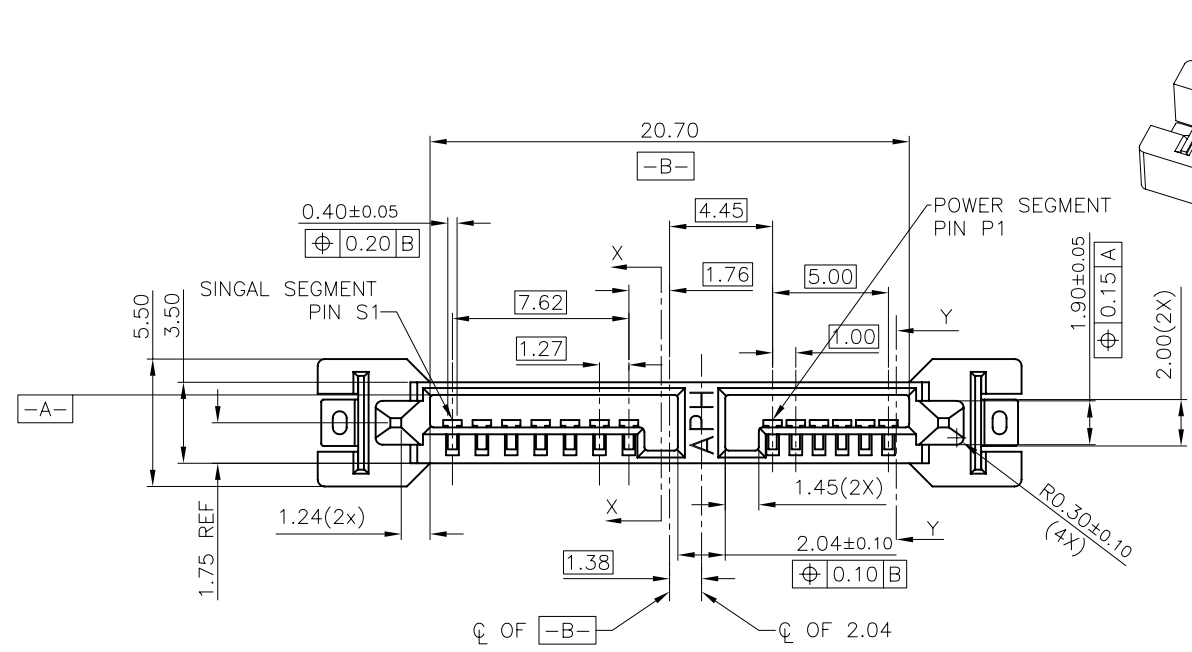


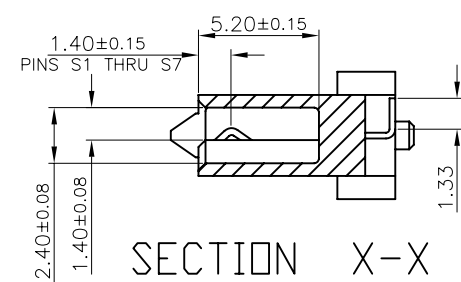
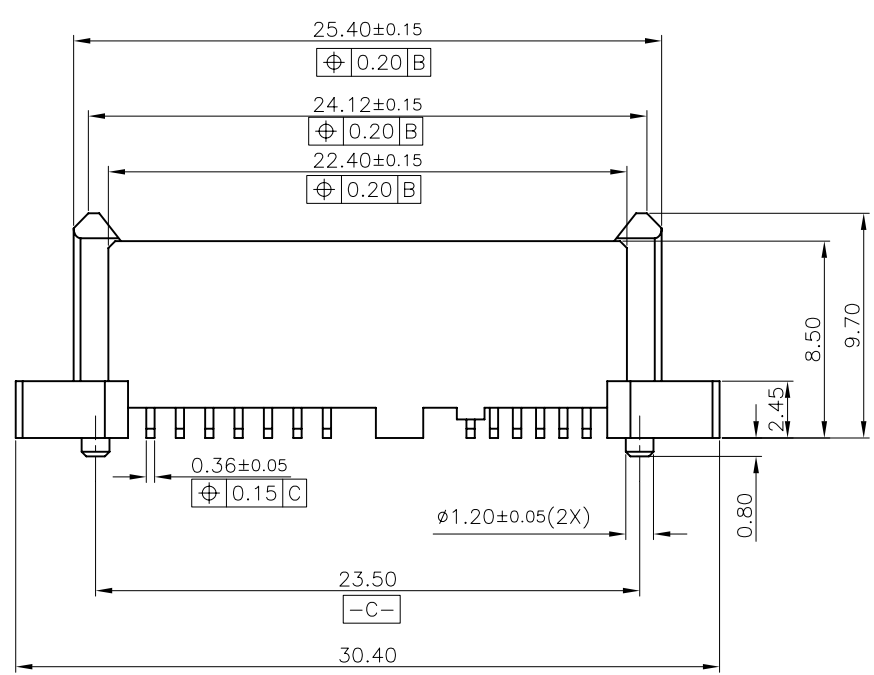
This document is the property of Amphenol Corporation and is delivered on the express condition that it is not to be disclosed, reproduced or used, in whole or in part, for manufacture or sale by anyone other than Amphenol Corporation without its prior consent, & that no right is granted to disclose or to use any information in this document.

# CUSTOMER DRAWING

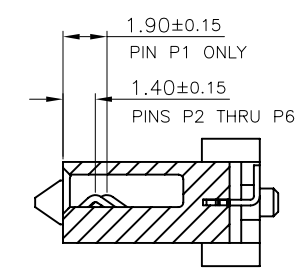
REVISIONS				
SYM	ECN	DESCRIPTION	DATE	APPROVED
A	HK4785	RELEASED TO CUSTOMER	11/13/07	IP



RECOMMENDED PCB LAYOUT  
TOLERANCE: ±0.05mm



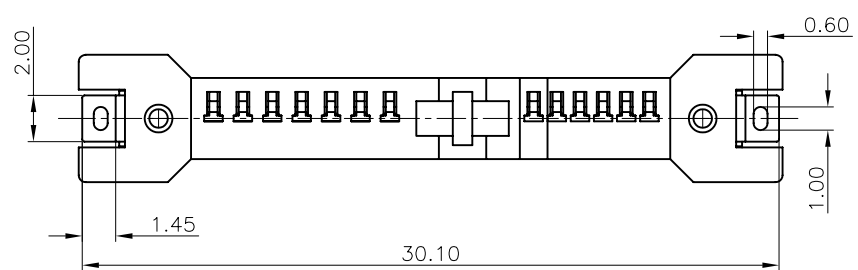
SECTION X-X



SECTION Y-Y

- NOTE:
- MATERIAL: HOUSING: HIGH TEMPERATURE THERMAL PLASTIC, UL94V-0 BLACK  
TERMINAL: COPPER ALLOY, THICKNESS=0.25MM  
SOLDER TAB: ALLOY, T=0.25mm;
  - PLATING: CONTACT AREA: SEE P/N SYSTEM  
SOLDERTAIL: TIN PLATING  
UNDERPLATE: NICKEL PLATING
  - PACKING: TRAY
  - MATERIAL SHOULD BE FULFILLED AMPHENOL SPEC, SSN2002
  - P/N SYSTEM:  
SSATA-101-0102-X-X

PACKING CODE: 1: 0.76um Au PLATING ON CONTACT AREA;  
1: TRAY; 2: 0.38um Au PLATING ON CONTACT AREA;  
2: TAPE AND REEL 3: GOLD FLASH ON CONTACT AREA.



UNLESS OTHERWISE SPECIFIED TOLERANCES		APPROVAL		DATE	Amphenol
U.S.	METRIC	DRAWN	Maya.Lu	11/13/07	
0.0	+/-	0.30	CHECKED	Tom.Tang	11/13/07
0.00	+/-	0.15	CHECKED		
FRACTIONS +/-		DRAWING FILE :		TITLE	
ANGLES +/-		DRAWING(SATA)\CSSATA10101021X-A.DWG		SLIMLINE SATA REC CONNECTOR VERTICAL TYPE	
FOR MATERIALS AND FINISHES SEE NOTES		REMOVE SHARP EDGES		ANGLE OF PROJECTION	
DIMENSIONS		U.S.		INCHES	
(METRIC)		(MM)		SCALE	
				NONE	
				SHEET 1 OF 1	
				REV. A	
				SIZE A3	
				DRAWING NO. C SSATA-101-0102-X-X	