

| REVISIONS | | | |
|-----------|----------------------------|----------|-------|
| REV | DESCRIPTION, ECN, EAR NO. | DATE | APP'D |
| D | PRODUCT DRAWING (EAR14178) | JAN28/16 | K.L. |



AMPHENOL PART NUMBER: UE27-ASX4-XXX

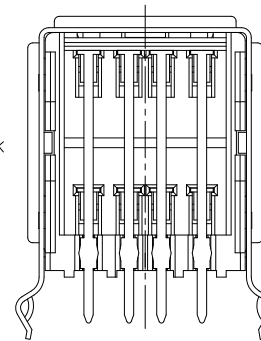
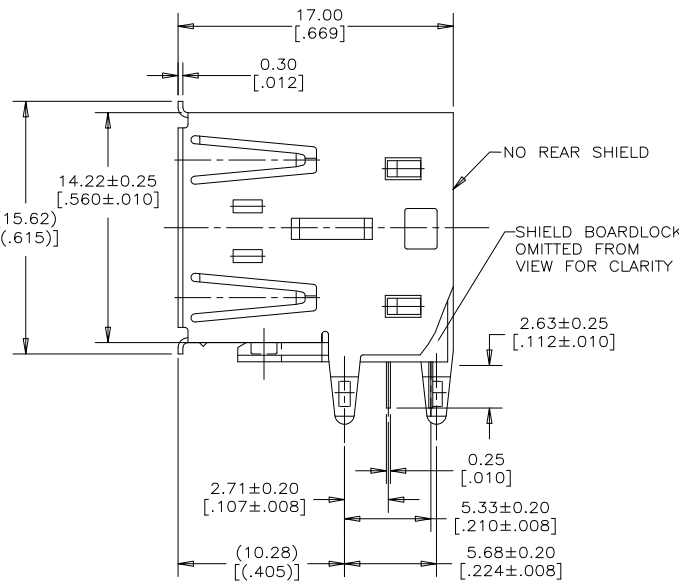
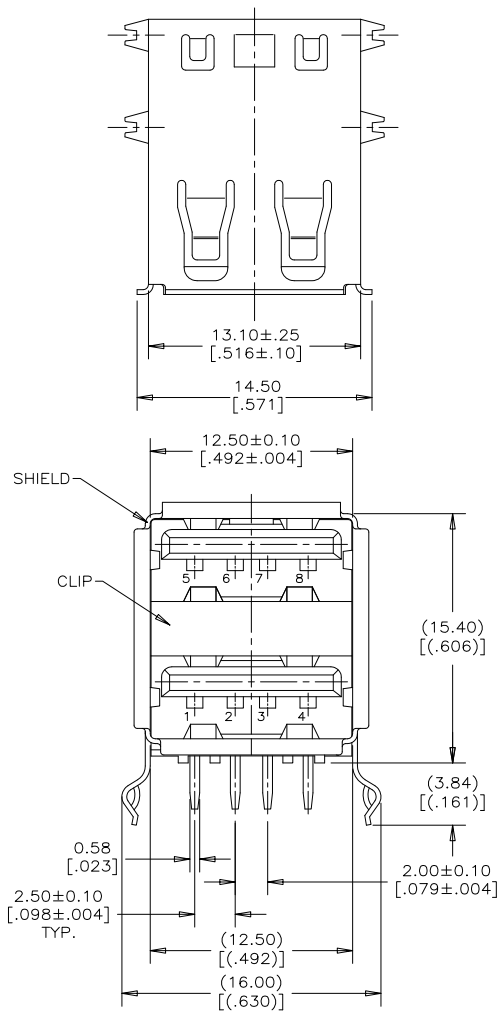
SERIES
UE27=RECEPTACLE

TYPE
A=SERIES A

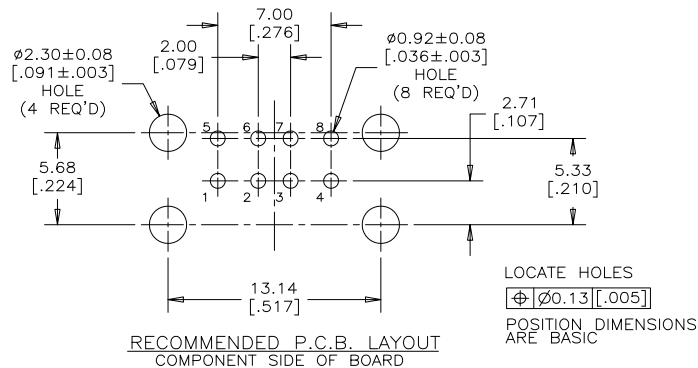
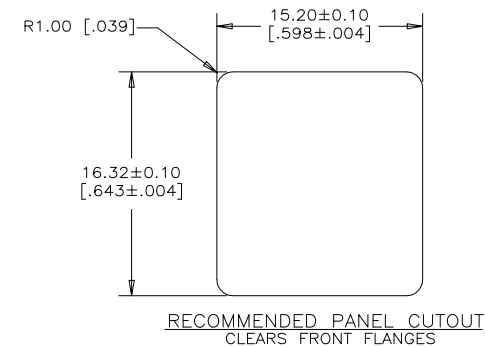
STYLE
S=STACKED RIGHT ANGLE PCB TAIL

CONTACT PLATING OPTION
 5=0.76µm [30µ"] GOLD OVER NICKEL ON CONTACT MATING AREA,
 2.54µm [100µ"] TIN PLATING ON CONTACT TAILS.
 7=GOLD FLASH OVER NICKEL ON CONTACT MATING AREA,
 2.54µm [100µ"] TIN PLATING ON CONTACT TAILS.

MODIFIER
 0=PBT HOUSING
 H=HIGH TEMP HOUSING (MAXIMUM
 TEMPERATURE RATING: 260°C FOR 10s)
 SHIELDING OPTION
 0=NO REAR SHIELD
 3=WITH REAR SHIELD (SEE SHEET 2)
 COLOUR:
 1=BLACK
 2=BEIGE (AVAILABLE FOR PBT HOUSING ONLY)
 NUMBER OF CONTACTS
 4=4 CONTACTS



SHIELDING OPTION #0
WITHOUT REAR SHIELD



NOTES:

- ALL MATERIALS ARE RoHS COMPLIANT PER EU DIRECTIVE 2011/65/EU.
 - HOUSING: ENGINEERING THERMOPLASTIC, FLAMMABILITY RATING UL94V-0, SEE PART NUMBER ORDERING CODE FOR OPTIONS.
- CONTACTS: COPPER ALLOY. SEE PART NUMBER ORDERING CODE FOR OPTIONS.
- SHIELD: COPPER ALLOY, NICKEL PLATED
- REAR SHIELD: STEEL, NICKEL PLATED
- ELECTRICAL SPECIFICATIONS:
 - CURRENT RATING: 1.5A @ 250V AC
 - CONTACT RESISTANCE: 30 MILLIOHMS MAX.
 - DIELECTRIC WITHSTANDING VOLTAGE: 500V AC
- OPERATING TEMPERATURE: -40°C TO +85°C
- DURABILITY: 1500 MATING CYCLES

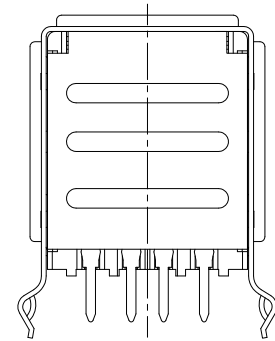
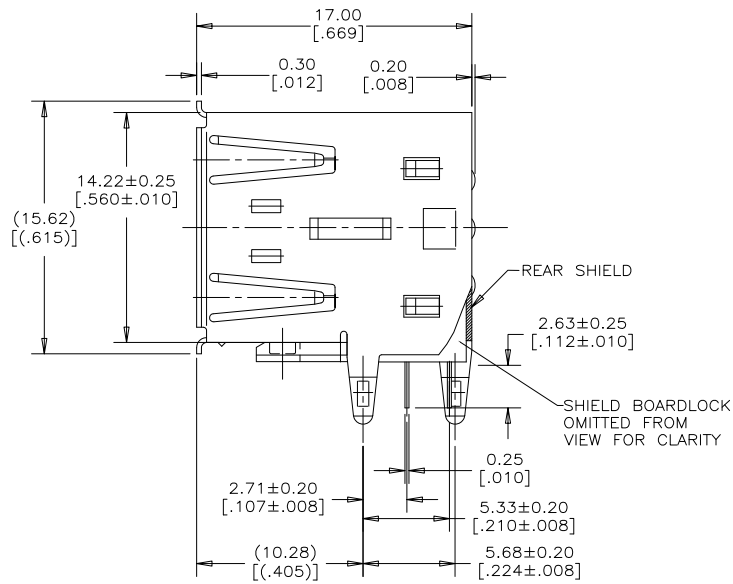
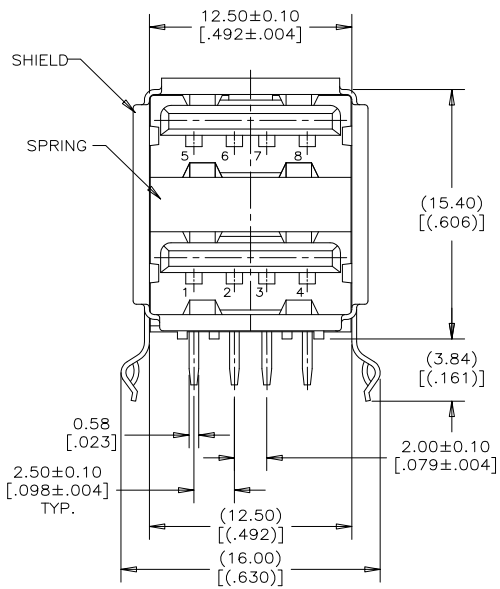
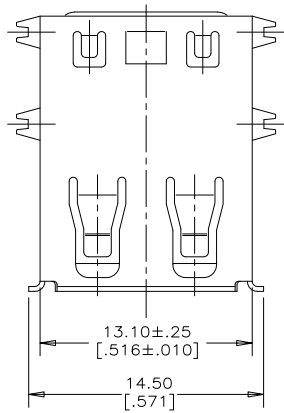
| | | | |
|----------------------------|------------------------|-----------|----------|
| UNLESS SPECIFIED OTHERWISE | DRAWN | CHIGOW XU | 05/12/05 |
| PRIMARY UNITS MILLIMETERS | CHECKED | L CHAN | 05/12/05 |
| SECONDARY INCHES | M.E. APP'D | | |
| REFERENCE IN PARENTHESES | Q.A. APP'D | | |
| GENERAL TOLERANCES | DWG APP'D | | |
| 1 DECIMAL PLACE | ENG. REL. NO. | EAR 12884 | |
| 2 DECIMAL PLACES ±0.25 | REF. | | |
| 3 DECIMAL PLACES | THIRD ANGLE PROJECTION | | |
| ANGULAR DEGREES | DO NOT SCALE DRAWING | | |

Amphenol Canada Corp.
www.amphenolcanada.com

UE27 SERIES USB RECEPTACLE,
SERIES A, STACKED RIGHT ANGLE
PCB TAIL, RoHS COMPLIANT

| | |
|-------------------|--------------|
| DWG NO. | REV |
| P-UE27-ASX4-XXX | D |
| CODE ID NO. 03554 | DWG SIZE X |
| SCALE 4:1 | SHEET 1 OF 2 |

| REVISIONS | | | |
|-----------|----------------------------|----------|-------|
| REV | DESCRIPTION, ECN, EAR NO. | DATE | APP'D |
| D | PRODUCT DRAWING (EAR14178) | JAN28/16 | K.L. |



SHIELDING OPTION #3
WITH REAR SHIELD



THIS DOCUMENT CONTAINS PROPRIETARY INFORMATION AND SUCH INFORMATION MAY NOT BE DISCLOSED TO OTHERS FOR ANY PURPOSE OR USED FOR MANUFACTURING PURPOSES WITHOUT WRITTEN PERMISSION FROM AMPHENOL CANADA CORP.

| | | |
|----------------------------|-------------------------|----------------------|
| UNLESS SPECIFIED OTHERWISE | DRAWN CHIGOW XU | 05/12/05 |
| PRIMARY UNITS MILLIMETERS | CHECKED L CHAN | 05/12/05 |
| SECONDARY INCHES | M.E. APP'D | |
| REFERENCE IN PARENTHESES | Q.A. APP'D | |
| GENERAL TOLERANCES | DWG APP'D | |
| 1 DECIMAL PLACE | ENG. REL. NO. EAR 12884 | |
| 2 DECIMAL PLACES ±0.25 | REF. | |
| 3 DECIMAL PLACES | THIRD ANGLE PROJECTION | DO NOT SCALE DRAWING |
| ANGULAR DEGREES | | |

Amphenol Canada Corp.
www.amphenolcanada.com

UE27 SERIES USB RECEPTACLE,
SERIES A, STACKED RIGHT ANGLE
PCB TAIL, RoHS COMPLIANT

| | | | |
|-------------------|------------|-----------|--------------|
| DWG NO. | REV | | |
| P-UE27-ASX4-XXX | D | | |
| CODE ID NO. Q3554 | DWG SIZE X | SCALE 4:1 | SHEET 2 OF 2 |