

1 2 3 4 5 6

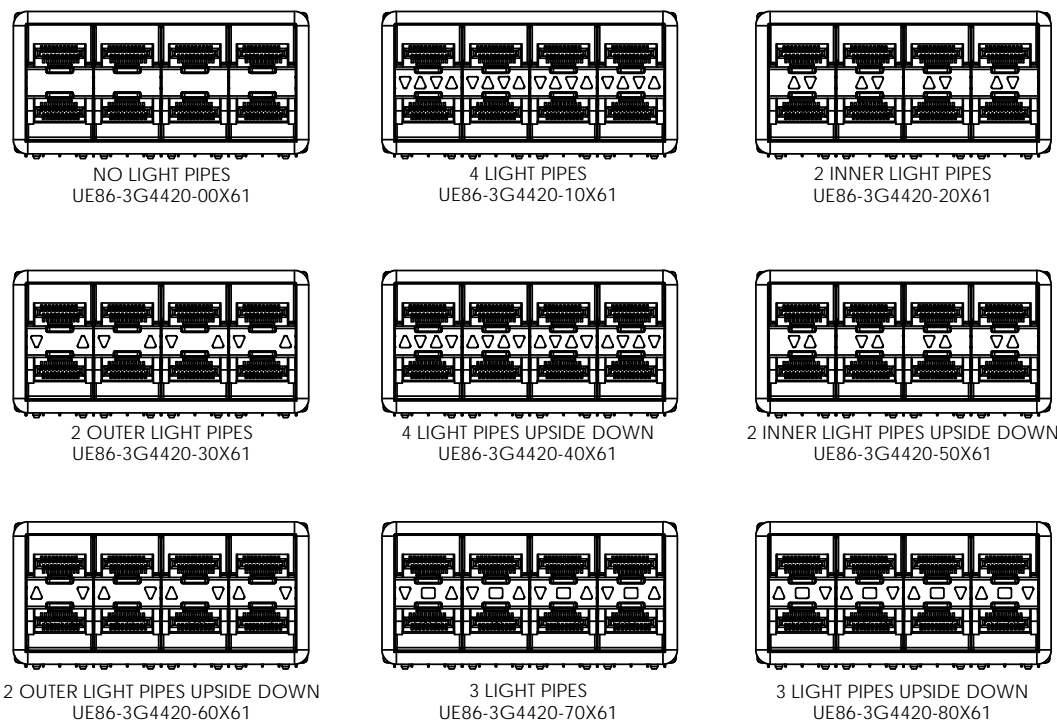
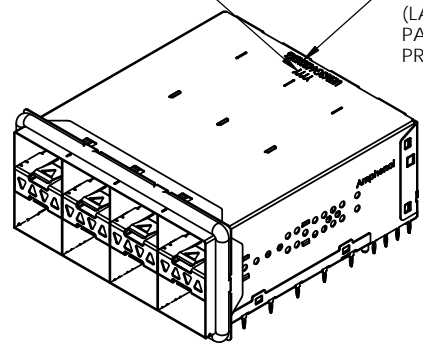
AMPHENOL PART NUMBER CONFIGURATION
 UE86-3G4420-X0X61

- LIGHT PIPE OPTION**
 0 - NO LIGHT PIPE
 1 - 4 LP PER 2X1, NORMAL ORIENTATION
 2 - 2 INNER LP PER 2X1, NORMAL ORIENTATION
 3 - 2 OUTER LP PER 2X1, NORMAL ORIENTATION
 4 - 4 LP PER 2X1, REVERSING ORIENTATION
 5 - 2 INNER LP PER 2X1, REVERSING ORIENTATION
 6 - 2 OUTER LP PER 2X1, REVERSING ORIENTATION
 7 - 3 LP PER 2X1, 2 OUTER LP, NORMAL ORIENTATION
 8 - 3 LP PER 2X1, 2 OUTER LP, REVERSING ORIENTATION

- PACKAGING**
 1 - TRAY PACKAGING (STACKED)
- PLATING OPTIONS FOR CONNECTOR**
 2 - 30µ" GOLD PLATING ON MATING AREA
 15-100µ" MATTE TIN ON TERMINATION
 3 - 30µ" GOLD PLATING ON MATING AREA
 150-300µ" MATTE TIN ON TERMINATION
 5 - 15µ" GOLD PLATING ON MATING AREA
 15-100µ" MATTE TIN ON TERMINATION
 6 - 15µ" GOLD PLATING ON MATING AREA
 150-300µ" MATTE TIN ON TERMINATION

REVISIONS				
REV.	ECN NO.	DESCRIPTION	DATE	APPROVED
B		CONFIGURATION VIEWS UPDATE	NOV 07/13	J. SI
C		UPDATE PLATING OPTIONS	JUN 25/14	J.SI
D		UPDATE NOTES	AUG 19/14	J.SI

DATE CODE
 PART NUMBER (LAST DIGIT INDICATING PACKAGING TYPE, NOT PRINTED ON THE PART)



MATERIAL: (RoHS COMPLIANT)

- CAGE - PRESS FIT: COPPER ALLOY (NICKEL SILVER)
- CONNECTOR - PRESS FIT:
 - PLASTIC HOUSING: LCP, FLAMMABILITY RATING UL94-V0
 - CONTACTS: PHOSPHOR BRONZE
- LIGHT PIPE: CLEAR POLYCARBONATE, FLAMMABILITY RATING UL94-V0
- PACKAGING: TRAY PACKAGING
- TEMPERATURE RANGE: -40°C TO +85°C
- EMI GASKET: CONDUCTIVE ELASTOMER UL94-V0



THIS DOCUMENT CONTAINS PROPRIETARY INFORMATION AND SUCH INFORMATION MAY NOT BE DISCLOSED TO OTHERS FOR ANY PURPOSE OR USED FOR MANUFACTURING PURPOSES WITHOUT WRITTEN PERMISSION FROM AMPHENOL CANADA CORP.

UNLESS SPECIFIED OTHERWISE	DRAWN	P. OU	SEP 03/13
DIMENSIONS ARE IN MILLIMETERS	CHECKED	J. SI	SEP 06/13
REFERENCE IN PARENTHESES	M.E. APP'D		
GENERAL TOLERANCES	Q.A. APP'D		
1 DECIMAL PLACE ±0.25	DWG APP'D	J. SI	SEP 06/13
2 DECIMAL PLACE ±0.15	MATERIAL AND FINISH	SEE NOTES	
3 DECIMAL PLACE N/A	REF.	ECN EXXXX	
ANGULAR DEGREES ±1°	THIRD ANGLE PROJECTION	DO NOT SCALE DRAWING	
ENG. REL. NO.			

Amphenol High Speed Interconnects
 A Division of Amphenol Corp. www.amphenolcanada.com

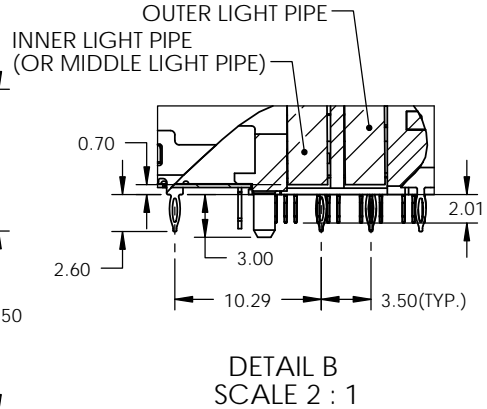
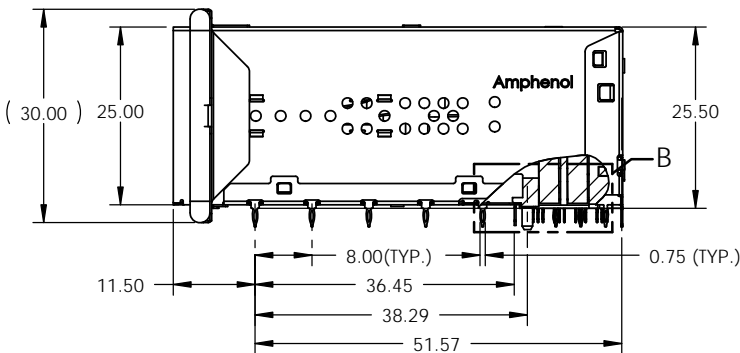
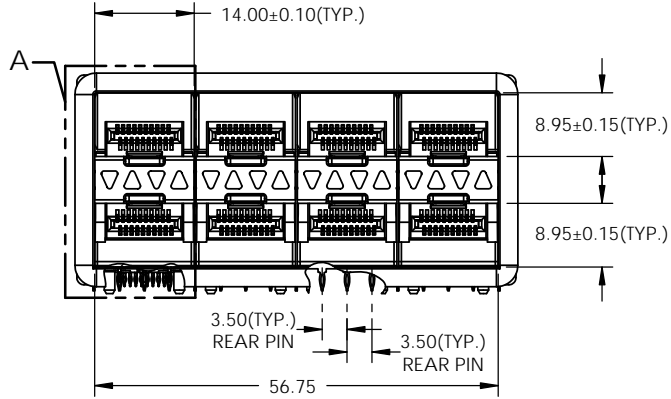
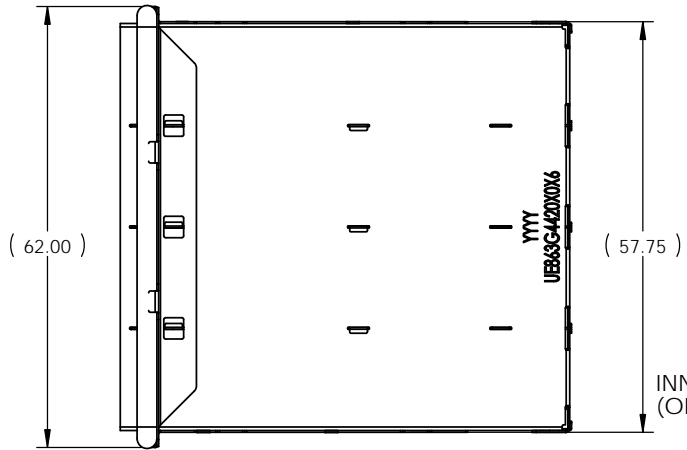
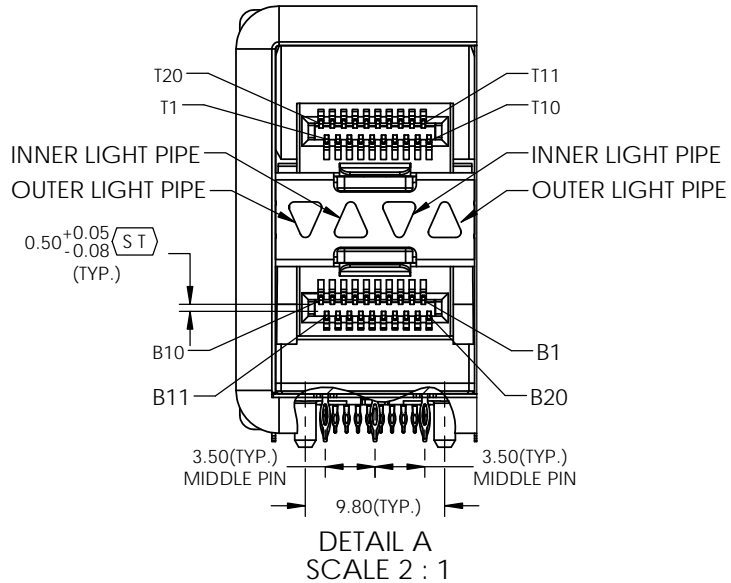
2X4 SFP ULTRAPORT WITH LIGHT PIPE OPTIONS AND EMI GASKET

DWG. NO. P-UE86-3G4420-X0X61 REV D

CODE ID NO. 03554 DWG SIZE: A4 SCALE: 2:3 SHEET 1 OF 5

1 2 3

REVISIONS				
REV.	ECN NO.	DESCRIPTION	DATE	APPROVED
B		CONFIGURATION VIEWS UPDATE	NOV 07/13	J. SI
C		UPDATE PLATING OPTIONS	JUN 25/14	J.SI
D		UPDATE NOTES	AUG 19/14	J.SI



THIS DOCUMENT CONTAINS PROPRIETARY INFORMATION AND SUCH INFORMATION MAY NOT BE DISCLOSED TO OTHERS FOR ANY PURPOSE OR USED FOR MANUFACTURING PURPOSES WITHOUT WRITTEN PERMISSION FROM AMPHENOL CANADA CORP.

UNLESS SPECIFIED OTHERWISE	DRAWN	P. OU	SEP 03/13
DIMENSIONS ARE IN MILLIMETERS	CHECKED	J. SI	SEP 06/13
REFERENCE IN PARENTHESES	M.E. APP'D		
GENERAL TOLERANCES	Q.A. APP'D		
1 DECIMAL PLACE ±0.25	DWG APP'D	J. SI	SEP 06/13
2 DECIMAL PLACE ±0.15	MATERIAL AND FINISH	SEE NOTES	
3 DECIMAL PLACE N/A	REF.	ECN Exxxx	
ANGULAR DEGREES ±1°	THIRD ANGLE PROJECTION		
ENG. REL. NO.	DO NOT SCALE DRAWING		

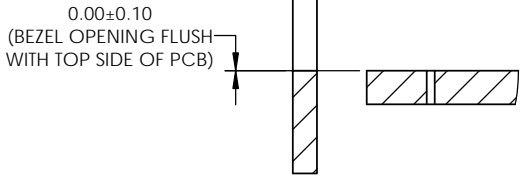
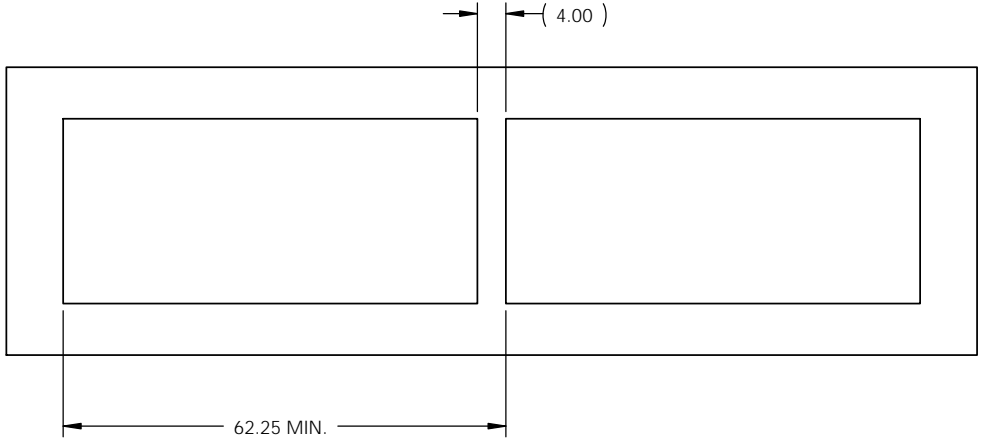
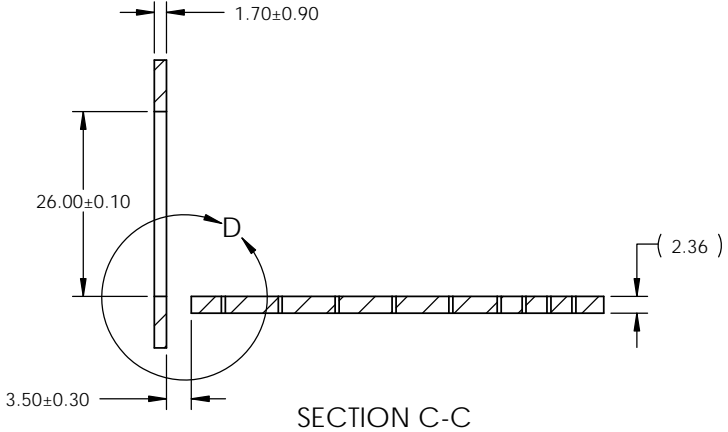
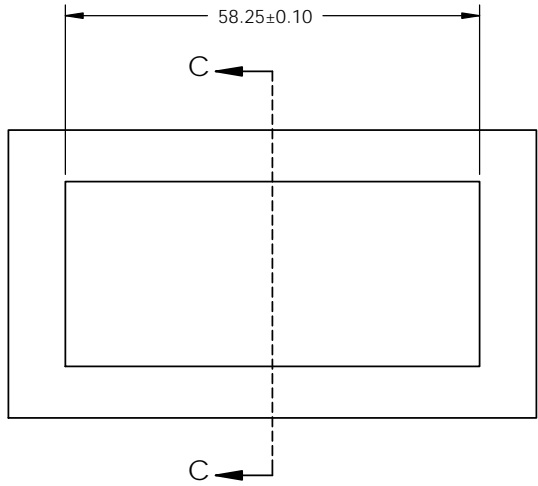
Amphenol High Speed Interconnects
A Division of Amphenol Corp. www.amphenolcanada.com

2X4 SFP ULTRAPORT WITH LIGHT PIPE OPTIONS AND EMI GASKET

DWG. NO. P-UE86-3G4420-X0X61 REV D

CODE ID NO. 03554 DWG SIZE: A4 SCALE: 1:1 SHEET 2 OF 5

REVISIONS				
REV.	ECN NO.	DESCRIPTION	DATE	APPROVED
B		CONFIGURATION VIEWS UPDATE	NOV 07/13	J. SI
C		UPDATE PLATING OPTIONS	JUN 25/14	J.SI
D		UPDATE NOTES	AUG 19/14	J.SI

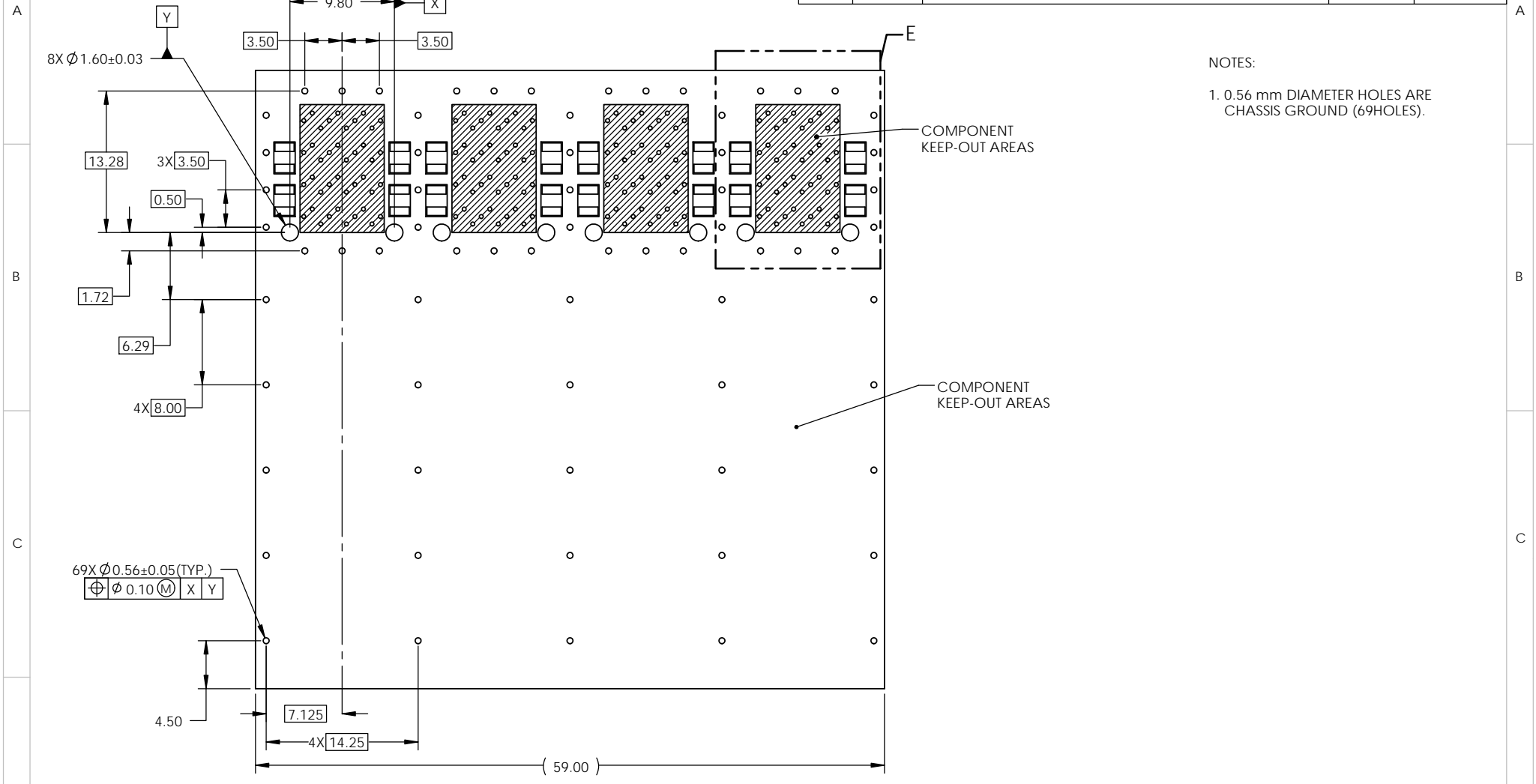


DETAIL D
SCALE 2 : 1

THIS DOCUMENT CONTAINS PROPRIETARY INFORMATION AND SUCH INFORMATION MAY NOT BE DISCLOSED TO OTHERS FOR ANY PURPOSE OR USED FOR MANUFACTURING PURPOSES WITHOUT WRITTEN PERMISSION FROM AMPHENOL CANADA CORP.

UNLESS SPECIFIED OTHERWISE DIMENSIONS ARE IN MILLIMETERS		DRAWN	P. OU	SEP 03/13	Amphenol High Speed Interconnects A Division of Amphenol Corp. www.amphenolcanada.com
REFERENCE IN PARENTHESES		CHECKED	J. SI	SEP 06/13	
GENERAL TOLERANCES		M.E. APP'D			
1 DECIMAL PLACE ±0.25		Q.A. APP'D			
2 DECIMAL PLACE ±0.15		DWG APP'D	J. SI	SEP 06/13	2X4 SFP ULTRAPORT WITH LIGHT PIPE OPTIONS AND EMI GASKET
3 DECIMAL PLACE N/A		MATERIAL AND FINISH	SEE NOTES		
ANGULAR DEGREES ±1°		REF.	ECN Exxxxx		DWG. NO.
ENG. REL. NO.		THIRD ANGLE PROJECTION	DO NOT SCALE DRAWING		P-UE86-3G4420-X0X61
					CODE ID NO. 03554 DWG SIZE: A4 SCALE: 1:1 SHEET 3 OF 5

REVISIONS				
REV.	ECN NO.	DESCRIPTION	DATE	APPROVED
B		CONFIGURATION VIEWS UPDATE	NOV 07/13	J. SI
C		UPDATE PLATING OPTIONS	JUN 25/14	J.SI
D		UPDATE NOTES	AUG 19/14	J.SI



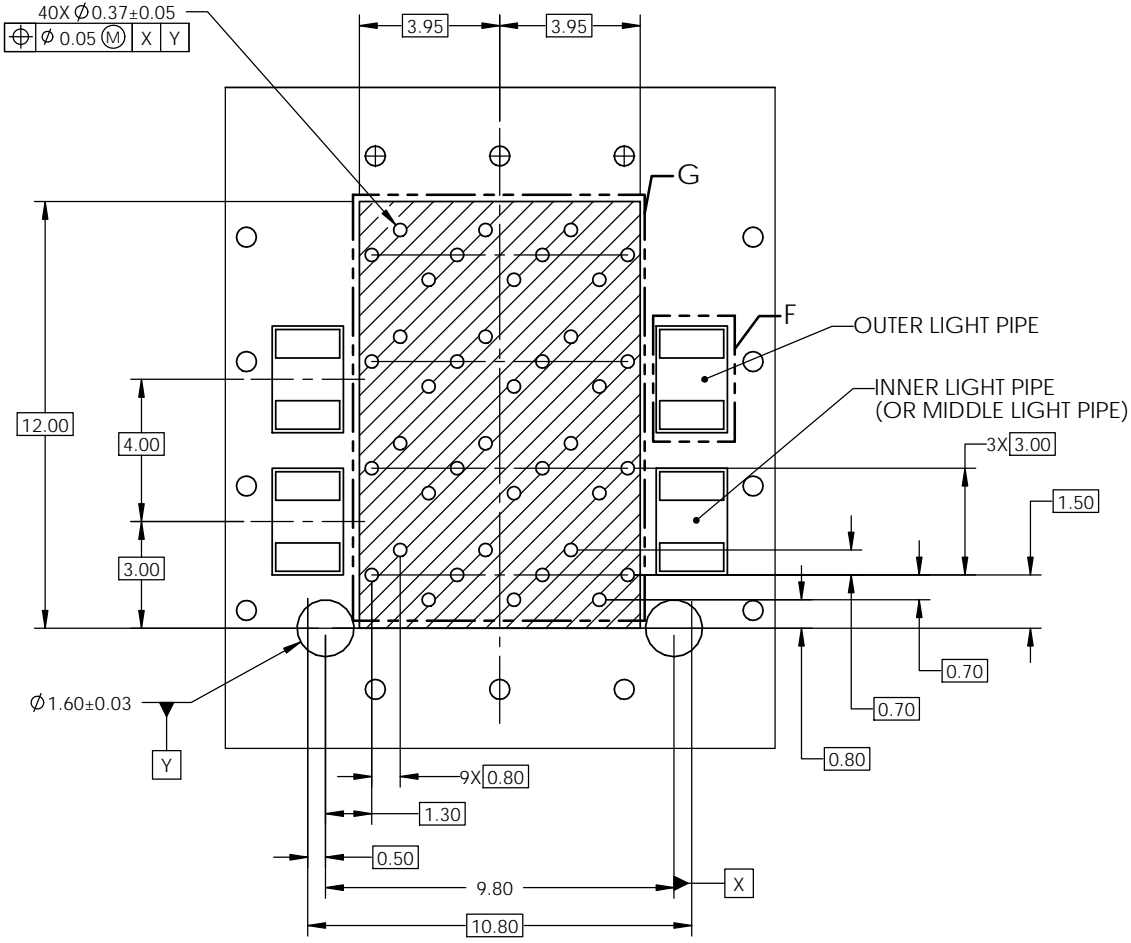
NOTES:
1. 0.56 mm DIAMETER HOLES ARE CHASSIS GROUND (69HOLES).

2X4 PCB LAYOUT

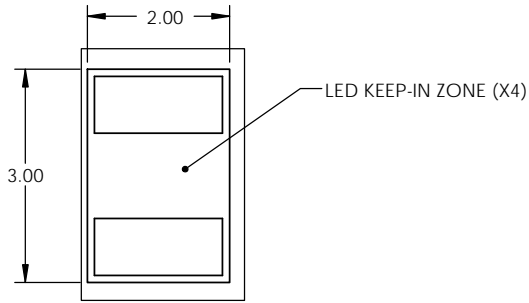
THIS DOCUMENT CONTAINS PROPRIETARY INFORMATION AND SUCH INFORMATION MAY NOT BE DISCLOSED TO OTHERS FOR ANY PURPOSE OR USED FOR MANUFACTURING PURPOSES WITHOUT WRITTEN PERMISSION FROM AMPHENOL CANADA CORP.

UNLESS SPECIFIED OTHERWISE DIMENSIONS ARE IN MILLIMETERS	DRAWN P. OU SEP 03/13	Amphenol High Speed Interconnects A Division of Amphenol Corp. www.amphenolcanada.com 2X4 SFP ULTRAPORT WITH LIGHT PIPE OPTIONS AND EMI GASKET	DWG. NO. P-UE86-3G4420-X0X61	REV D	
REFERENCE IN PARENTHESES	CHECKED J. SI SEP 06/13		CODE ID NO. 03554	DWG. SIZE: A4	SCALE: 2:1
GENERAL TOLERANCES	M.E. APP'D				
1 DECIMAL PLACE ± 0.25	Q.A. APP'D				
2 DECIMAL PLACE ± 0.15	DWG APP'D J. SI SEP 06/13				
3 DECIMAL PLACE N/A	MATERIAL AND FINISH SEE NOTES				
ANGULAR DEGREES $\pm 1^\circ$	REF. ECN Exxxxx				
ENG. REL. NO.	THIRD ANGLE PROJECTION	DO NOT SCALE DRAWING			

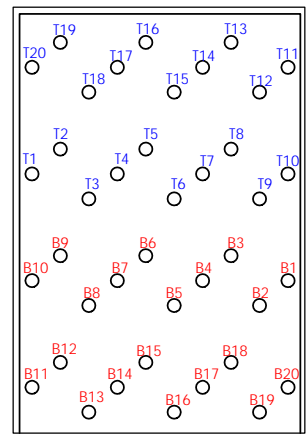
REVISIONS				
REV.	ECN NO.	DESCRIPTION	DATE	APPROVED
B		CONFIGURATION VIEWS UPDATE	NOV 07/13	J. SI
C		UPDATE PLATING OPTIONS	JUN 25/14	J.SI
D		UPDATE NOTES	AUG 19/14	J.SI



DETAIL E
SCALE 5 : 1



DETAIL F
SCALE 10 : 1



DETAIL G
SCALE 5 : 1

THIS DOCUMENT CONTAINS PROPRIETARY INFORMATION AND SUCH INFORMATION MAY NOT BE DISCLOSED TO OTHERS FOR ANY PURPOSE OR USED FOR MANUFACTURING PURPOSES WITHOUT WRITTEN PERMISSION FROM AMPHENOL CANADA CORP.

UNLESS SPECIFIED OTHERWISE	DRAWN	P. OU	SEP 03/13
DIMENSIONS ARE IN MILLIMETERS	CHECKED	J. SI	SEP 06/13
REFERENCE IN PARENTHESES	M.E. APP'D		
GENERAL TOLERANCES	Q.A. APP'D		
1 DECIMAL PLACE ±0.25	DWG APP'D	J. SI	SEP 06/13
2 DECIMAL PLACE ±0.15	MATERIAL AND FINISH	SEE NOTES	
3 DECIMAL PLACE N/A	REF.	ECN Exxxxx	
ANGULAR DEGREES ±1°	THIRD ANGLE PROJECTION	DO NOT SCALE DRAWING	
ENG. REL. NO.			

Amphenol High Speed Interconnects A Division of Amphenol Corp. www.amphenolcanada.com			
2X4 SFP ULTRAPORT WITH LIGHT PIPE OPTIONS AND EMI GASKET			
DWG. NO.	P-UE86-3G4420-X0X61		REV D
CODE ID NO.	03554	DWG SIZE: A4	SCALE: 2:1 SHEET 5 OF 5