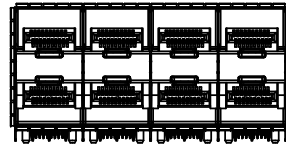
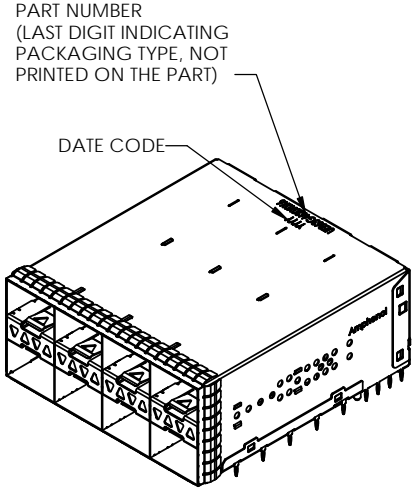


AMPHENOL PART NUMBER CONFIGURATION
UE86-3G4620-X0X61

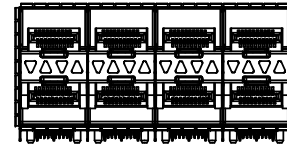
- LIGHT PIPE OPTION**
- 0 - NO LIGHT PIPE
 - 1 - 4 LP PER 2X1, NORMAL ORIENTATION
 - 2 - 2 INNER LP PER 2X1, NORMAL ORIENTATION
 - 3 - 2 OUTER LP PER 2X1, NORMAL ORIENTATION
 - 4 - 4 LP PER 2X1, REVERSING ORIENTATION
 - 5 - 2 INNER LP PER 2X1, REVERSING ORIENTATION
 - 6 - 2 OUTER LP PER 2X1, REVERSING ORIENTATION
 - 7 - 3 LP PER 2X1, 2 OUTER LP, NORMAL ORIENTATION
 - 8 - 3 LP PER 2X1, 2 OUTER LP, REVERSING ORIENTATION

- PACKAGING**
- 1 - TRAY PACKAGING (STACKED)
- PLATING OPTIONS FOR CONNECTOR**
- 2 - 30µ" GOLD PLATING ON MATING AREA
15-100µ" MATTE TIN ON TERMINATION
 - 3 - 30µ" GOLD PLATING ON MATING AREA
150-300µ" MATTE TIN ON TERMINATION
 - 5 - 15µ" GOLD PLATING ON MATING AREA
15-100µ" MATTE TIN ON TERMINATION
 - 6 - 15µ" GOLD PLATING ON MATING AREA
150-300µ" MATTE TIN ON TERMINATION

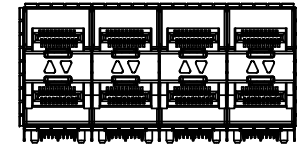
REVISIONS				
REV.	ECN	DESCRIPTION	DATE	APPROVED
A		PROPOSAL	FEB 07/14	J. SI
B		UPDATE PLATING OPTIONS	JUN 25/14	J.SI
C		UPDATE NOTES	AUG 19/14	J.SI



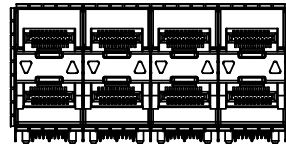
NO LIGHT PIPES
 UE86-3G4620-00X61



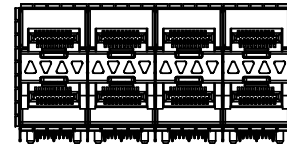
4 LIGHT PIPES
 UE86-3G4620-10X61



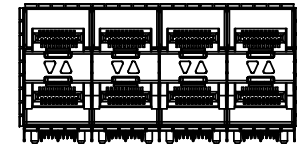
2 INNER LIGHT PIPES
 UE86-3G4620-20X61



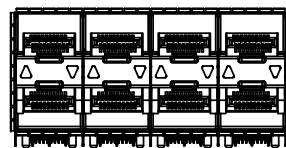
2 OUTER LIGHT PIPES
 UE86-3G4620-30X61



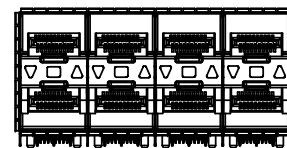
4 LIGHT PIPES UPSIDE DOWN
 UE86-3G4620-40X61



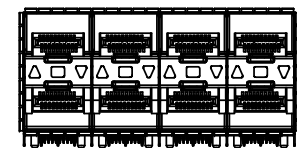
2 INNER LIGHT PIPES UPSIDE DOWN
 UE86-3G4620-50X61



2 OUTER LIGHT PIPES UPSIDE DOWN
 UE86-3G4620-60X61



3 LIGHT PIPES
 UE86-3G4620-70X61



3 LIGHT PIPES UPSIDE DOWN
 UE86-3G4620-80X61

MATERIAL: (RoHS COMPLIANT)

1. CAGE - PRESS FIT: COPPER ALLOY (NICKEL SILVER)
2. CONNECTOR - PRESS FIT:
 - PLASTIC HOUSING: LCP, FLAMMABILITY RATING UL94-V0
 - CONTACTS: PHOSPHOR BRONZE
3. LIGHT PIPE: CLEAR POLYCARBONATE, FLAMMABILITY RATING UL94-V0
4. PACKAGING: TRAY PACKAGING
5. TEMPERATURE RANGE: -40°C TO +85°C



THIS DOCUMENT CONTAINS PROPRIETARY INFORMATION AND SUCH INFORMATION MAY NOT BE DISCLOSED TO OTHERS FOR ANY PURPOSE OR USED FOR MANUFACTURING PURPOSES WITHOUT WRITTEN PERMISSION FROM AMPHENOL CANADA CORP.

UNLESS SPECIFIED OTHERWISE	DRAWN	P. OU	FEB 07/14
DIMENSIONS ARE IN MILLIMETERS	CHECKED	J. SI	FEB 07/14
REFERENCE IN PARENTHESES	M.E. APP'D		
GENERAL TOLERANCES	Q.A. APP'D		
1 DECIMAL PLACE ±0.25	DWG APP'D	J. SI	FEB 07/14
2 DECIMAL PLACE ±0.15	MATERIAL AND FINISH	SEE NOTES	
3 DECIMAL PLACE N/A	REF.	ECN Exxxxx	
ANGULAR DEGREES ±1°	THIRD ANGLE PROJECTION		
ENG. REL. NO.	DO NOT SCALE DRAWING		

Amphenol High Speed Interconnects
 A Division of Amphenol Corp. www.amphenolcanada.com

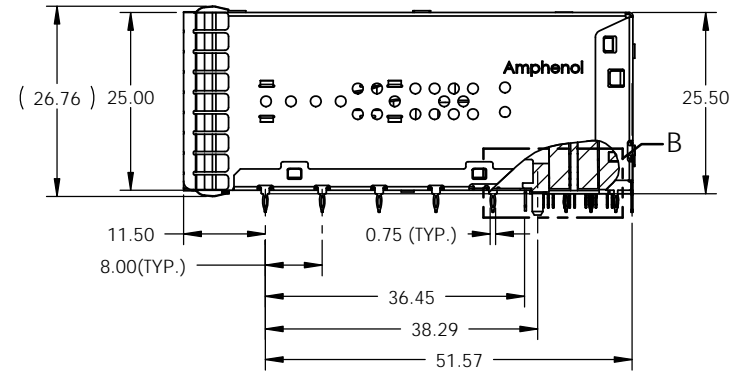
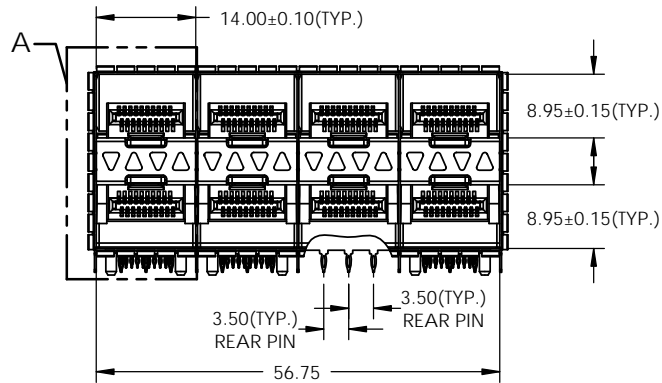
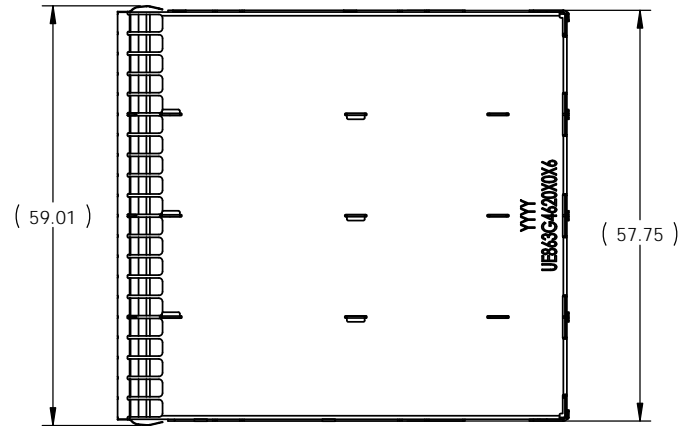
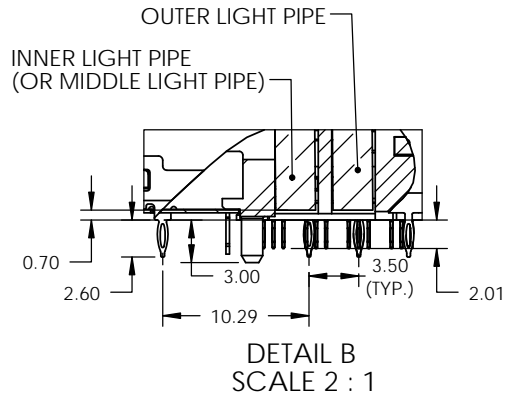
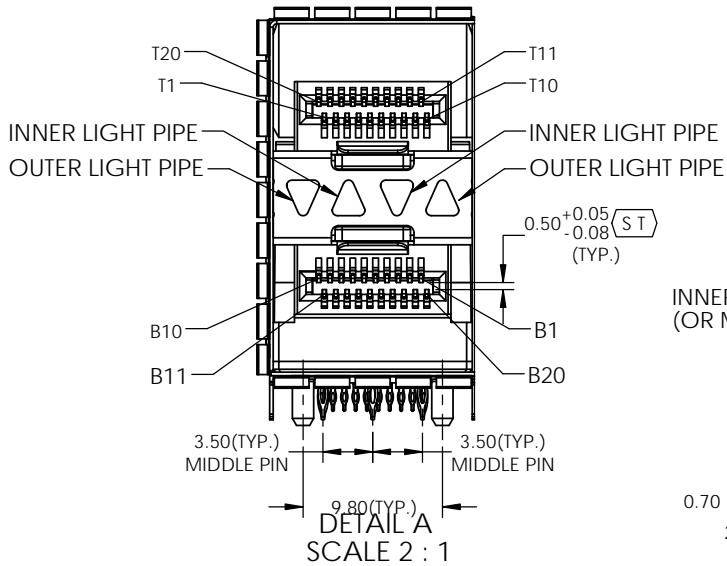
2X4 SFP ULTRAPORT WITH LIGHT PIPE OPTIONS AND EMI SPRING FINGER

DWG. NO. P-UE86-3G4620-X0X61

REV C

CODE ID NO. 03554 | DWG SIZE: A4 | SCALE: 2:3 | SHEET 1 OF 5

REVISIONS				
REV.	ECN	DESCRIPTION	DATE	APPROVED
A		PROPOSAL	FEB 07/14	J. SI
B		UPDATE PLATING OPTIONS	JUN 25/14	J.SI
C		UPDATE NOTES	AUG 19/14	J.SI



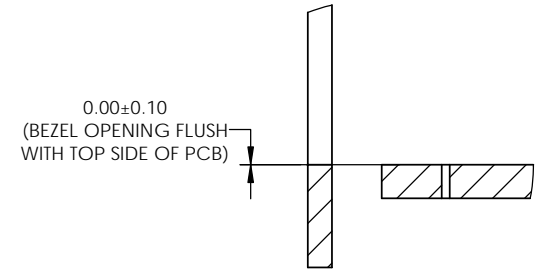
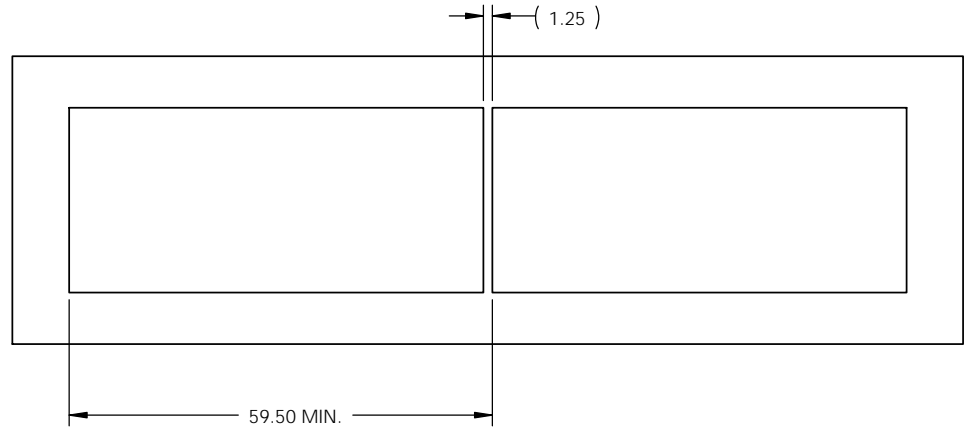
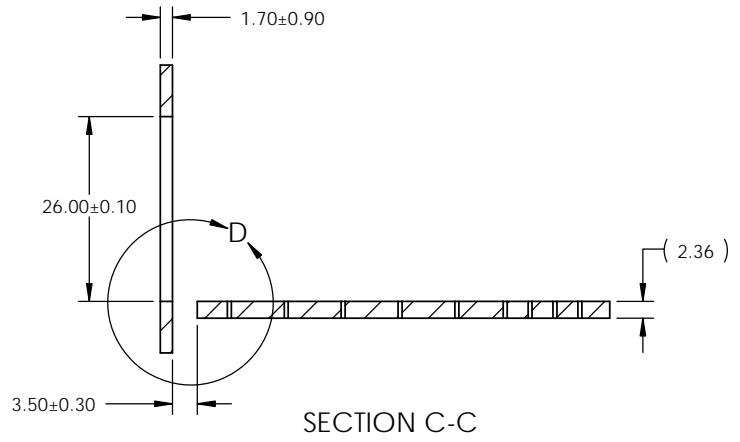
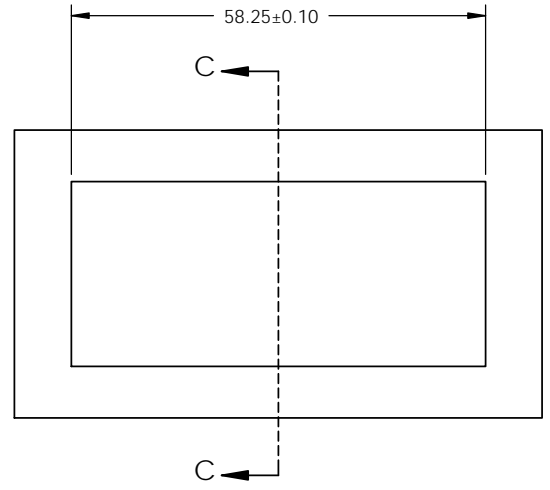
THIS DOCUMENT CONTAINS PROPRIETARY INFORMATION AND SUCH INFORMATION MAY NOT BE DISCLOSED TO OTHERS FOR ANY PURPOSE OR USED FOR MANUFACTURING PURPOSES WITHOUT WRITTEN PERMISSION FROM AMPHENOL CANADA CORP.

UNLESS SPECIFIED OTHERWISE DIMENSIONS ARE IN MILLIMETERS REFERENCE IN PARENTHESES GENERAL TOLERANCES	DRAWN P. OU CHECKED J. SI M.E. APP'D Q.A. APP'D DWG APP'D J. SI MATERIAL AND FINISH REF. ECN Exxxxx	FEB 07/14 FEB 07/14	Amphenol High Speed Interconnects A Division of Amphenol Corp. www.amphenolcanada.com 2X4 SFP ULTRAPORT WITH LIGHT PIPE OPTIONS AND EMI SPRING FINGER	DWG. NO.	REV	
1 DECIMAL PLACE ±0.25 2 DECIMAL PLACE ±0.15 3 DECIMAL PLACE N/A ANGULAR DEGREES ±1° ENG. REL. NO.	SEE NOTES THIRD ANGLE PROJECTION	FEB 07/14		P-UE86-3G4620-X061	C	
			CODE ID NO. 03554	DWG SIZE: A4	SCALE: 1:1	SHEET 2 OF 5

1 2 3 4 5 6

REVISIONS				
REV.	ECN	DESCRIPTION	DATE	APPROVED
A		PROPOSAL	FEB 07/14	J. SI
B		UPDATE PLATING OPTIONS	JUN 25/14	J.SI
C		UPDATE NOTES	AUG 19/14	J.SI

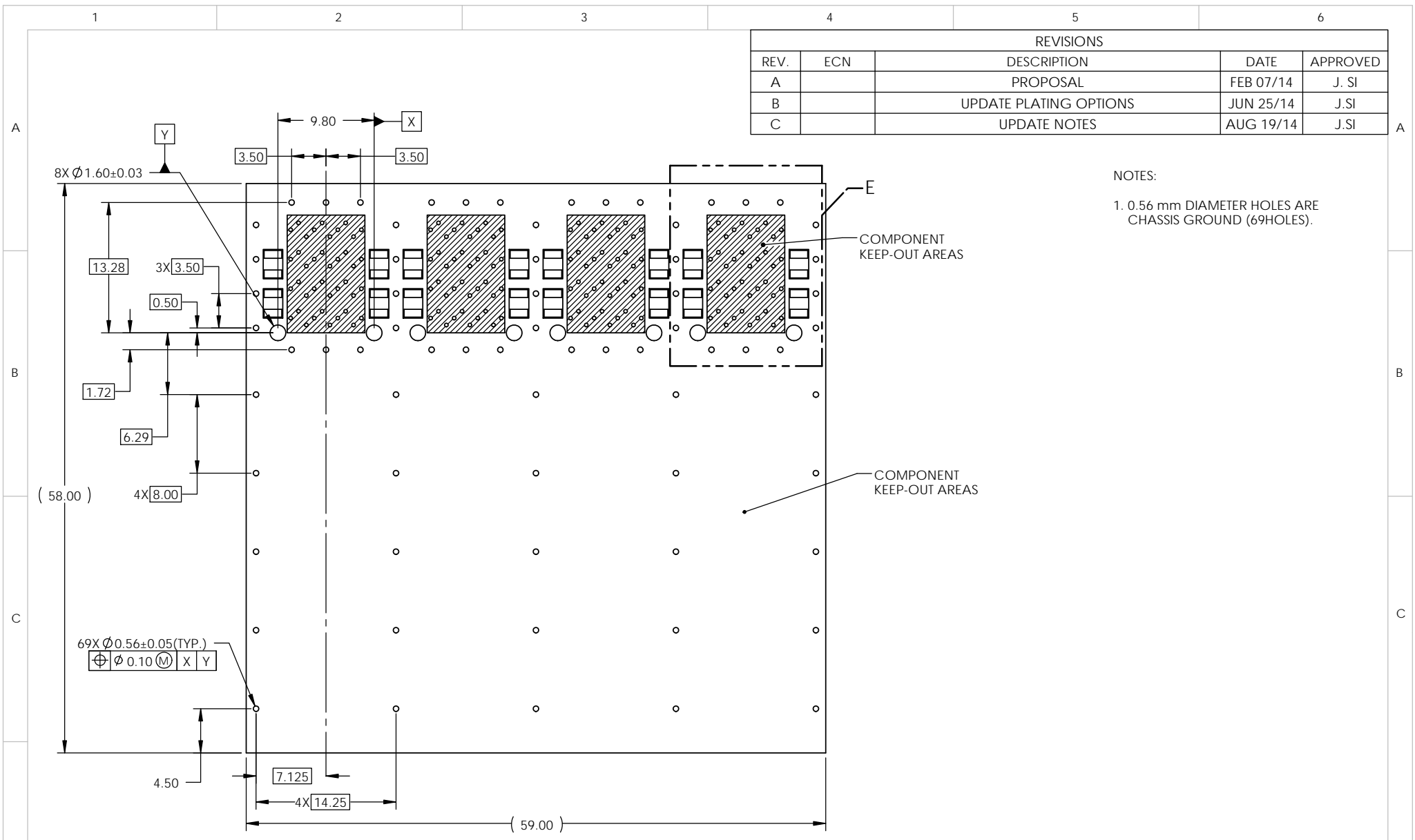
A
B
C
D



THIS DOCUMENT CONTAINS PROPRIETARY INFORMATION AND SUCH INFORMATION MAY NOT BE DISCLOSED TO OTHERS FOR ANY PURPOSE OR USED FOR MANUFACTURING PURPOSES WITHOUT WRITTEN PERMISSION FROM AMPHENOL CANADA CORP.

UNLESS SPECIFIED OTHERWISE	DRAWN	P. OU	FEB 07/14	Amphenol High Speed Interconnects A Division of Amphenol Corp. www.amphenolcanada.com 2X4 SFP ULTRAPORT WITH LIGHT PIPE OPTIONS AND EMI SPRING FINGER	DWG. NO. P-UE86-3G4620-X0X61 REV C
DIMENSIONS ARE IN MILLIMETERS	CHECKED	J. SI	FEB 07/14		
REFERENCE IN PARENTHESES	M.E. APP'D				
GENERAL TOLERANCES	Q.A. APP'D				
1 DECIMAL PLACE ±0.25	DWG APP'D	J. SI	FEB 07/14		
2 DECIMAL PLACE ±0.15	MATERIAL AND FINISH	SEE NOTES			
3 DECIMAL PLACE N/A	REF.	ECN Exxxxx			
ANGULAR DEGREES ±1°	THIRD ANGLE PROJECTION				
ENG. REL. NO.				DO NOT SCALE DRAWING	

1 2 3 4 5 6



REVISIONS				
REV.	ECN	DESCRIPTION	DATE	APPROVED
A		PROPOSAL	FEB 07/14	J. SI
B		UPDATE PLATING OPTIONS	JUN 25/14	J.SI
C		UPDATE NOTES	AUG 19/14	J.SI

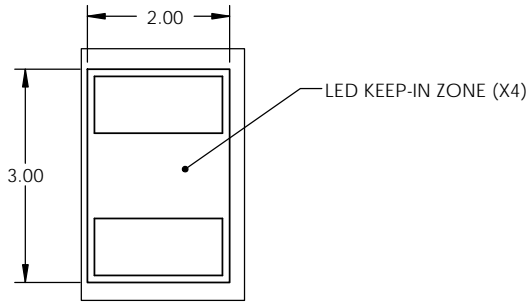
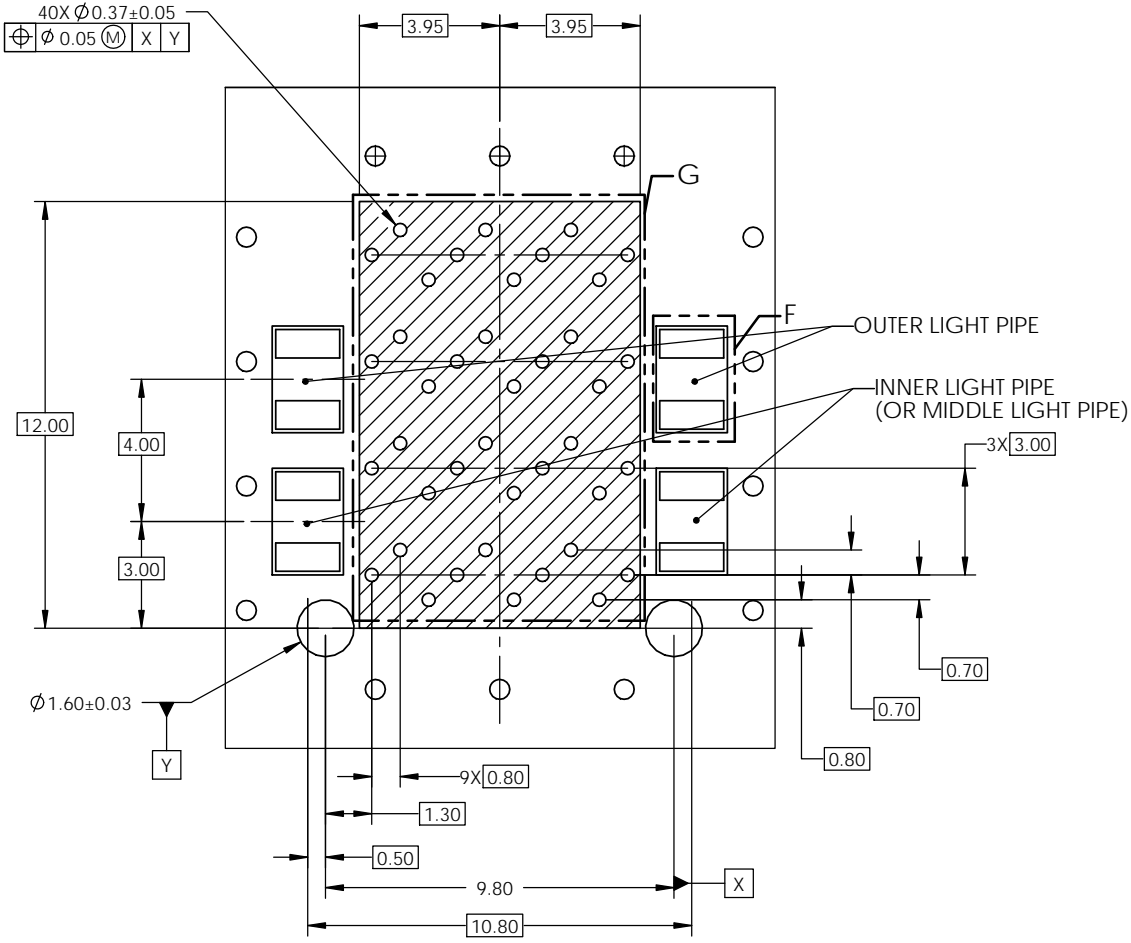
NOTES:
 1. 0.56 mm DIAMETER HOLES ARE CHASSIS GROUND (69HOLES).

2X4 PCB LAYOUT

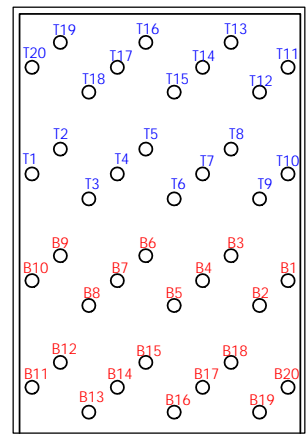
THIS DOCUMENT CONTAINS PROPRIETARY INFORMATION AND SUCH INFORMATION MAY NOT BE DISCLOSED TO OTHERS FOR ANY PURPOSE OR USED FOR MANUFACTURING PURPOSES WITHOUT WRITTEN PERMISSION FROM AMPHENOL CANADA CORP.

UNLESS SPECIFIED OTHERWISE DIMENSIONS ARE IN MILLIMETERS		DRAWN P. OU FEB 07/14	Amphenol High Speed Interconnects A Division of Amphenol Corp. www.amphenolcanada.com 2X4 SFP ULTRAPORT WITH LIGHT PIPE OPTIONS AND EMI SPRING FINGER	DWG. NO. P-UE86-3G4620-X0X61 REF. ECN Exxxxx	REV C
REFERENCE IN PARENTHESES		CHECKED J. SI FEB 07/14			
GENERAL TOLERANCES		M.E. APP'D			
1 DECIMAL PLACE ±0.25		Q.A. APP'D			
2 DECIMAL PLACE ±0.15		DWG APP'D J. SI FEB 07/14	CODE ID NO. 03554 DWG SIZE: A4 SCALE: 2:1 SHEET 4 OF 5		
3 DECIMAL PLACE N/A		MATERIAL AND FINISH SEE NOTES			
ANGULAR DEGREES ±1°		REF. ECN Exxxxx			
ENG. REL. NO.		THIRD ANGLE PROJECTION			

REVISIONS				
REV.	ECN	DESCRIPTION	DATE	APPROVED
A		PROPOSAL	FEB 07/14	J. SI
B		UPDATE PLATING OPTIONS	JUN 25/14	J.SI
C		UPDATE NOTES	AUG 19/14	J.SI



DETAIL F
SCALE 10 : 1



DETAIL G
SCALE 5 : 1

DETAIL E
SCALE 5 : 1

THIS DOCUMENT CONTAINS PROPRIETARY INFORMATION AND SUCH INFORMATION MAY NOT BE DISCLOSED TO OTHERS FOR ANY PURPOSE OR USED FOR MANUFACTURING PURPOSES WITHOUT WRITTEN PERMISSION FROM AMPHENOL CANADA CORP.

UNLESS SPECIFIED OTHERWISE	DRAWN	P. OU	FEB 07/14
DIMENSIONS ARE IN MILLIMETERS	CHECKED	J. SI	FEB 07/14
REFERENCE IN PARENTHESES	M.E. APP'D		
GENERAL TOLERANCES	Q.A. APP'D		
1 DECIMAL PLACE ±0.25	DWG APP'D	J. SI	FEB 07/14
2 DECIMAL PLACE ±0.15	MATERIAL AND FINISH	SEE NOTES	
3 DECIMAL PLACE N/A	REF.	ECN Exxxxx	
ANGULAR DEGREES ±1°	THIRD ANGLE PROJECTION	DO NOT SCALE DRAWING	
ENG. REL. NO.			

Amphenol High Speed Interconnects A Division of Amphenol Corp. www.amphenolcanada.com			
2X4 SFP ULTRAPORT WITH LIGHT PIPE OPTIONS AND EMI SPRING FINGER			
DWG. NO.	P-UE86-3G4620-X0X61		REV C
CODE ID NO.	03554	DWG SIZE: A4	SCALE: 2:1 SHEET 5 OF 5