

TYPE Q MALE CONNECTOR SERIES 21



PHYSICAL PROPERTIES

INSULATION MATERIAL: Glass filled thermoplastic rated UL 94V-0

COLOR: Gray

CONTACTS: Copper alloy, nickel plate overall, gold finish in contact zone. Tin/lead on solder tails, tin/lead or gold on posts.

ELECTRICAL PROPERTIES

CURRENT RATING: 2 Amps

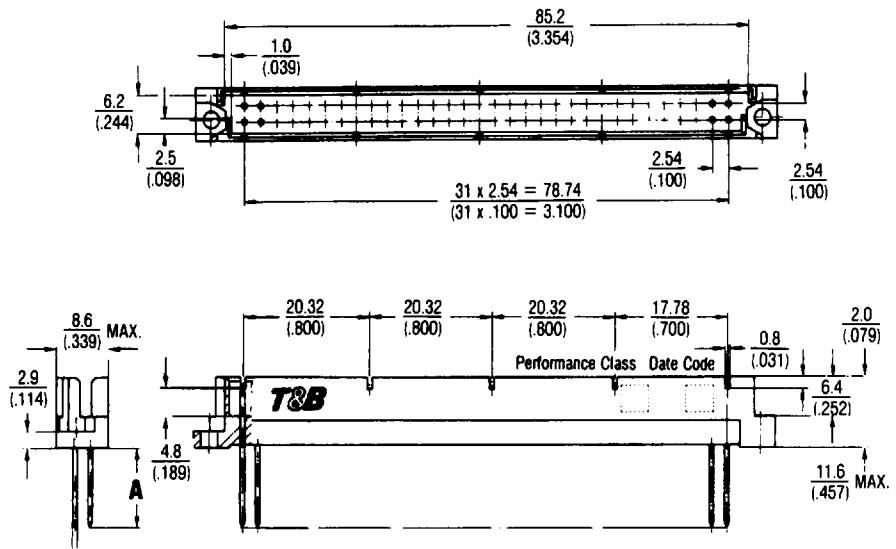
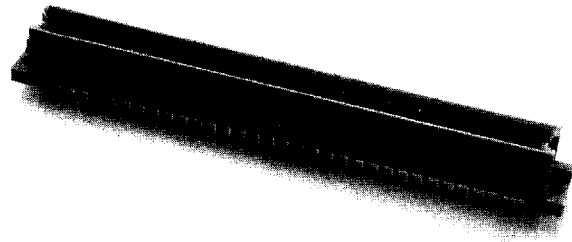
INSULATION RESISTANCE: $>1 \times 10^9$ Ohms

DIELECTRIC STRENGTH: >500 VDC at sea level

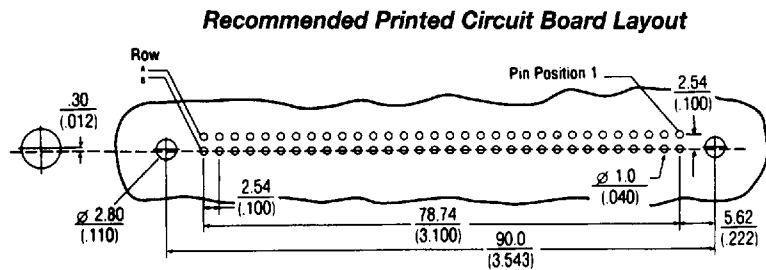
ENVIRONMENTAL PROPERTIES

TEMPERATURE RATING: -55°C TO 125°C

Extended length contacts available.
Consult factory for details.



X	PERFORMANCE LEVEL
1	level 1 - 500 mating cycles
8	level 2 - 400 mating cycles
4	level 3 - 50 mating cycles

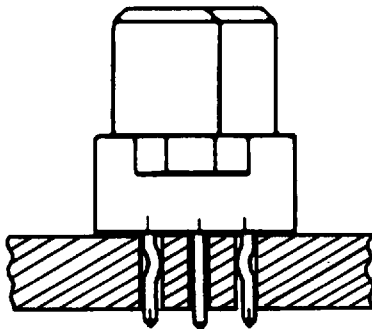


Ordering Information

NO. OF CONTACTS	CONTACT LOADING	CATALOG NO. SPECIFY X	TERMINATION STYLE	MM (INCHES)
32 64	a, b 2, 4, 6-32 a, b 1, 2, 3-32	211-63220-600X 211-66430-600X	A = 2.9 (.114)	<p>Solder Post 0.6 x 0.6 (.024 x .024)</p>
32 64	a, b 2, 4, 6-32 a, b 1, 2, 3-32	211-63220-700X 211-66430-700X	A = 4.5 (.177)	
64	a, b 1, 2, 3-32	211-66430-500X	A = 13.0 (.512)	<p>Wire Wrap Post 0.64 x 0.64 (.025 x .025)</p>

PCB RETENTION FEATURES TYPES Q AND R SERIES 21

Retention Leads

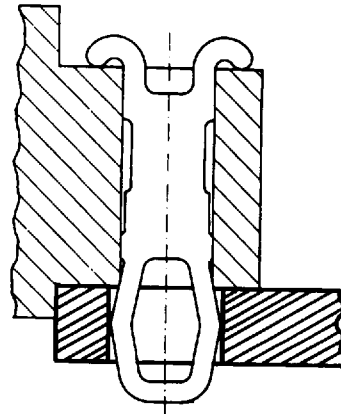


Ordering Information

21X-XXXXX-XXXXR

Add R to any Series 21 catalog number for retention leads. Consult factory for availability.

Retention Clips



Ordering Information

21X-XXXXX-XXXXC

Add C to any Series 21 catalog number for retention leads.