

Special Connectors

New Card Bus Single Slot Assembly

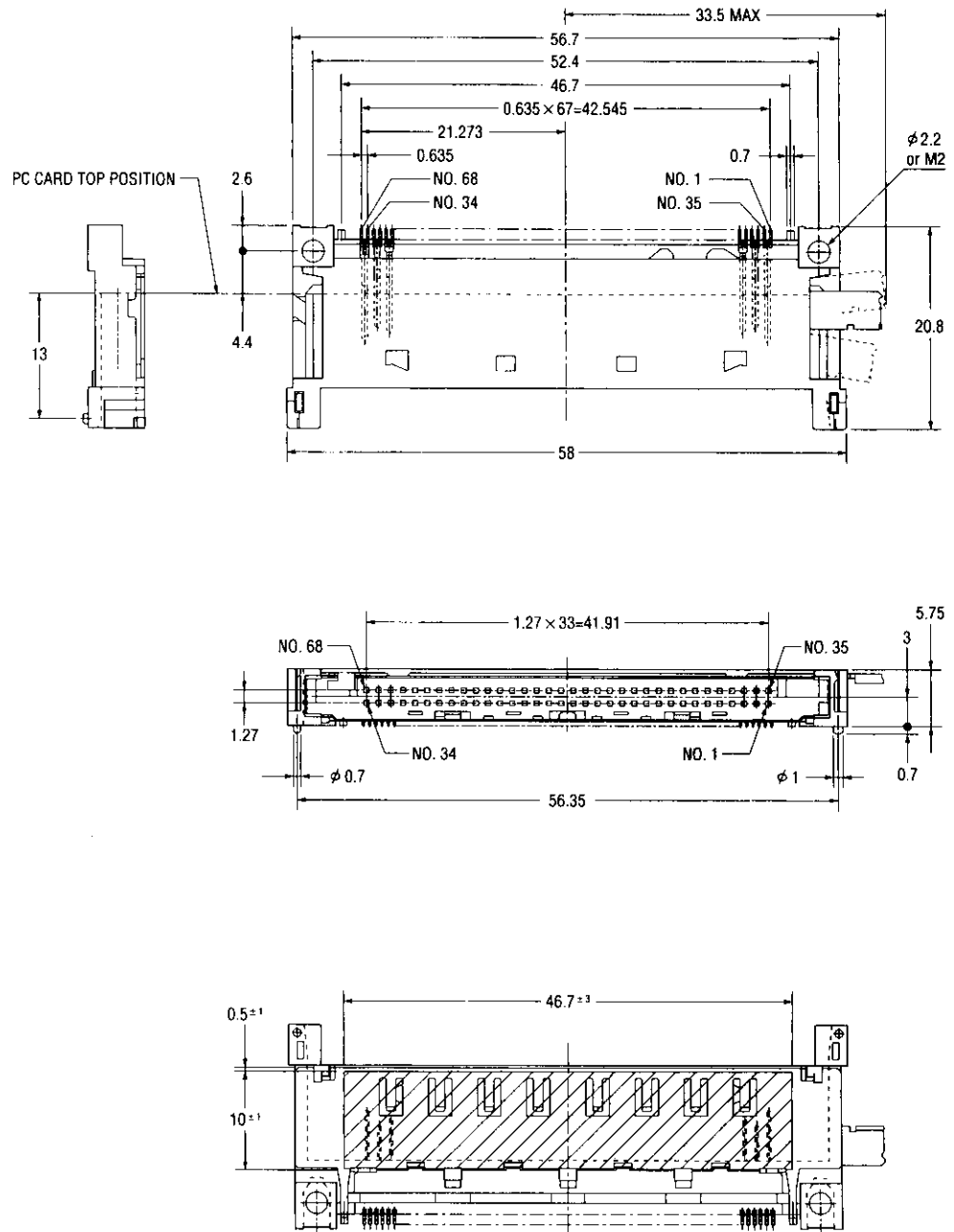
Bottom Mount Type

Left Header

Part Number : 1318922-1
1376275-1 (with unt)

Material and Finish :

Housing — Thermoplastic, black
 Contact — Copper Alloy, gold plated on contact area, all over underplated nickel
 Arm Bar, Shielding Shell — Stainless Steel



6